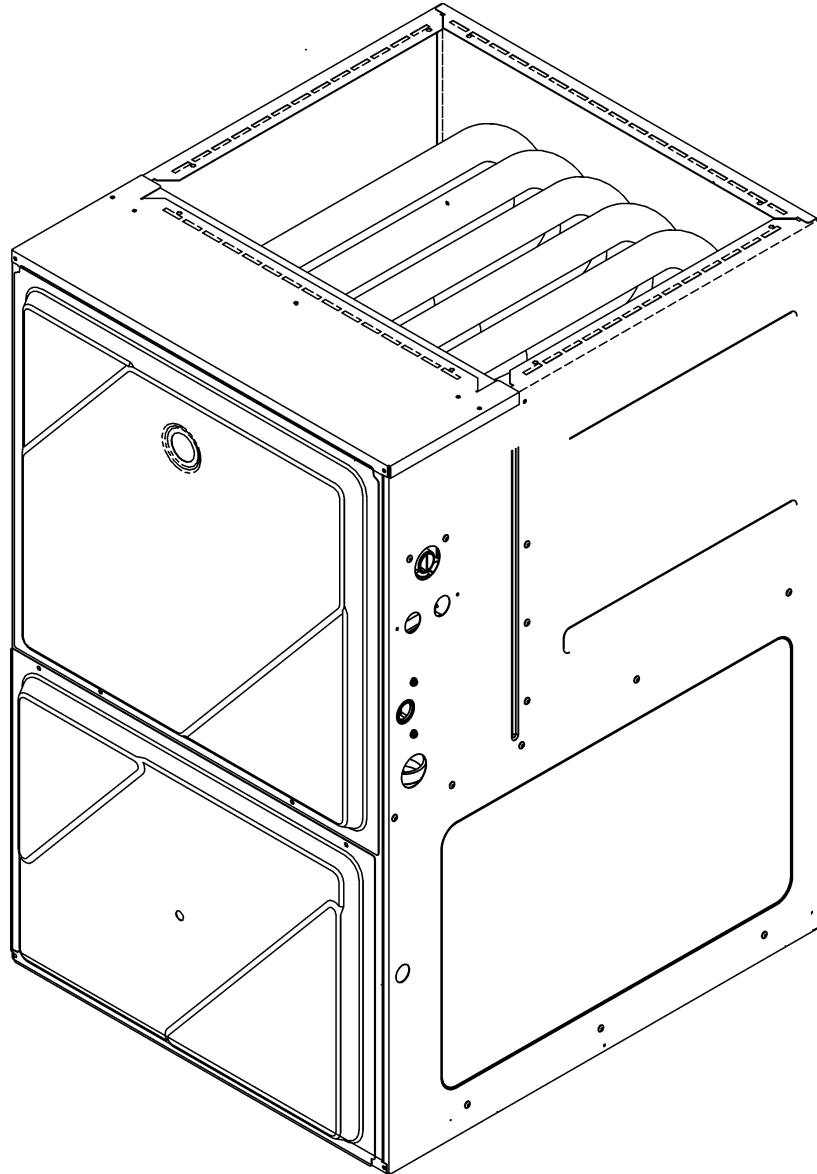




REPAIR PARTS

GCVM 97% ECM Counter Flow Furnace

GCVM970603BNAA
GCVM970803BNAA
GCVM970804CNAA
GCVM971005CNAA



This manual is to be used by qualified technicians only.

This manual replaces RP-G2001A.

© 2014-2015 Goodman Manufacturing Company, L.P. ♦ 5151 San Felipe St., Suite 500 ♦ Houston, TX 77056

Important Information

Index

Functional Parts List	3
Illustration and Parts	4 - 11

Views shown are for parts illustrations only, not servicing procedures

Rev B: updates primary limit controls

Text Codes:

AR - As Required

NA - Not Available

NS - Not Shown

00000000 - See Note

QTY - Quantity Example (QTY 3) (If Quantity not shown, Quantity = 1)

M - Model Example (M1) (If M Code not shown, then part is used on all Models)

Expanded Model Nomenclature:

Example M1 - Model#1 M2 - Model#2 M3 - Model#3

Goodman Manufacturing Company, L.P. is not responsible for personal injury or property damage resulting from improper service. Review all service information before beginning repairs.

Warranty service must be performed by an authorized technician, using authorized factory parts. If service is required after the warranty expires, Goodman Manufacturing Company, L.P. also recommends contacting an authorized technician and using authorized factory parts.

Goodman Manufacturing Company, L.P. reserves the right to discontinue, or change at any time, specifications or designs without notice or without incurring obligations.

For assistance within the U.S.A. contact:
Consumer Affairs Department
Goodman Manufacturing Company, L.P.
7401 Security Way
Houston, Texas 77040
877-254-4729-Telephone
713-863-2382-Facsimile

For assistance outside the U.S.A. contact:
International Division
Goodman Manufacturing Company, L.P.
7401 Security Way
Houston, Texas 77040
713-861-2500-Telephone
713-863-2382-Facsimile

Functional Parts

Part

No: Description:

20162904	*PRIMARY LIMIT-TEMPERATURE CONTROL (M2) *Refer to service bulletin SF-054
0130F00038	AUX LIMIT - LT BLUE 120° (QTY 2)
0163F00017	BECKETT BURNER (QTY 3)
0271F00161	BLOWER SHELL & WHEEL ASSY (M3, M4)
0271F00159	BLOWER SHELL & WHEEL ASSY (M1, M2)
0130F00393	DATA, FURNACE PCB (M1)
0130F00394	DATA, FURNACE PCB (M2)
0130F00395	DATA, FURNACE PCB (M3)
0130F00396	DATA, FURNACE PCB (M4)
0130F00010	FLAME SENSOR
0151M00024	GAS VALVE
0257F00282	HEAT EXCHANGER ASSY. (M2)
0257F00284	HEAT EXCHANGER ASSY. (M4)
0257F00311	HEAT EXCHANGER ASSY. (M1)
0257F00312	HEAT EXCHANGER ASSY. (M3)
0130F00008	IGNITOR-SINI 17 SEC
0130M00141	INDUCTOR, 5.9 AMPS (GMPE100-4) (M3, M4)
0130M00243	INTERLOCK SWITCH
10123529	MANUAL RESET R.O.S. LIMIT (QTY 2)
0131M00272	MOTOR, 1 HP, SERIAL ECM (M4)
0131M00270	MOTOR, 1/2 HP, SERIAL ECM (M1, M2)
0131M00271	MOTOR, 3/4 HP, SERIAL ECM (M3)
0171M00003	MOTOR-ID, BLOWER
PCBKF202	PCB, FURNACE CONTROL
20162901	PRESSURE LIMIT-RED (M3)
0130F00481	PRESSURE SWITCH (-.1 (COL BOX))
0130F00482	PRESSURE SWITCH (-.17 /-.86) (M1, M2, M3)
0130F00483	PRESSURE SWITCH (-.17 /-.86) (M4)
0130F00036	PRIMARY LIMIT - PINK (M1, M4)
0130M00140	TRANSFORMER 120V TO 24V, 40VA

SPECIAL PARTS

0161F00000P GOODMAN NAMEPLATE

Expanded Model Nomenclature

M1 - GCVM970603BNAA
M2 - GCVM970803BNAA
M3 - GCVM970804CNAA
M4 - GCVM971005CNAA

Cabinet

Image 1

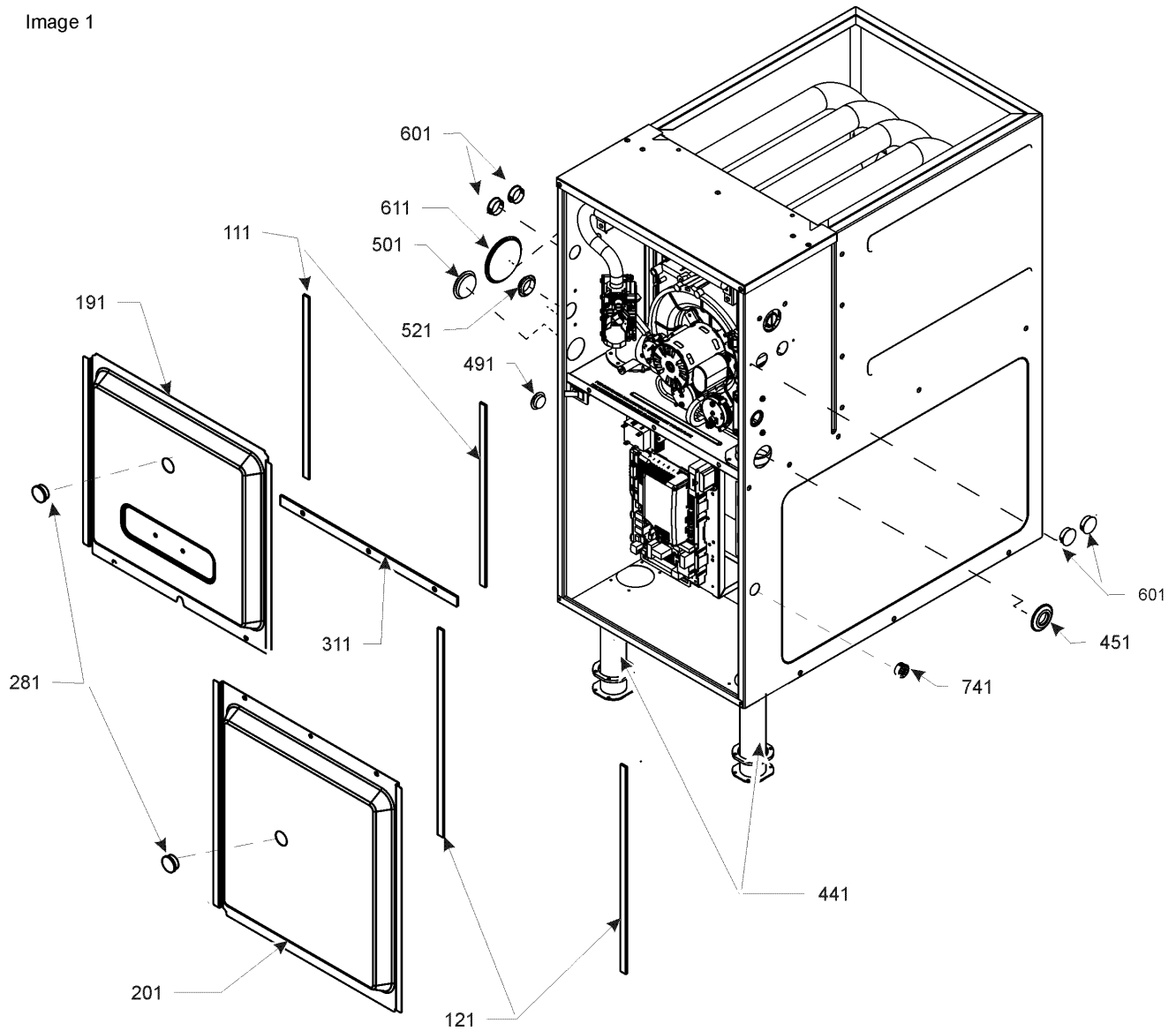
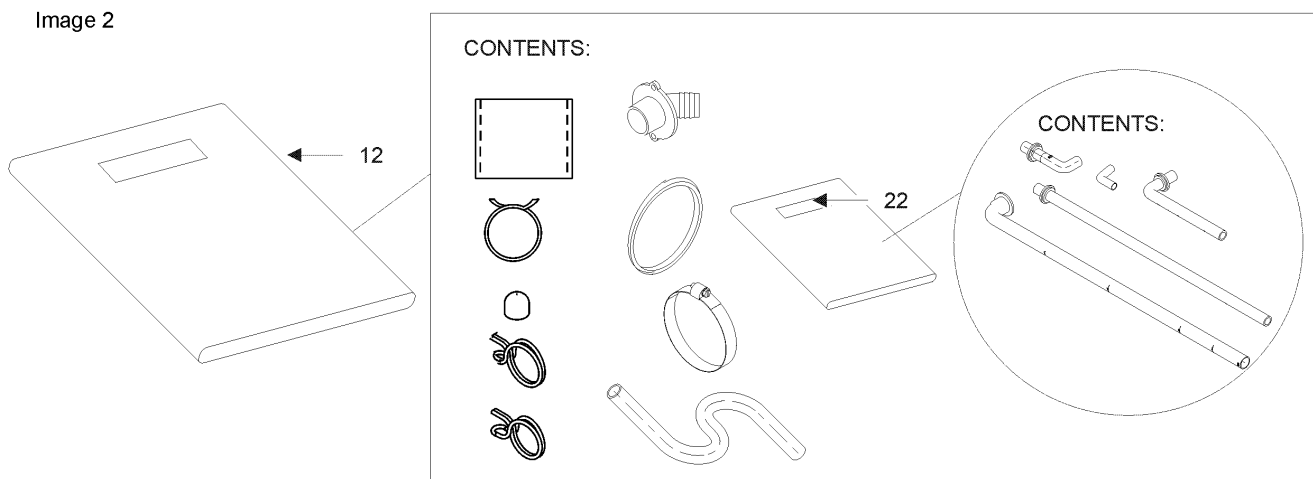


Image 2



Cabinet

Ref. Part No: No:	Description:	Ref. Part No: No:	Description:
-------------------	--------------	-------------------	--------------

Image 1:

111	0154F00024	GASKET (QTY 2)
121	0154F00025	GASKET (QTY 2)
191	0121F00291DG	DOOR, ACCESS 17.5 PNT (M1, M2)
191	0121F00292DG	DOOR, ACCESS 21 PNT (M3, M4)
201	0121F00288DG	DOOR, BLOWER 17.5 PNT (M1, M2)
201	0121F00289DG	DOOR, BLOWER 21 PNT (M3, M4)
281	B1392139	VIEW PORT BUSHING-BLOWER DOOR (QTY 2)
311	0154F00020	GASKET, DECK (M1, M2)
311	0154F00021	GASKET, DECK (M3, M4)
441	0161F00064	PIPE, STRAIGHT CF (QTY 2)
451	M0501301	PIPE GROMMET
491	M0570808	BUTTON PLUG
501	M0570806	BUTTON PLUG
521	0161M00027	PLUG, HOLE
611	0163M00049	HOSE CLAMP (QTY 2)
741	B1392104	UNIVERSAL BUSHING UB 875
NS	M0310345	BUTTON PLUG (QTY 2)
NS	M0570807	BUTTON PLUG
NS	0270F03125	CF DRAIN TUBE ASSY (M1, M2)
NS	0270F03126	CF DRAIN TUBE ASSY (M3, M4)
NS	0270F03514	CF DRAIN TUBE ASSY (M1, M2)
NS	0270F03515	CF DRAIN TUBE ASSY (M3, M4)
NS	0161F00046	DRAIN TRAP
NS	0161F00000P	GOODMAN NAMEPLATE
NS	M0209730	SCREW-DECORATIVE (QTY 3)

Image 2:

12	0270F03141	DRAIN PART BAG ASSY CF
22	0270F03139	BAG ASSY CF

Expanded Model Nomenclature

- M1 - GCVM970603BNAA
- M2 - GCVM970803BNAA
- M3 - GCVM970804CNAA
- M4 - GCVM971005CNAA

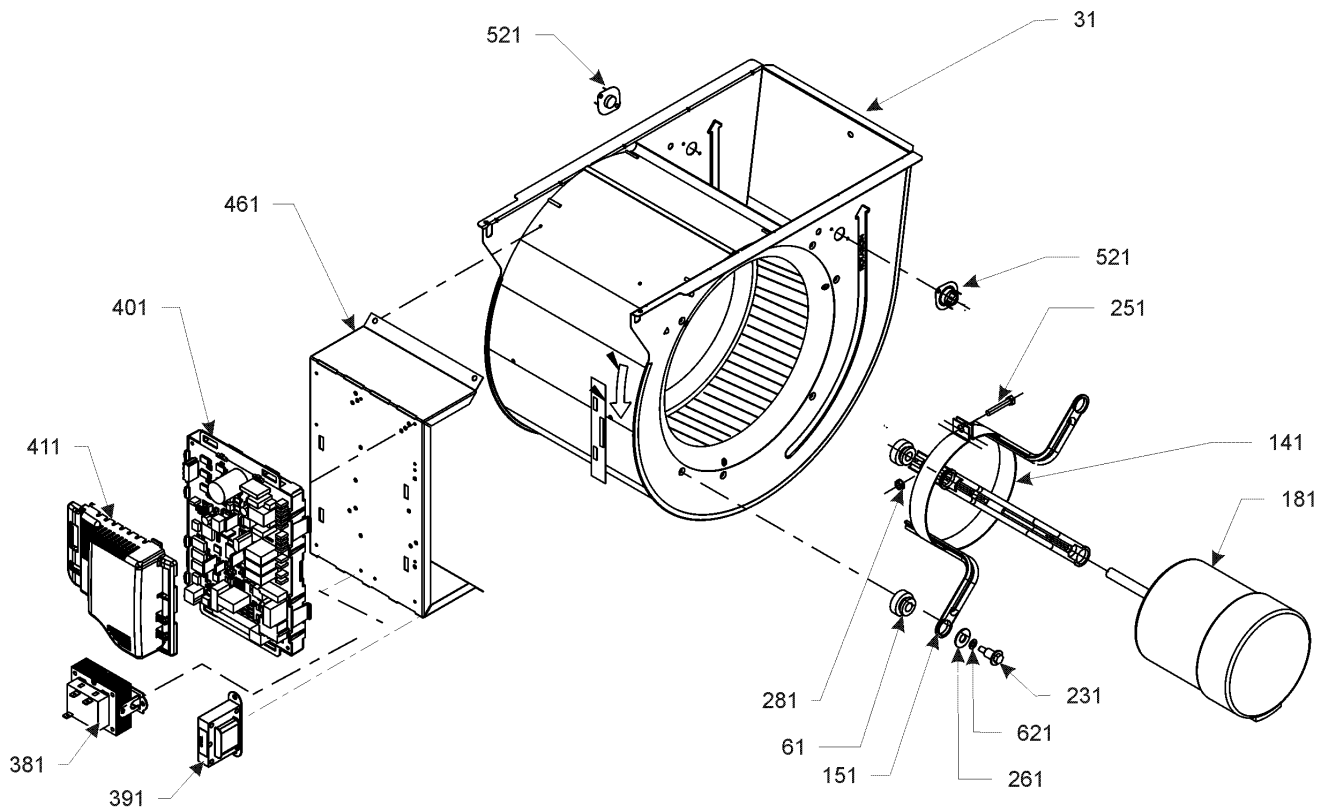
Blower Assembly

*If end bells are needed please order the following:

0131M00182 - 1/2 HP

0131M00183 - 3/4 HP

0131M00184 - 1 HP



Blower Assembly

Ref. Part No: No:	Description:	Ref. Part No: No:	Description:
Image 1:			
31	0271F00159		BLOWER SHELL & WHEEL ASSY (M1, M2)
31	0271F00161		BLOWER SHELL & WHEEL ASSY (M3, M4)
61	A4002702		BLOWER MOTOR GROMMET (M3, M4)
141	0121M00038		MOTOR MOUNT BAND (M1, M2)
141	10441601		MOTOR MOUNT BAND (M3, M4)
151	10441501		MOTOR MOUNT ARM (M3, M4)
151	B1376857		MOTOR MOUNT ARM (M1, M2)
181	0131M00272		MOTOR, 1 HP, SERIAL ECM (M4)
181	0131M00270		MOTOR, 1/2 HP, SERIAL ECM (M1, M2)
181	0131M00271		MOTOR, 3/4 HP, SERIAL ECM (M3)
231	M0221461		TC SCREW (M3, M4)
231	M0250565		TC SCREW 1.25" (M1, M2)
251	M0267144		MACHINE SCREW (M3, M4)
251	B1393323		MACHINE SCREW HWH 1/4-20 X 1-1/2 BZ (M1, M2)
261	B1392918		WASHER, FLAT 1/4 ID X 1 OD (M1, M2)
261	M0274008		WASHER-FLAT (M3, M4)
281	M0282015		KEPS NUT (M3, M4)
281	B1393800		LOCKNUT, NYLON, INSERT 1/4, 20 (M1, M2)
381	0130M00140		TRANSFORMER 120V TO 24V, 40VA
391	0130M00141		INDUCTOR, 5.9 AMPS (GMPE100-4) (M3, M4)
401	PCBKF202		PCB, FURNACE CONTROL
411	0161F00014		COVER, CONTROL BOARD
461	0121F00094		CONTROL MOUNT PANEL
521	0130F00038		AUX LIMIT - LT BLUE 120° (QTY 2)
621	B1392820		SLIT LOCK WASHER (M3, M4)
NS	0259F00040		CONTROL HARNESS
NS	0130F00393		DATA, FURNACE PCB (M1)
NS	0130F00394		DATA, FURNACE PCB (M2)
NS	0130F00395		DATA, FURNACE PCB (M3)
NS	0130F00396		DATA, FURNACE PCB (M4)
NS	B1392021		PLASTIC PLUG, 1" (2713-BLK) (QTY 4)
NS	0259F00041		POWER HARNESS HIGH VOLTAGE
NS	0259F00024		WIRE HARNESS-BLOWER

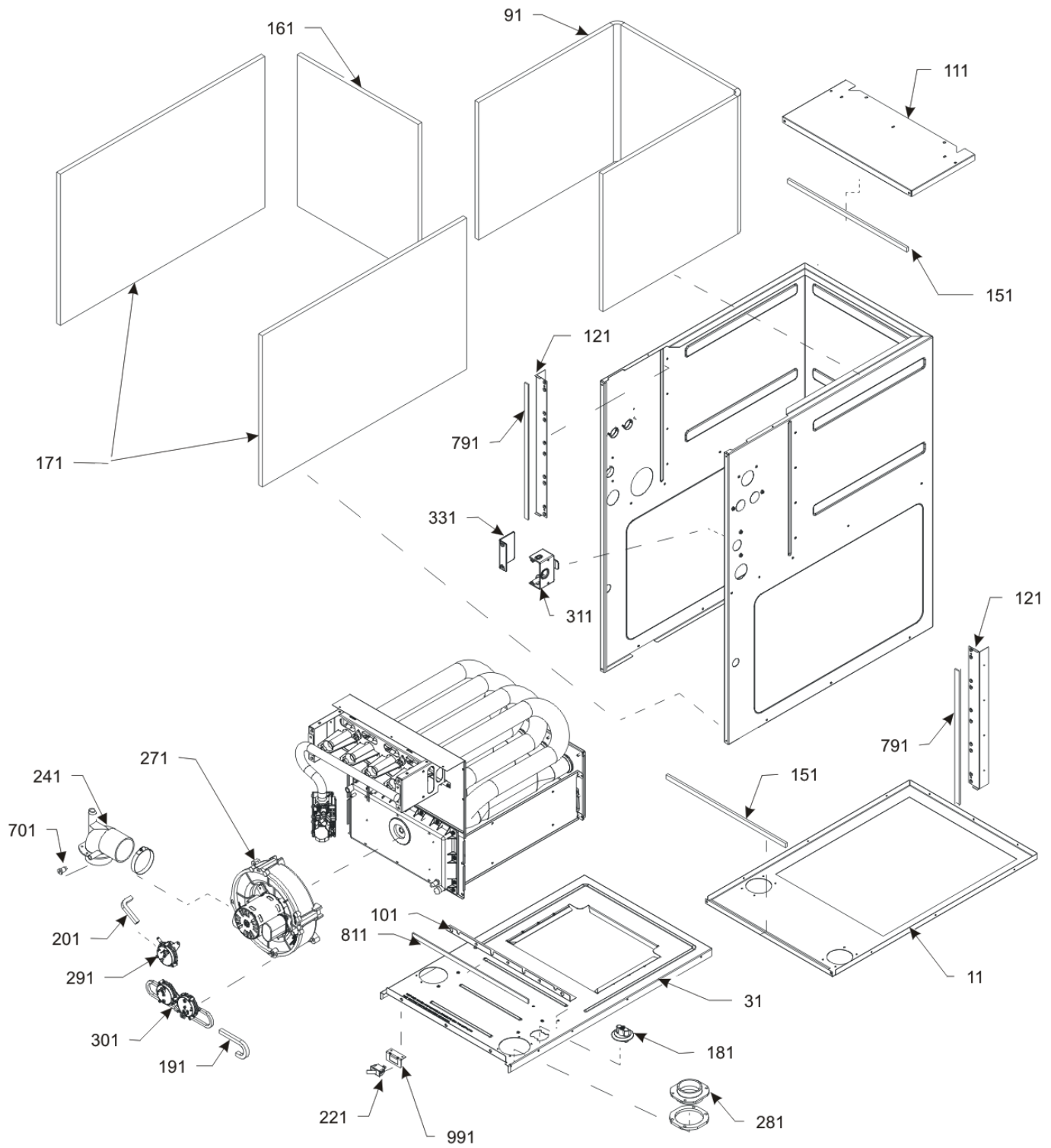
Expanded Model Nomenclature

M1 - GCVM970603BNAA
M2 - GCVM970803BNAA
M3 - GCVM970804CNAA
M4 - GCVM971005CNAA

*If end bells are needed please order the following:

0131M00182 - 1/2 HP
 0131M00183 - 3/4 HP
 0131M00184 - 1 HP

Chassis



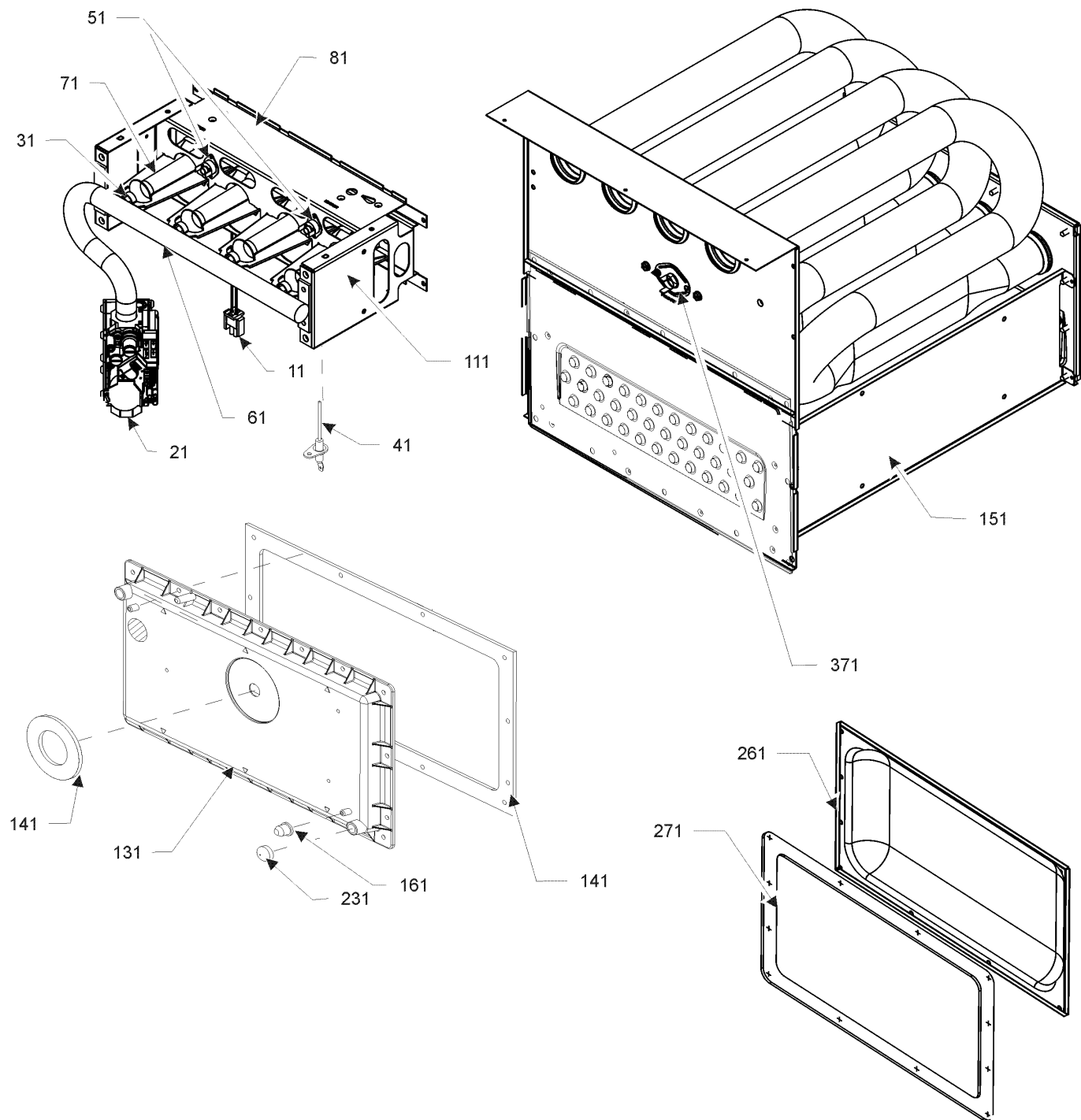
Chassis

Ref. Part No: No:	Description:	Ref. Part No: No:	Description:
Image 1:			
11	0121F00435DG		PAINTED BASE PAN-21" C (M3, M4)
11	0121F00427DG		PAINTED BASEPAN-17.5" CF (M1, M2)
31	0121F00425		DECK-BLOWER, 17.5" CF (M1, M2)
31	0121F00433		DECK-BLOWER, 21" CF (M3, M4)
91	0160F00015		INSULATION, HT EXCHANGER 17.5" (M1, M2)
91	0160F00016		INSULATION, HT EXCHANGER 21" (M3, M4)
101	0121F00314		ANGLE, DECK (M1, M2)
101	0121F00315		ANGLE, DECK (M3, M4)
111	0121F00426DG		TOP, PAINTED FURNACE 17.5" CF (M1, M2)
111	0121F00434DG		TOP, PAINTED FURNACE 21" CF (M3, M4)
121	0121F00313		ANGLE, SIDE (QTY 2)
151	20179309		GASKET-FA (M1, M2)
151	20179310		GASKET-FA (M3, M4)
161	0160F00012		INSULATION-BACK 17.5" (M1, M2)
161	0160F00013		INSULATION-BACK 21" (M3, M4)
171	0160F00018		INSULATION, SIDE (QTY 2)
181	0159F00050		HARNESS-WIRING
191	0164M00029		25" PRESSURE SWITCH HOSES (M3, M4)
191	0164M00012		PRESSURE SWITCH HOSE (M1, M2)
201	0164M00019		HOSE-PRESSURE SW 6"
221	0130M00243		INTERLOCK SWITCH
241	0164F00003		ELBOW-FLUE, 17.5" CFLOW (M1, M2)
241	0164F00004		ELBOW-FLUE, 21" CFLOW (M3, M4)
271	0171M00003		MOTOR-ID, BLOWER
281	0161F00037		COUPLING
291	0130F00481		PRESSURE SWITCH (-.1 (COL BOX))
301	0130F00482		PRESSURE SWITCH (-.17 /-.86) (M1, M2, M3)
301	0130F00483		PRESSURE SWITCH (-.17 /-.86) (M4)
311	0161F00042		JUNCTION BOX PLA
331	0161F00043		JUNCTION BOX LID
701	M0326804		PLUG-TUBE
791	0154F00015		GASKET (QTY 2)
811	0154F00014		GASKET (M1, M2)
811	0154F00016		GASKET (M3, M4)
991	0121F00389		BRACKET, DOOR SWITCH
NS	0164M00008		PRESSURE SWITCH HOSE (M3, M4)

Expanded Model Nomenclature

M1 - GCVM970603BNAA
M2 - GCVM970803BNAA
M3 - GCVM970804CNAA
M4 - GCVM971005CNAA

Heat Exchanger / Manifold / Gas Valve



Heat Exchanger / Manifold / Gas Valve

Ref. Part No: No:	Description:	Ref. Part No: No:	Description:
<i>Image 1:</i>			
11	0130F00008		IGNITOR-SINI 17 SEC
21	0151M00024		GAS VALVE
31	0163F00004		ORIFICE (QTY 3)
41	0130F00010		FLAME SENSOR
51	10123529		MANUAL RESET R.O.S. LIMIT (QTY 2)
61	0163F00008		MANIFOLD (M1)
61	0163F00009		MANIFOLD (M3)
61	0163F00010		MANIFOLD (M4)
61	0163F00014		MANIFOLD (M2)
71	0163F00017		BECKETT BURNER (QTY 3)
81	0121F00455		BRACKET-BURNER 3 (M1)
81	0121F00454		BRACKET-BURNER 4 (M2, M3)
81	0121F00453		BRACKET-BURNER 5 (M4)
111	0121F00458		ORIFICE BRACKET-BURNER 3 (M1)
111	0121F00457		ORIFICE BRACKET-BURNER 4 (M2, M3)
111	0121F00452		ORIFICE BRACKET-BURNER 5 (M4)
131	0161F00027		COVER, FRONT (M4)
131	0161F00031		COVER, FRONT (M2)
131	0161F00056		COVER, FRONT (M1)
131	0161F00065		COVER, FRONT (M3)
141	0154F00011		GASKET, FRONT (M1, M2)
141	0154F00012		GASKET, FRONT (M3, M4)
151	0257F00282		HEAT EXCHANGER ASSY. (M2)
151	0257F00284		HEAT EXCHANGER ASSY. (M4)
151	0257F00311		HEAT EXCHANGER ASSY. (M1)
151	0257F00312		HEAT EXCHANGER ASSY. (M3)
161	M0326804		TUBE PLUG
231	A1781105		CAP-VINYL .500
261	0121F00317		COVER, REAR (M1, M2)
261	0121F00318		COVER, REAR (M3, M4)
271	0154F00037		GASKET, REAR CVR (M1, M2)
271	0154F00038		GASKET, REAR CVR (M3, M4)
371	20162904		*PRIMARY LIMIT-TEMPERATURE CONTROL (M2) *Refer to service bulletin SF-054
371	20162901		PRESSURE LIMIT-RED (M3)
371	0130F00036		PRIMARY LIMIT - PINK (M1, M4)
NS	0121F00439		PRIMARY LIMIT-HEAT SHIELD
NS	0121F00355		SHIELD, COIL (QTY 2)

Expanded Model Nomenclature

M1 - GCVM970603BNAA
M2 - GCVM970803BNAA
M3 - GCVM970804CNAA
M4 - GCVM971005CNAA