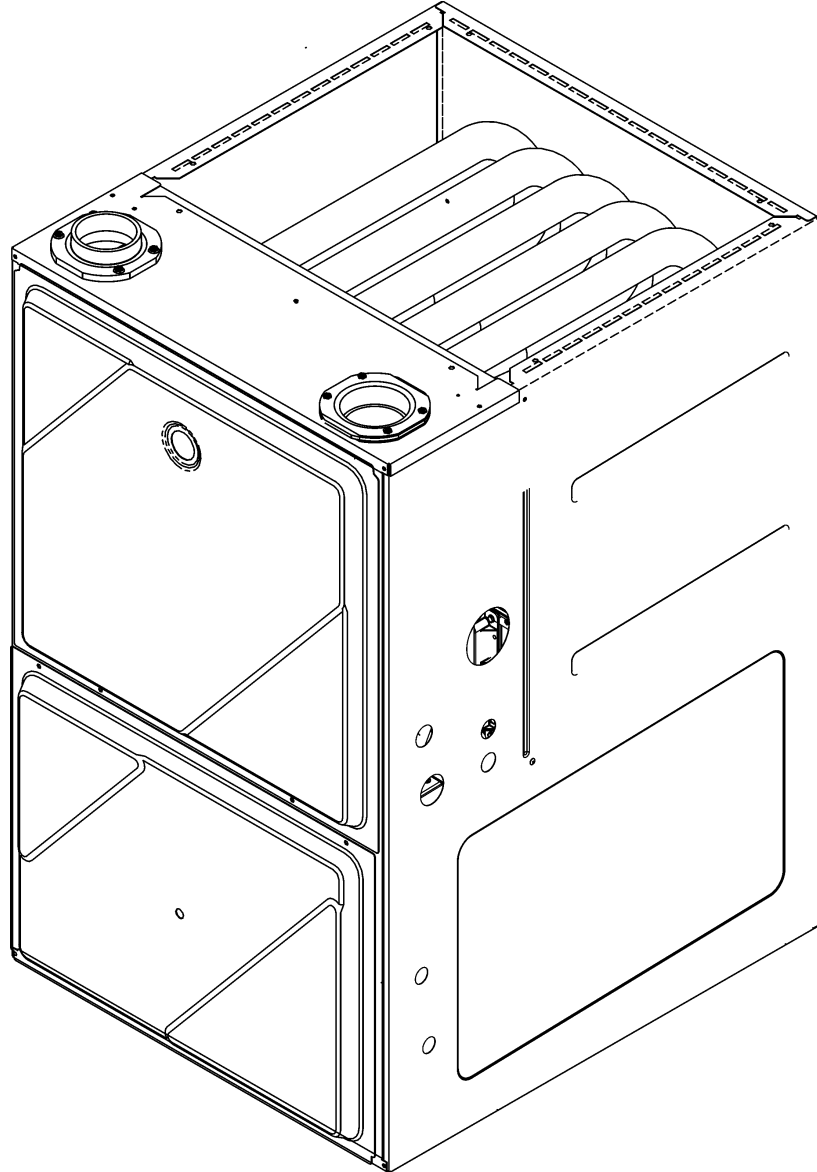


GMVC 96% ECM Up Flow Furnace

GMVC960403BNAA
GMVC960603BNAA
GMVC960803BNAA
GMVC960804CNAA
GMVC961005CNAA
GMVC961205DNAA



This manual is to be used by qualified technicians only.

This manual replaces RP-G2002A.

© 2014-2015 Goodman Manufacturing Company, L.P. ♦ 5151 San Felipe St., Suite 500 ♦ Houston, TX 77056

Important Information

Index

Functional Parts List	3
Illustration and Parts	4 - 11

Views shown are for parts illustrations only, not servicing procedures

Text Codes:

AR - As Required

NA - Not Available

NS - Not Shown

00000000 - See Note

QTY - Quantity Example (QTY 3) (If Quantity not shown, Quantity = 1)

M - Model Example (M1) (If M Code not shown, then part is used on all Models)

Expanded Model Nomenclature:

Example M1 - Model#1 M2 - Model#2 M3 - Model#3

Goodman Manufacturing Company, L.P. is not responsible for personal injury or property damage resulting from improper service. Review all service information before beginning repairs.

Warranty service must be performed by an authorized technician, using authorized factory parts. If service is required after the warranty expires, Goodman Manufacturing Company, L.P. also recommends contacting an authorized technician and using authorized factory parts.

Goodman Manufacturing Company, L.P. reserves the right to discontinue, or change at any time, specifications or designs without notice or without incurring obligations.

For assistance within the U.S.A. contact:
Consumer Affairs Department
Goodman Manufacturing Company, L.P.
7401 Security Way
Houston, Texas 77040
877-254-4729-Telephone
713-863-2382-Facsimile

For assistance outside the U.S.A. contact:
International Division
Goodman Manufacturing Company, L.P.
7401 Security Way
Houston, Texas 77040
713-861-2500-Telephone
713-863-2382-Facsimile

Functional Parts

Part No: **Description:**

20162904 *PRIMARY LIMIT-TEMPERATURE CONTROL (M1, M2, M3, M4)
 *Refer to service bulletin SF-054r1

0130F00038 AUX LIMIT - LT BLUE 120° (QTY 2)

0163F00017 BECKETT BURNER (QTY A/R)

0271F00161 BLOWER SHELL & WHEEL ASSY (M4, M5)

0271F00159 BLOWER SHELL & WHEEL ASSY (M2, M3)

0271F00163 BLOWER SHELL & WHEEL ASSY (M6)

0130F00286 DATA, FURNACE PCB (M1)

0130F00287 DATA, FURNACE PCB (M2)

0130F00288 DATA, FURNACE PCB (M3)

0130F00289 DATA, FURNACE PCB (M4)

0130F00290 DATA, FURNACE PCB (M5)

0130F00291 DATA, FURNACE PCB (M6)

0130F00010 FLAME SENSOR

0151M00027 GAS VALVE

0257F00333 HEAT EXCHANGER ASSY (M6)

0257F00280 HEAT EXCHANGER ASSY (M5)

0257F00240 HEAT EXCHANGER ASSY (M4)

0257F00239 HEAT EXCHANGER ASSY (M3)

0257F00236 HEAT EXCHANGER ASSY (M1)

0257F00231 HEAT EXCHANGER ASSY (M2)

0130F00008 IGNITOR-SINI 17 SEC

0130M00141 INDUCTOR, 5.9 AMPS (GMPE100-4) (M4, M5, M6)

0130M00243 INTERLOCK SWITCH

0130F00123 MANUAL RESET R.O.S LIMIT (M3, M4)

10123527 MANUAL RESET R.O.S LIMIT (M6)

10123539 MANUAL RESET R.O.S LIMIT (M1, M2)

10123534 MANUAL RESET R.O.S LIMIT (M5)

0131M00272 MOTOR, 1 HP, SERIAL ECM (M5, M6)

0131M00270 MOTOR, 1/2 HP, SERIAL ECM (M1, M2, M3)

0131M00271 MOTOR, 3/4 HP, SERIAL ECM (M4)

PCBKF104 PCB, CONTROL, FURNACE

0130F00481 PRESSURE SWITCH (-.1 (COL BOX)) (M2, M3, M4, M5, M6)

0130F00472 PRESSURE SWITCH (-.67 / -1.15) (M5)

0130F00471 PRESSURE SWITCH (-.72 / -.97) (M1)

0130F00474 PRESSURE SWITCH (-.72 / -1.47) (M3, M4)

0130F00444 PRESSURE SWITCH (-.76 / -1.25) (M6)

0130F00473 PRESSURE SWITCH (-.92 / -1.47) (M2)

0130F00036 PRIMARY LIMIT - PINK 180° (M6)

20162906 PRIMARY LIMIT - WHITE (M5)

0130M00140 TRANSFORMER 120V TO 24V, 40VA

0150M00043 WHEEL, BLOWER (10 X 8) (M1)

Expanded Model Nomenclature

M1 - GMVC960403BNAA
M2 - GMVC960603BNAA
M3 - GMVC960803BNAA
M4 - GMVC960804CNAA
M5 - GMVC961005CNAA
M6 - GMVC961205DNAA

SPECIAL PARTS

0161F00000P GOODMAN NAMEPLATE

Cabinet

Image 1

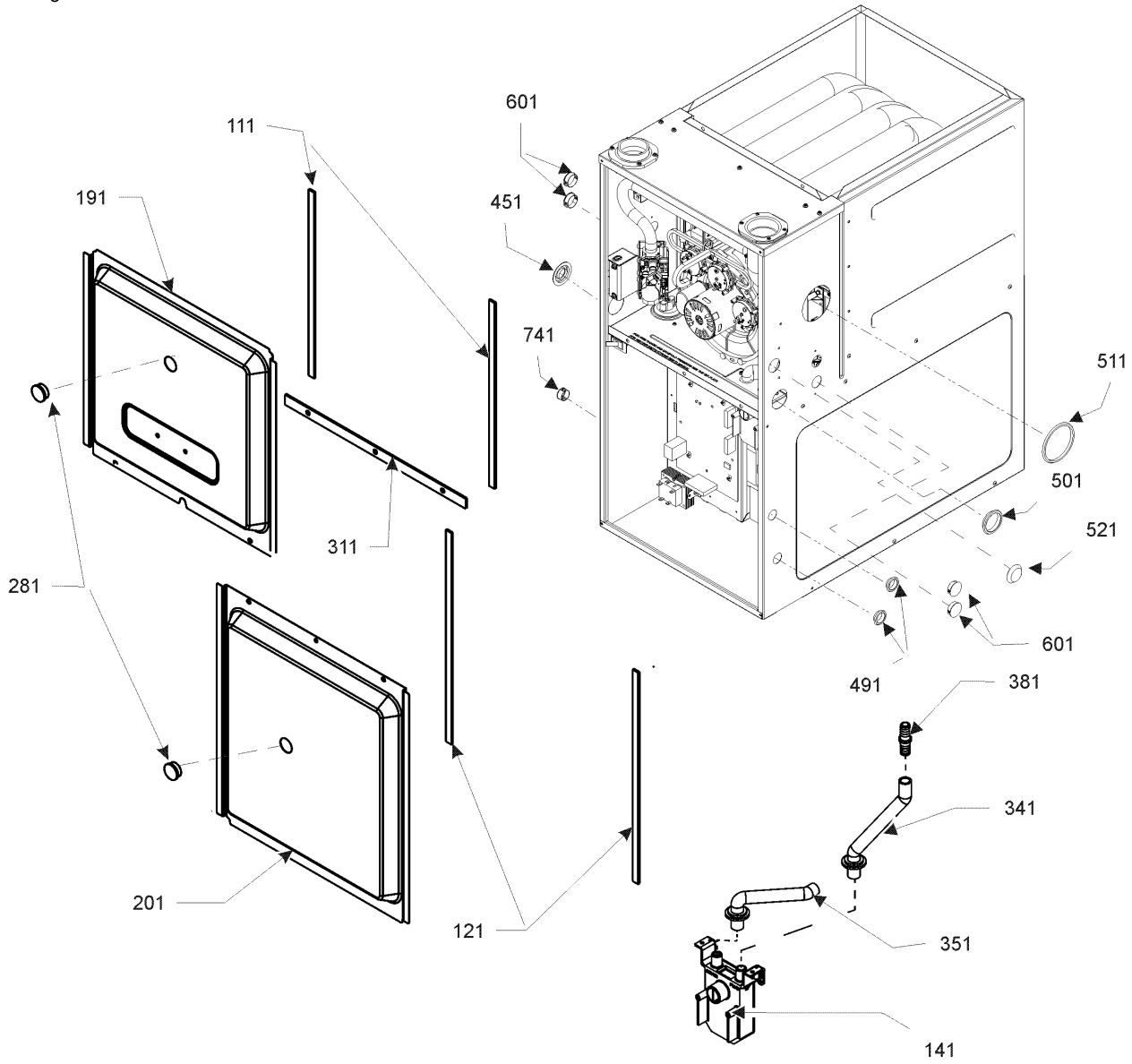
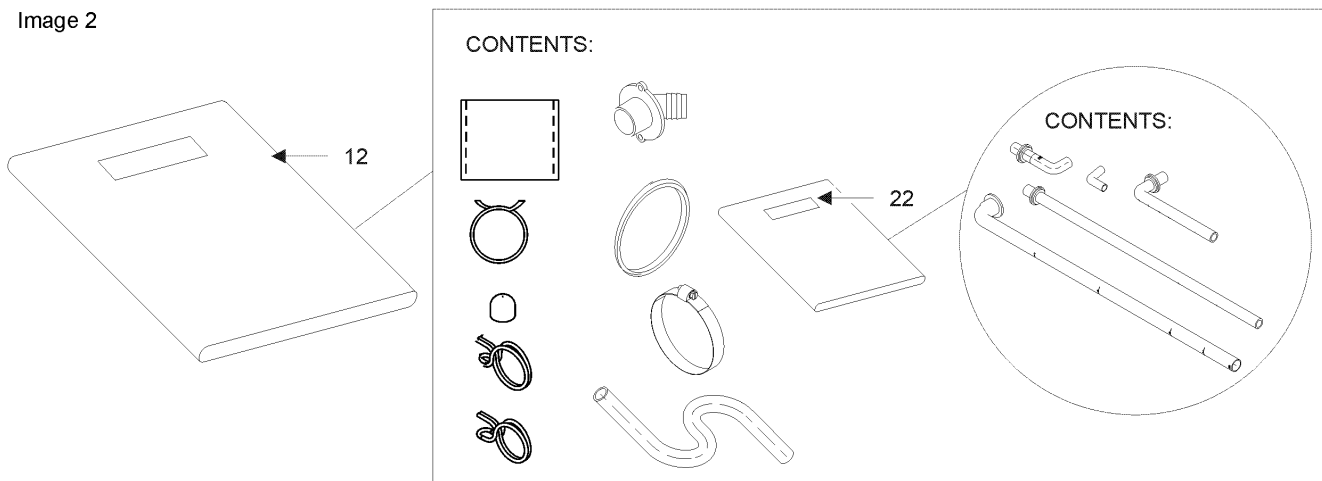


Image 2



Cabinet

Ref. Part No:	No:	Description:	Ref. Part No:	No:	Description:
Image 1:					
111	0154F00024	GASKET (QTY 2)			
121	0154F00025	GASKET (QTY 2)			
141	0161F00046	DRAIN TRAP			
191	0121F00291DG	DOOR, ACCESS 17.5 (M1, M2, M3)			
191	0121F00292DG	DOOR, ACCESS 21 (M4, M5)			
191	0121F00293DG	DOOR, ACCESS 24.5 (M6)			
201	0121F00288DG	DOOR, BLOWER 17.5 (M1, M2, M3)			
201	0121F00289DG	DOOR, BLOWER 21 (M4, M5)			
201	0121F00290DG	DOOR, BLOWER 24.5 (M6)			
281	B1392139	VIEW PORT BUSHING-BLOWER DOOR (QTY 2)			
311	0154F00020	GASKET, DECK (M1, M2, M3)			
311	0154F00021	GASKET, DECK (M4, M5)			
311	0154F00022	GASKET, DECK (M6)			
341	0164F00017	HOSE-ELBOW/TRAP			
351	0164F00006	HOSE, COVER/TRAP			
381	0161F00047	COUPLING, HOSE BARBED			
451	M0501301	PIPE GROMMET			
491	M0570808	BUTTON PLUG (QTY 3)			
501	M0570806	BUTTON PLUG			
511	M0570807	BUTTON PLUG			
521	0161M00027	PLUG, HOLE			
601	B1392021	PLASTIC PLUG, 1" (2713-BLK) (QTY 4)			
741	B1392104	UNIVERSAL BUSHING UB 875			
NS	M0310345	BUTTON PLUG (QTY 2)			
NS	0161F00000P	GOODMAN NAMEPLATE			
NS	0163M00049	HOSE CLAMP (QTY 3)			
NS	M0209730	SCREW-DECORATIVE (QTY 3)			

Image 2:

12	0270F03140	DRAIN PART BAG ASSY UF
22	0270F03138	BAG ASSY UF

Expanded Model Nomenclature

- | |
|---------------------|
| M1 - GMVC960403BNAA |
| M2 - GMVC960603BNAA |
| M3 - GMVC960803BNAA |
| M4 - GMVC960804CNAA |
| M5 - GMVC961005CNAA |
| M6 - GMVC961205DNAA |

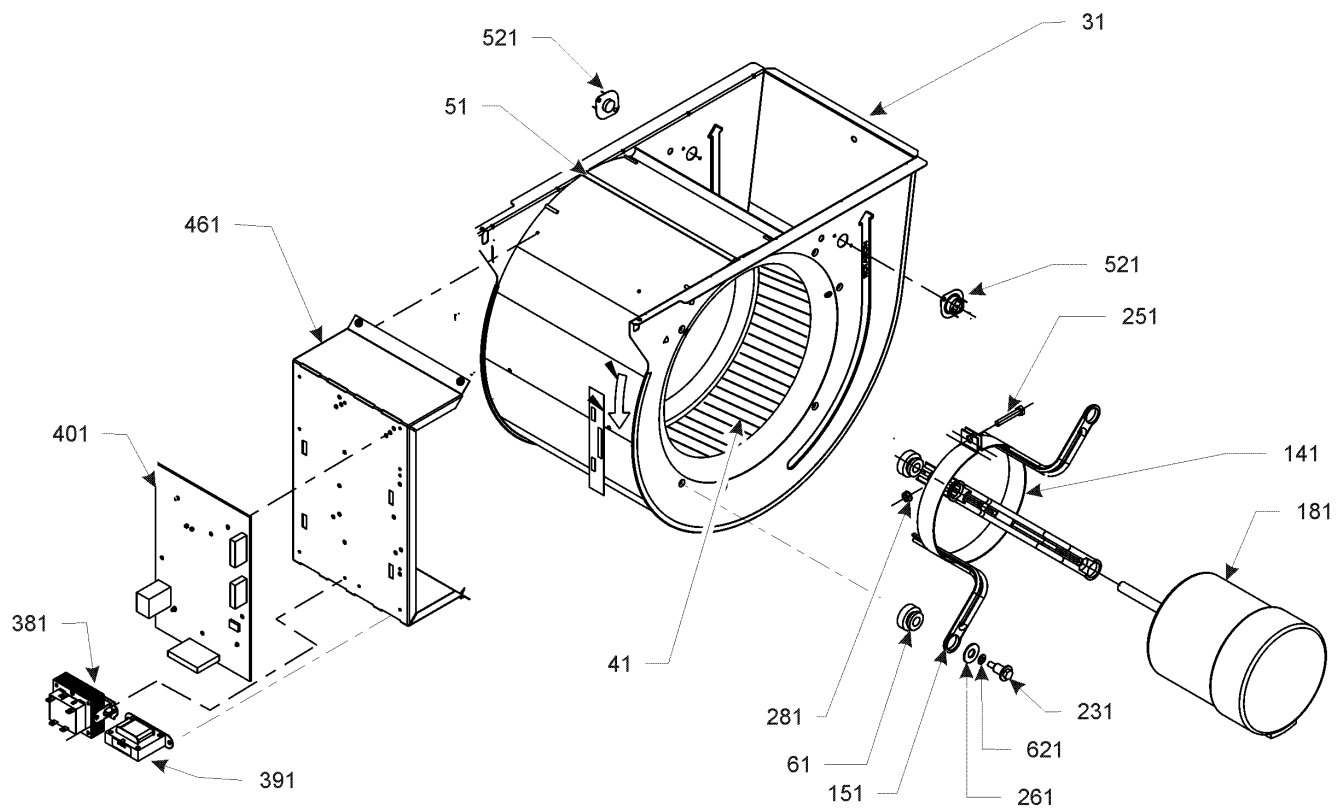
Blower Assembly

*If end bells are needed please order the following:

0131M00182 - 1/2 HP

0131M00183 - 3/4 HP

0131M00184 - 1 HP



Blower Assembly

Ref. Part No:	Ref. Part No:	Description:	Description:
Image 1:			
31	0271F00181	BLOWER HSG ASSY (M1)	
31	0271F00159	BLOWER SHELL & WHEEL ASSY (M2, M3)	
31	0271F00161	BLOWER SHELL & WHEEL ASSY (M4, M5)	
31	0271F00163	BLOWER SHELL & WHEEL ASSY (M6)	
41	0150M00043	WHEEL, BLOWER (10 X 8) (M1)	
51	764740	BLOWER BLOCK-OFF 10 X 8 (M1)	
61	A4002702	BLOWER MOTOR GROMMET (M4, M5, M6)	
141	0121M00038	MOTOR MOUNT BAND (M1, M2, M3)	
141	10441601	MOTOR MOUNT BAND (M4, M5, M6)	
151	10441501	MOTOR MOUNT ARM (M4, M5, M6)	
151	B1376857	MOTOR MOUNT ARM (M1, M2, M3)	
181	0131M00272	MOTOR, 1 HP, SERIAL ECM (M5, M6)	
181	0131M00270	MOTOR, 1/2 HP, SERIAL ECM (M1, M2, M3)	
181	0131M00271	MOTOR, 3/4 HP, SERIAL ECM (M4)	
231	M0221461	TC SCREW (M4, M5, M6)	
231	M0250565	TC SCREW 1.25" (M1, M2, M3)	
251	M0267144	MACHINE SCREW (M4, M5, M6)	
251	B1393323	MACHINE SCREW HWH 1/4-20 X 1-1/2 BZ (M1, M2, M3)	
261	B1392918	WASHER, FLAT 1/4 ID X 1 OD (M1, M2, M3)	
261	M0274008	WASHER-FLAT (M4, M5, M6)	
281	M0282015	KEPS NUT (M4, M5, M6)	
281	B1393800	LOCKNUT, NYLON, INSERT 1/4, 20 (M1, M2, M3)	
381	0130M00140	TRANSFORMER 120V TO 24V, 40VA	
391	0130M00141	INDUCTOR, 5.9 AMPS (GMPE100-4) (M4, M5, M6)	
401	PCBKF104	PCB, CONTROL, FURNACE	
461	0121F00464	MOUNTING PLATE-CONTROLS	
521	0130F00038	AUX LIMIT - LT BLUE 120° (QTY 2)	
621	B1392820	WASHER, SPLIT LOCK 1/4 BZ (M4, M5, M6)	
NS	0259F00040	CONTROL HARNESS	
NS	0130F00286	DATA, FURNACE PCB (M1)	
NS	0130F00287	DATA, FURNACE PCB (M2)	
NS	0130F00288	DATA, FURNACE PCB (M3)	
NS	0130F00289	DATA, FURNACE PCB (M4)	
NS	0130F00290	DATA, FURNACE PCB (M5)	
NS	0130F00291	DATA, FURNACE PCB (M6)	
NS	B1392021	PLASTIC PLUG, 1" (2713-BLK) (QTY 4)	
NS	0259F00041	POWER HARNESS HIGH VOLTAGE	
NS	0259F00024	WIRE HARNESS-BLOWER	

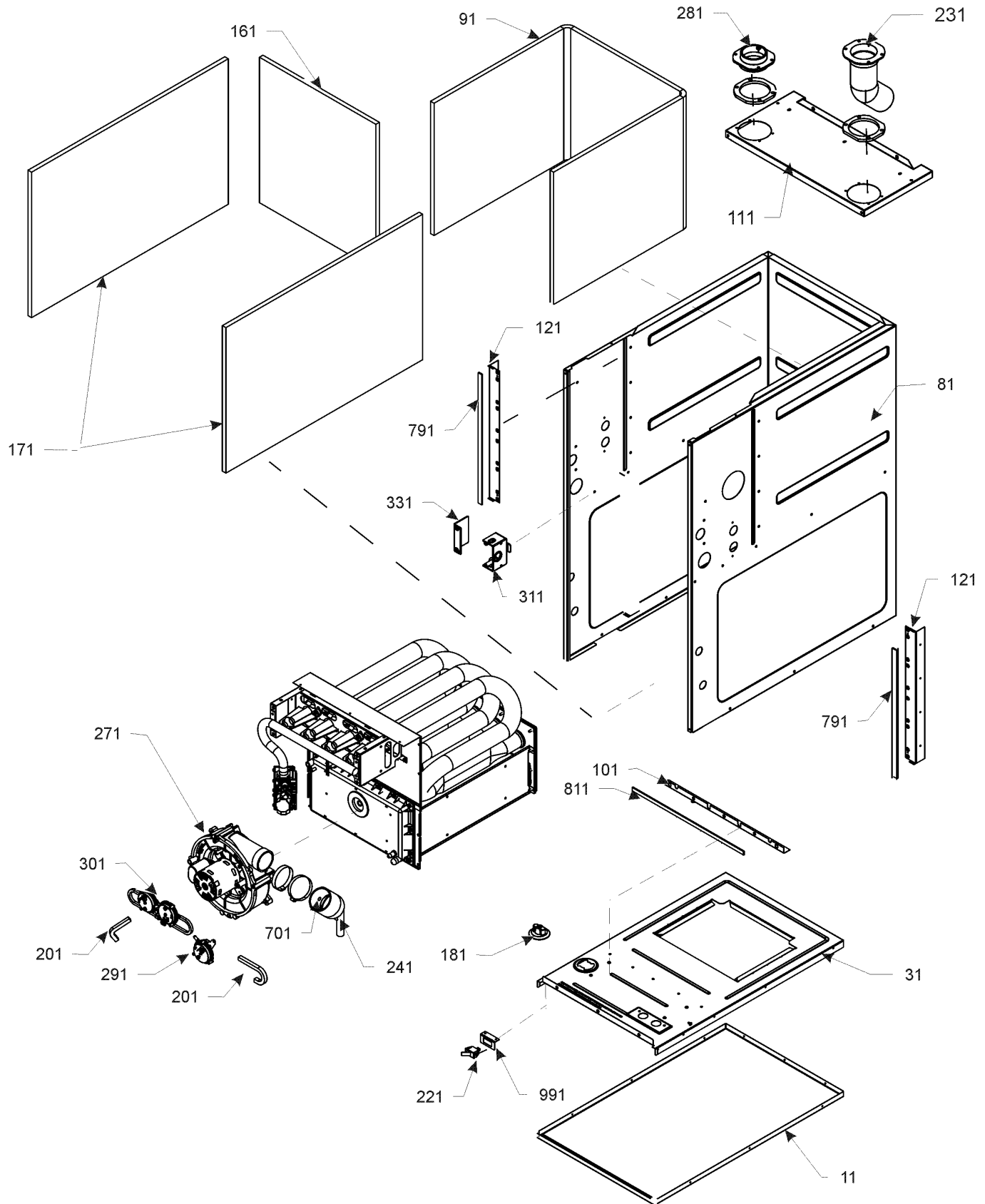
Expanded Model Nomenclature

M1 - GMVC960403BNAA
M2 - GMVC960603BNAA
M3 - GMVC960803BNAA
M4 - GMVC960804CNAA
M5 - GMVC961005CNAA
M6 - GMVC961205DNAA

*If end bells are needed please order the following:

0131M00182 - 1/2 HP
 0131M00183 - 3/4 HP
 0131M00184 - 1 HP

Chassis



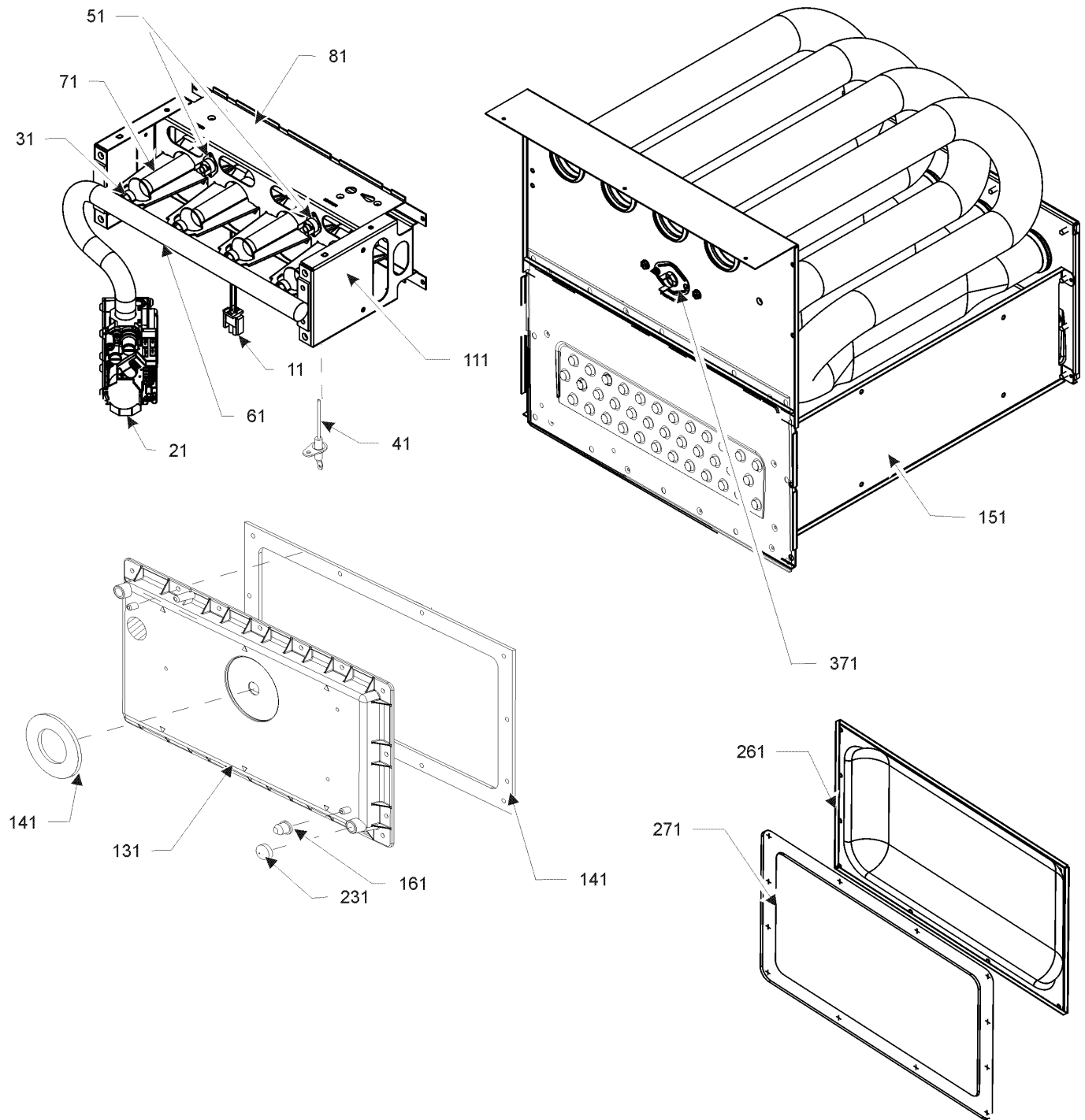
Chassis

Ref. Part No: No:	Description:	Ref. Part No: No:	Description:
Image 1:			
11	0121F00386DG		BASEPAN, UPFLOW (M1, M2, M3)
11	0121F00387DG		BASEPAN, UPFLOW (M4, M5)
11	0121F00388DG		BASEPAN, UPFLOW (M6)
31	0121F00285		DECK, BLOWER 17.5 (M1, M2, M3)
31	0121F00286		DECK, BLOWER 21 (M4, M5)
31	0121F00287		DECK, BLOWER 24.5 (M6)
91	0160F00015		INSULATION, HT EXCHANGER 17.5" (M1, M2, M3)
91	0160F00016		INSULATION, HT EXCHANGER 21" (M4, M5)
91	0160F00017		INSULATION, HT EXCHANGER 24.5" (M6)
101	0121F00314		ANGLE, DECK (M1, M2, M3)
101	0121F00315		ANGLE, DECK (M4, M5)
101	0121F00316		ANGLE, DECK (M6)
111	0121F00279DG		PAINTED TOP, FURNACE 17.5 (M1, M2, M3)
111	0121F00280DG		PAINTED TOP, FURNACE 21 (M4, M5)
111	0121F00281DG		PAINTED TOP, FURNACE 24.5 (M6)
121	0121F00313		ANGLE, SIDE (QTY 2)
161	0160F00012		INSULATION-BACK 17.5" (M1, M2, M3)
161	0160F00013		INSULATION-BACK 21" (M4, M5)
161	0160F00014		INSULATION-BACK 24.5" (M6)
171	0160F00018		INSULATION, SIDE (QTY 2)
181	0159F00052		HARNESS-WIRING (M4, M5, M6)
181	0159F00053		HARNESS-WIRING (M1, M2, M3)
201	0164M00019		HOSE-PRESSURE SW 6" (QTY 2)
221	0130M00243		INTERLOCK SWITCH
231	0164F00002		FLUE PIPE W/BEND
241	0164F00001		ELBOW-FLUE, UPFLOW
271	0171M00002		MOTOR-ID, BLOWER
281	0161F00037		COUPLING
291	0130F00481		PRESSURE SWITCH (-.1 (COL BOX)) (M2, M3, M4, M5, M6)
291	0130F00486		PRESSURE SWITCH (-.1 (COL BOX)) (M1)
301	0130F00472		PRESSURE SWITCH (-.67 / -1.15) (M5)
301	0130F00471		PRESSURE SWITCH (-.72 / -.97) (M1)
301	0130F00474		PRESSURE SWITCH (-.72 / -1.47) (M3, M4)
301	0130F00444		PRESSURE SWITCH (-.76 / -1.25) (M6)
301	0130F00473		PRESSURE SWITCH (-.92 / -1.47) (M2)
311	0161F00042		JUNCTION BOX PLA
331	0161F00043		JUNCTION BOX LID
701	M0326804		PLUG-TUBE
791	0154F00015		GASKET (QTY 2)
811	0154F00014		GASKET (M1, M2, M3)
811	0154F00016		GASKET (M4, M5)
811	20194607		GASKET (M6)
991	0121F00389		BRACKET, DOOR SWITCH

Expanded Model Nomenclature

M1 - GMVC960403BNAA
M2 - GMVC960603BNAA
M3 - GMVC960803BNAA
M4 - GMVC960804CNAA
M5 - GMVC961005CNAA
M6 - GMVC961205DNAA

Heat Exchanger / Manifold / Gas Valve



Heat Exchanger / Manifold / Gas Valve

Ref. Part No: No:	Description:	Ref. Part No: No:	Description:
<i>Image 1:</i>		Expanded Model Nomenclature	
11	0130F00008	IGNITOR-SINI 17 SEC	M1 - GMVC960403BNAA
21	0151M00027	GAS VALVE	M2 - GMVC960603BNAA
31	0163F00004	ORIFICE (QTY A/R)	M3 - GMVC960803BNAA
41	0130F00010	FLAME SENSOR	M4 - GMVC960804CNAA
51	0130F00123	MANUAL RESET R.O.S LIMIT (M3, M4)	M5 - GMVC961005CNAA
51	10123527	MANUAL RESET R.O.S LIMIT (M6)	M6 - GMVC961205DNAA
51	10123534	MANUAL RESET R.O.S LIMIT (M5)	
51	10123539	MANUAL RESET R.O.S LIMIT (M1, M2)	
61	0163F00007	MANIFOLD (M1)	
61	0163F00008	MANIFOLD (M2)	
61	0163F00009	MANIFOLD (M4)	
61	0163F00010	MANIFOLD (M5)	
61	0163F00011	MANIFOLD (M6)	
61	0163F00014	MANIFOLD (M3)	
71	0163F00017	BECKETT BURNER (QTY A/R)	
81	0121F00456	BRACKET-BURNER 2 (M1)	
81	0121F00455	BRACKET-BURNER 3 (M2)	
81	0121F00454	BRACKET-BURNER 4 (M3, M4)	
81	0121F00453	BRACKET-BURNER 5 (M5)	
81	0121F00451	BRACKET-BURNER 6 (M6)	
111	0121F00469	ORIFICE BRACKET-BURNER 2 (M1)	
111	0121F00468	ORIFICE BRACKET-BURNER 3 (M2)	
111	0121F00467	ORIFICE BRACKET-BURNER 4 (M3, M4)	
111	0121F00466	ORIFICE BRACKET-BURNER 5 (M5)	
111	0121F00465	ORIFICE BRACKET-BURNER 6 (M6)	
131	0161F00022	COVER, FRONT (M3)	
131	0161F00026	COVER, FRONT (M5)	
131	0161F00030	COVER, FRONT (M4)	
131	0161F00053	COVER, FRONT (M1)	
131	0161F00055	COVER, FRONT (M2)	
131	0161F00063	COVER, FRONT (M6)	
141	0154F00011	GASKET, FRONT (M1, M2, M3)	
141	0154F00012	GASKET, FRONT (M4, M5)	
141	0154F00013	GASKET, FRONT (M6)	
151	0257F00231	HEAT EXCHANGER ASSY (M2)	
151	0257F00236	HEAT EXCHANGER ASSY (M1)	
151	0257F00239	HEAT EXCHANGER ASSY (M3)	
151	0257F00240	HEAT EXCHANGER ASSY (M4)	
151	0257F00280	HEAT EXCHANGER ASSY (M5)	
151	0257F00333	HEAT EXCHANGER ASSY (M6)	
161	M0326804	TUBE PLUG	
231	A1781105	CAP-VINYL .500	
261	0121F00317	COVER, REAR (M1, M2, M3)	
261	0121F00318	COVER, REAR (M4, M5)	
261	0121F00319	COVER, REAR (M6)	
271	0154F00008	GASKET, REAR CVR (M1, M2, M3)	
271	0154F00009	GASKET, REAR CVR (M4, M5)	
271	0154F00010	GASKET, REAR CVR (M6)	
371	20162904	*PRIMARY LIMIT-TEMPERATURE CONTROL (M1, M2, M3, M4)	
		*Refer to service bulletin SF-054r1	
371	0130F00036	PRIMARY LIMIT - PINK 180° (M6)	
371	20162906	PRIMARY LIMIT - WHITE (M5)	