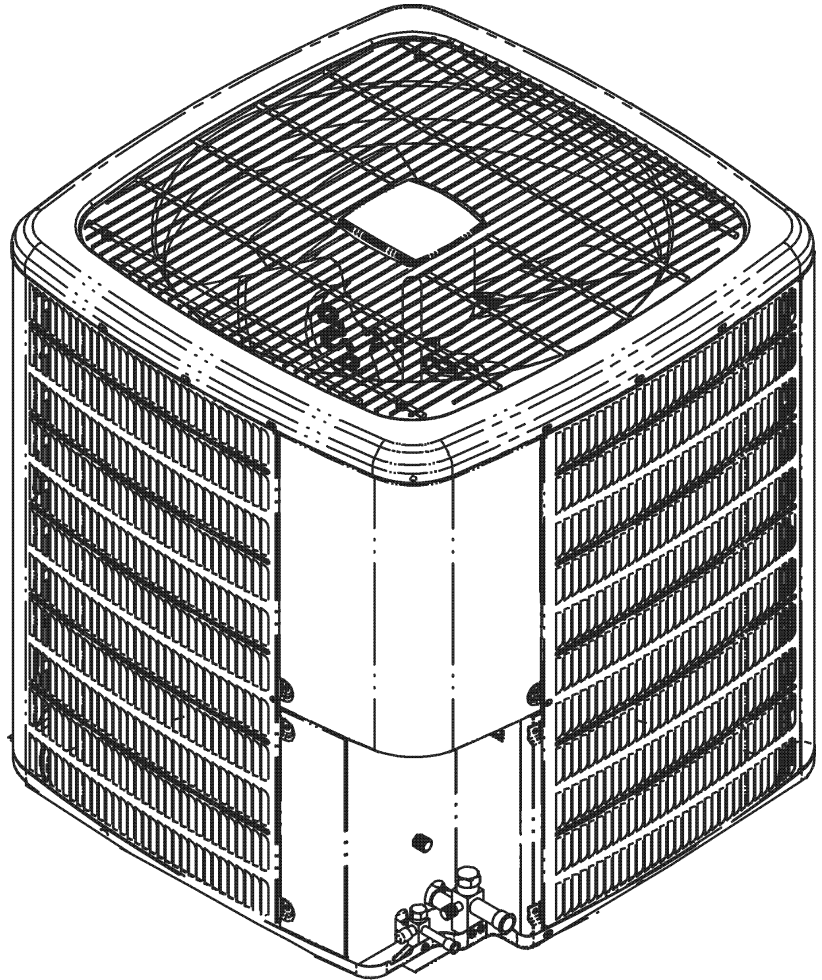




REPAIR PARTS

GSXC18 SEER 2-Stage Remote Condensing Unit

GSXC160241CA
GSXC160361CA
GSXC160481CA
GSXC160601CA



This manual is to be used by qualified technicians only.

© 2017 Goodman Manufacturing Company, L.P. ♦ 5151 San Felipe St., Suite 500 ♦ Houston, TX 77056

Important Information

Index

Functional Parts List	3
Illustration and Parts	4 - 9

Views shown are for parts illustrations only, not servicing procedures.

Text Codes:

AR - As Required

NA - Not Available

NS - Not Shown

00000000 - See Note

QTY - Quantity Example (QTY 3) (If Quantity not shown, Quantity = 1)

M - Model Example (M1) (If M Code not shown, then part is used on all Models)

Expanded Model Nomenclature:

Example M1 - Model#1 M2 - Model#2 M3 - Model#3

Goodman Manufacturing Company, L.P. is not responsible for personal injury or property damage resulting from improper service. Review all service information before beginning repairs.

Warranty service must be performed by an authorized technician, using authorized factory parts. If service is required after the warranty expires, Goodman Manufacturing Company, L.P. also recommends contacting an authorized technician and using authorized factory parts.

Goodman Manufacturing Company, L.P. reserves the right to discontinue, or change at any time, specifications or designs without notice or without incurring obligations.

For assistance within the U.S.A. contact:
Homeowner Support
Goodman Manufacturing Company, L.P.
19001 Kermier Road
Waller, Texas 77484
877-254-4729-Telephone
713-863-2382-Facsimile

For assistance outside the U.S.A. contact:
International Division
Goodman Manufacturing Company, L.P.
19001 Kermier Road
Waller, Texas 77484
713-861-2500-Telephone
713-863-2382-Facsimile

Functional Parts

Part

No: Description:

0151R00079	BASE VALVE 3/4" (M1, M2)
0151R00167	BASE VALVE 3/8"
0151R00080	BASE VALVE 7/8" (M3, M4)
CAP050350440CS	CAPACITOR 5/35/440V (M1, M3)
CAP050400440CT	CAPACITOR 5/40/440V/DUAL RD (M2)
CAP050450440CT	CAPACITOR 5/45/440V/DUAL RD (M4)
ZPS49K6EPFV130	COMP 49000,208/230/60/1 (M4)
ZPS19K6EPFV130	COMP, 19000,208/230/60/1 (M1)
ZPS29K6EPFV130	COMP, 29000,208/230/60/1 (M2)
ZPS40K6EPFV130	COMP, 40000,208/230/60/1 (M3)
0130R00003	CUT-OUT SWITCH, HIGH PRESSURE
0163R00007	HEATER, CRANKCASE 230V, 40W (M3, M4)
0130M00086	LOW PRESSURE SWITCH
0131M00295	MOTOR 1/6 HP 2SP 8PL (M2, M3)
0131M00117	MOTOR, 1/6HP, 2SP, 8PL (M1)
0131M00804	MOTOR, ECM (M4)
0130M00054	OUTDOOR AIR TEMP SENSOR
PCBGR103	PCB, CONTROL, 2 STG, AC
0130R00088	SHARED DATA (M4)
0130R00085	SHARED DATA (M3)
0130R00082	SHARED DATA (M2)
0130R00079	SHARED DATA (M1)

SPECIAL PARTS

0161R00009P NAMEPLATE

Expanded Model Nomenclature

M1 - GSXC160241CA
M2 - GSXC160361CA
M3 - GSXC160481CA
M4 - GSXC160601CA

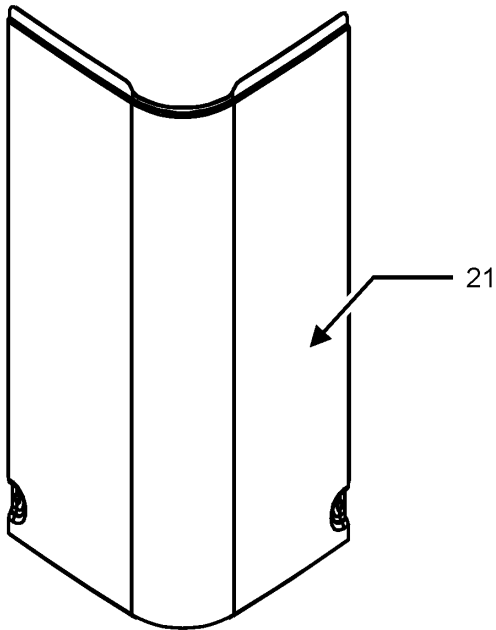
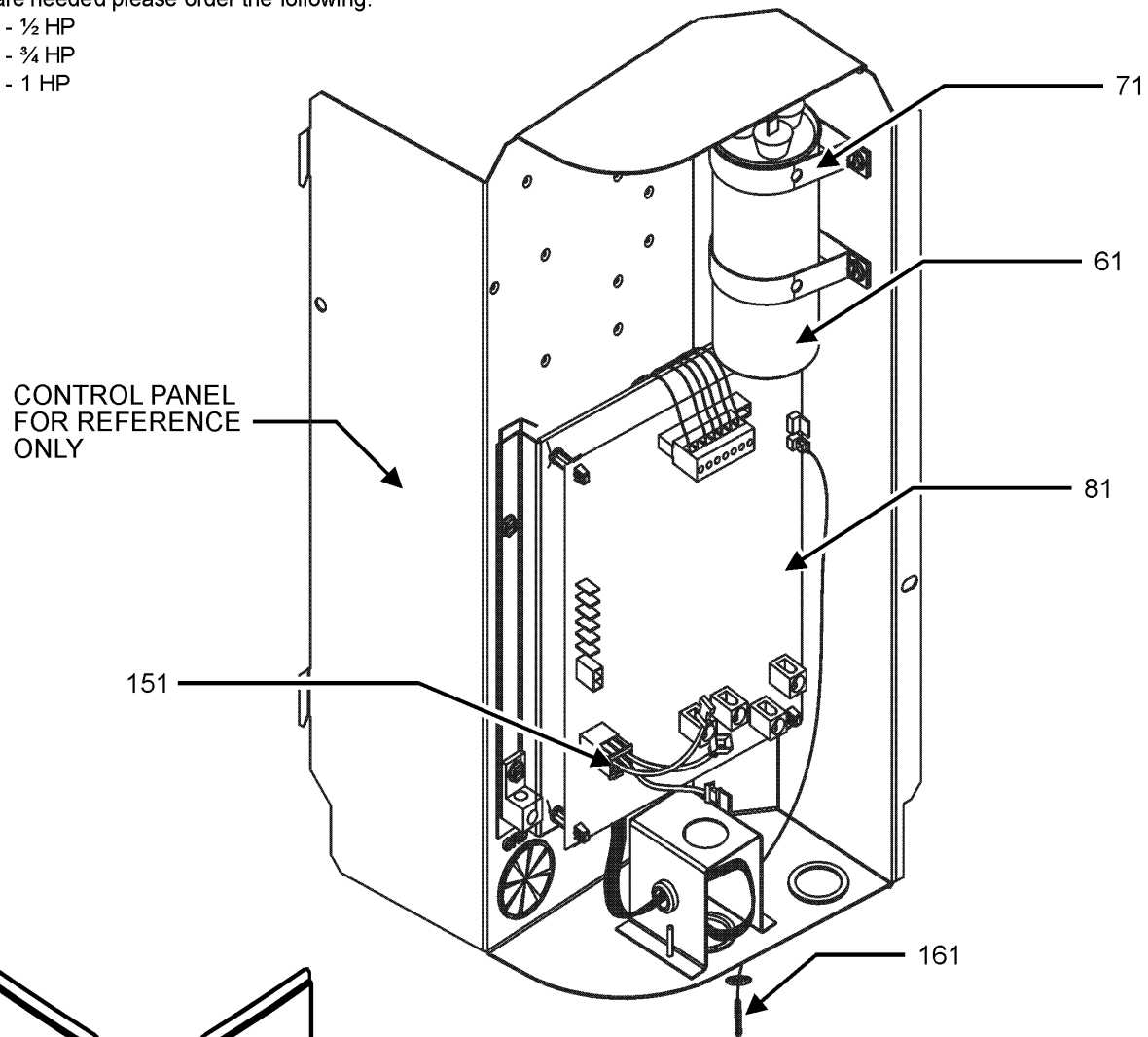
Control Box Assembly

*If end bells are needed please order the following:

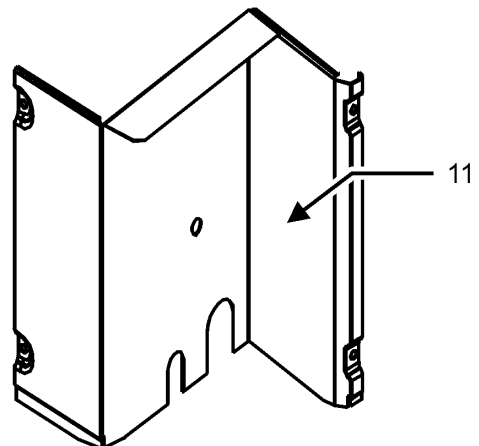
0131M00182 - 1/2 HP

0131M00183 - 3/4 HP

0131M00184 - 1 HP



UPPER ACCESS COVER



LOWER ACCESS PANEL

Control Box Assembly

Ref. Part No: No:	Description:	Ref. Part No: No:	Description:
-------------------	--------------	-------------------	--------------

Image 1:

11	0121R00315PDG	LOWER ACCESS PANEL (M2)
11	0121R00625PDG	LOWER ACCESS PANEL (M3)
11	0121R00662PDG	LOWER ACCESS PANEL (M4)
11	0121R00663PDG	LOWER ACCESS PANEL (M1)
21	0121R00053PDG	CONTROL COVER (M1, M3)
21	0121R00054PDG	CONTROL COVER (M2, M4)
61	CAP050350440CS	CAPACITOR 5/35/440V (M1, M3)
61	CAP050400440CT	CAPACITOR 5/40/440V/DUAL RD (M2)
61	CAP050450440CT	CAPACITOR 5/45/440V/DUAL RD (M4)
71	0121R00213	CAPACITOR STRAP (QTY 2)
81	PCBGR103	PCB, CONTROL, 2 STG, AC
151	0159R00011	WIRE ASSEMBLY, ECM MOTOR (M4)
151	0159R00010	WIRE ASSEMBLY, PSC MOTOR (M1, M2, M3)
161	0130M00054	OUTDOOR AIR TEMP SENSOR
NS	0161R00009P	NAMEPLATE
NS	0130R00079	SHARED DATA (M1)
NS	0130R00082	SHARED DATA (M2)
NS	0130R00085	SHARED DATA (M3)
NS	0130R00088	SHARED DATA (M4)

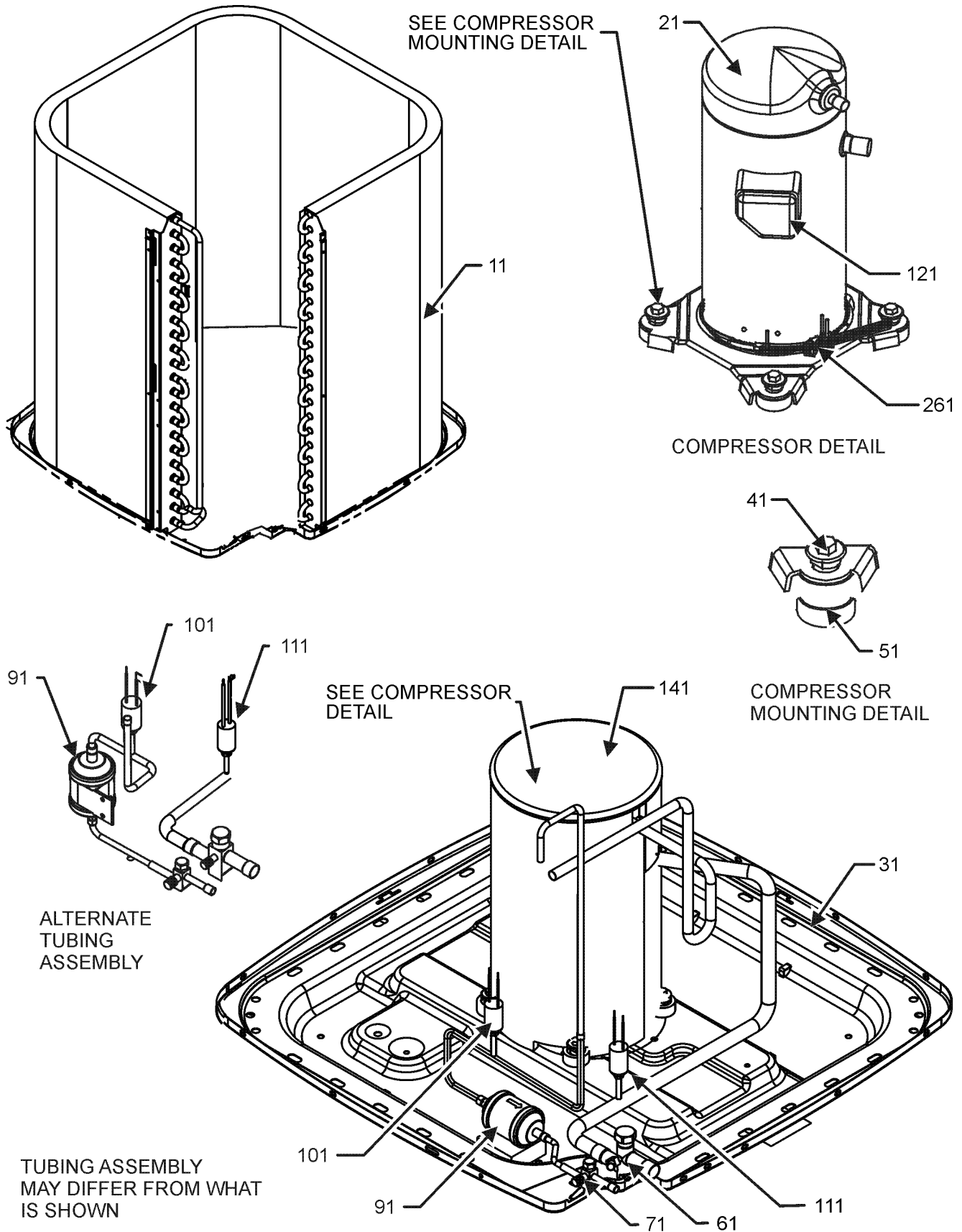
Expanded Model Nomenclature

M1 - GSXC160241CA
M2 - GSXC160361CA
M3 - GSXC160481CA
M4 - GSXC160601CA

*If end bells are needed please order the following:

0131M00182 - 1/2 HP
 0131M00183 - 3/4 HP
 0131M00184 - 1 HP

Compressor and Tubing Assembly



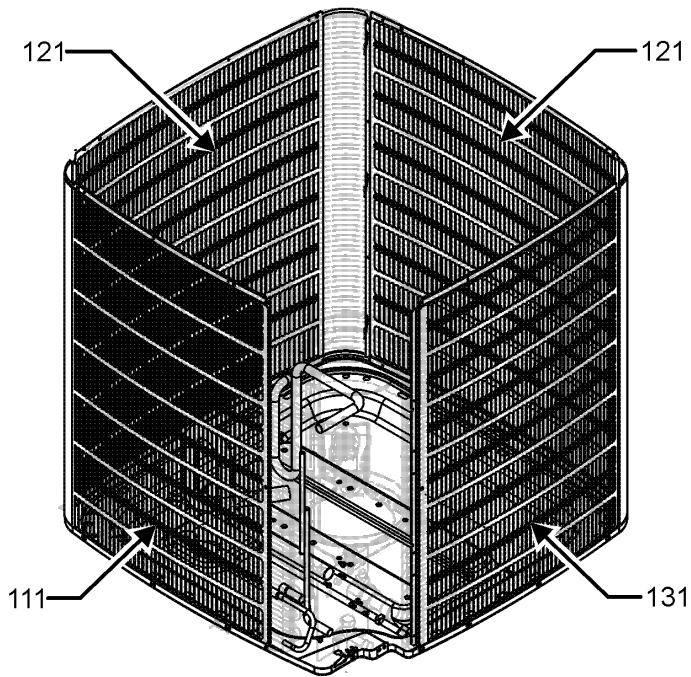
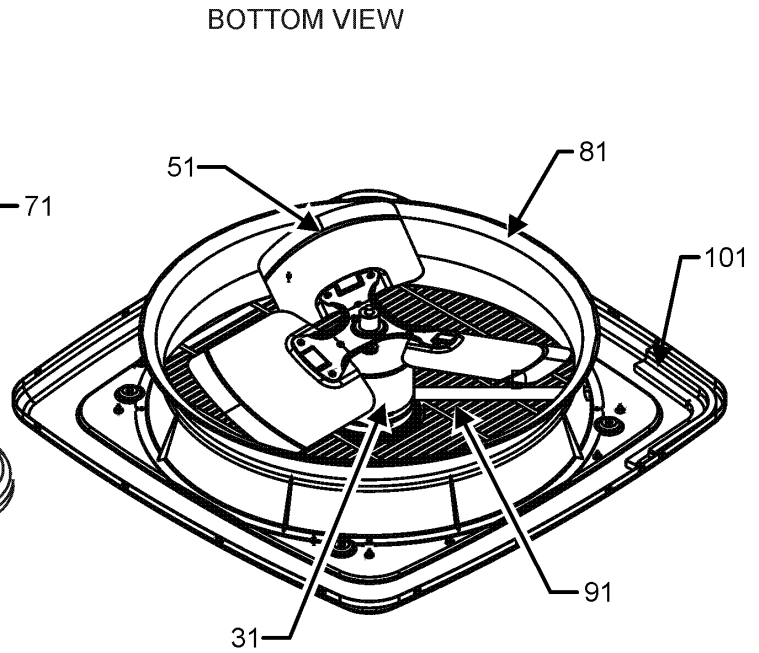
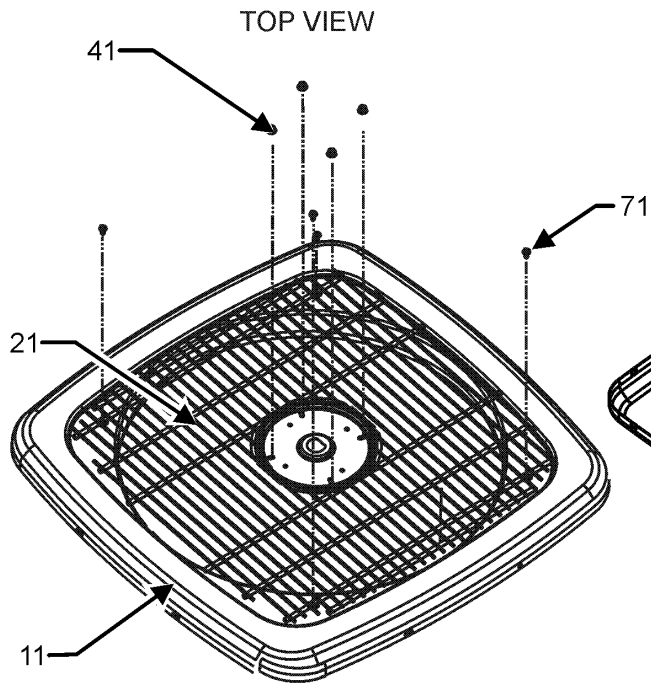
Compressor and Tubing Assembly

Ref. Part No:	No:	Description:	Ref. Part No:	No:	Description:
<i>Image 1:</i>					
11	0201R00296	COIL TUBING ASSY (M1)			
11	0201R00311	COIL TUBING ASSY (M2)			
11	0201R00692	COIL TUBING ASSY (M4)			
11	0201R00697	COIL TUBING ASSY (M3)			
21	ZPS49K6EPFV130	COMP 49000,208/230/60/1 (M4)			
21	ZPS19K6EPFV130	COMP, 19000,208/230/60/1 (M1)			
21	ZPS29K6EPFV130	COMP, 29000,208/230/60/1 (M2)			
21	ZPS40K6EPFV130	COMP, 40000,208/230/60/1 (M3)			
31	0121R00007PDG	BASE PAN 35" (M2, M3, M4)			
41	M0221641	TF SHOULDER SCREW (QTY 4)			
51	0164M00018	COMPRESSOR GROMMET (QTY 4)			
61	0151R00079	BASE VALVE 3/4" (M1, M2)			
61	0151R00080	BASE VALVE 7/8" (M3, M4)			
71	0151R00167	BASE VALVE 3/8"			
91	0162R00009	FILTER DRIER			
101	0130R00003	CUT-OUT SWITCH, HIGH PRESSURE			
111	0130M00086	LOW PRESSURE SWITCH			
121	0159R00001P	COMPRESSOR SCROLL HARNESS (M1)			
121	0159R00009	COMPRESSOR SCROLL HARNESS (M2, M3, M4)			
141	B1488806	COMPRESSOR SOUND BLANKET (M3, M4)			
141	B1488810	COMPRESSOR SOUND BLANKET (M1, M2)			
261	0163R00007	HEATER, CRANKCASE 230V, 40W (M3, M4)			
NS	0130M00005P	WIRE HARNESS, COMPRESSOR SOLENOID			

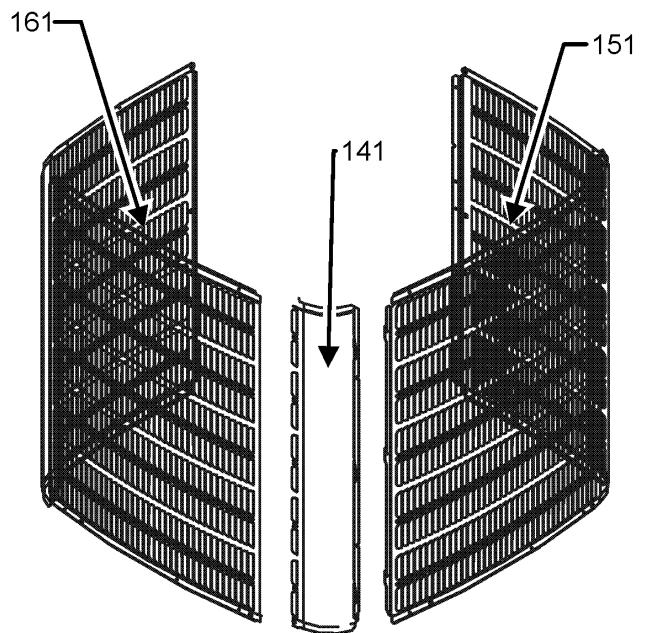
Expanded Model Nomenclature

M1 - GSXC160241CA
M2 - GSXC160361CA
M3 - GSXC160481CA
M4 - GSXC160601CA

Top and Louver Side Panel Assembly



LOUVER PANEL ASSEMBLY
STYLE 1



LOUVER PANEL ASSEMBLY
STYLE 2

Top and Louver Side Panel Assembly

Ref. Part No:	No:	Description:	Ref. Part No:	No:	Description:
<i>Image 1:</i>					
11	0121R00577PDG	TOP PANEL, GRILL/VENTURI MNT (M2, M3, M4)			
11	0121R00011PDG	VENTURI TOP PANEL 29" (M1)			
21	0152R00019	GRILL, WIRE 35" TOP (M4)			
21	0152R00015	GRILLE, WIRE 29" TOP (M1)			
21	0152R00016	GRILLE, WIRE 35" TOP (M2, M3)			
31	0131M00295	MOTOR 1/6 HP 2SP 8PL (M2, M3)			
31	0131M00117	MOTOR, 1/6HP, 2SP, 8PL (M1)			
31	0131M00804	MOTOR, ECM (M4)			
41	M0280801	HEX NUT (QTY 4)			
51	0150M00008	FAN BLADE 22" TNT2203-25 (M1)			
51	0150M00054	FAN BLADE, 26" (M2, M3, M4)			
71	0163M00003P	SCREW #10 X 1/2, A, SLOT, SR, BLACK (QTY 5)			
81	0161R00049	VENTURI 26" MOLDED RING (M2, M3, M4)			
91	0161R00069	CONDUIT (M1)			
91	0161R00070	CONDUIT (M2, M3)			
91	0163M00385	CONDUIT, FLEXIBLE (M4)			
101	0154R00006	GASKET, CONTROL PANEL			
111	0121R00228PDGB	LOUVERED SIDE PANEL [LT OF CNTL PNL] (M2)			
111	0121R00592PDGB	PANEL 1, BENT LOUVER 35_34.64 (M3)			
111	0121R00593PDGB	PANEL 1, BENT LOUVER 35_39.84 (M4)			
121	0121R00231PDGB	LOUVERED SIDE PANEL (M2)			
121	0121R00594PDGB	PANEL 2, BENT LOUVER 35_34.64 (M3)			
121	0121R00595PDGB	PANEL 2, BENT LOUVER 35_39.84 (M4)			
131	0121R00234PDG	LOUVERED SIDE PANEL [RT OF CNTL PNL] (M2)			
131	0121R00596PDG	PANEL 3, LOUVER 35_34.64 PNT (M3)			
131	0121R00597PDG	PANEL 3, LOUVER 35_39.84 PNT (M4)			
141	0121R00350PDG	Louver Post, PDG 28.73 (M1)			
151	0121R00342PDGRS	Louver Panel, PDG 29"_28.73 (M1)			
161	0121R00342PDGLS	Louver Panel, PDG 29"_28.73 (M1)			

Expanded Model Nomenclature

M1 - GSXC160241CA
M2 - GSXC160361CA
M3 - GSXC160481CA
M4 - GSXC160601CA