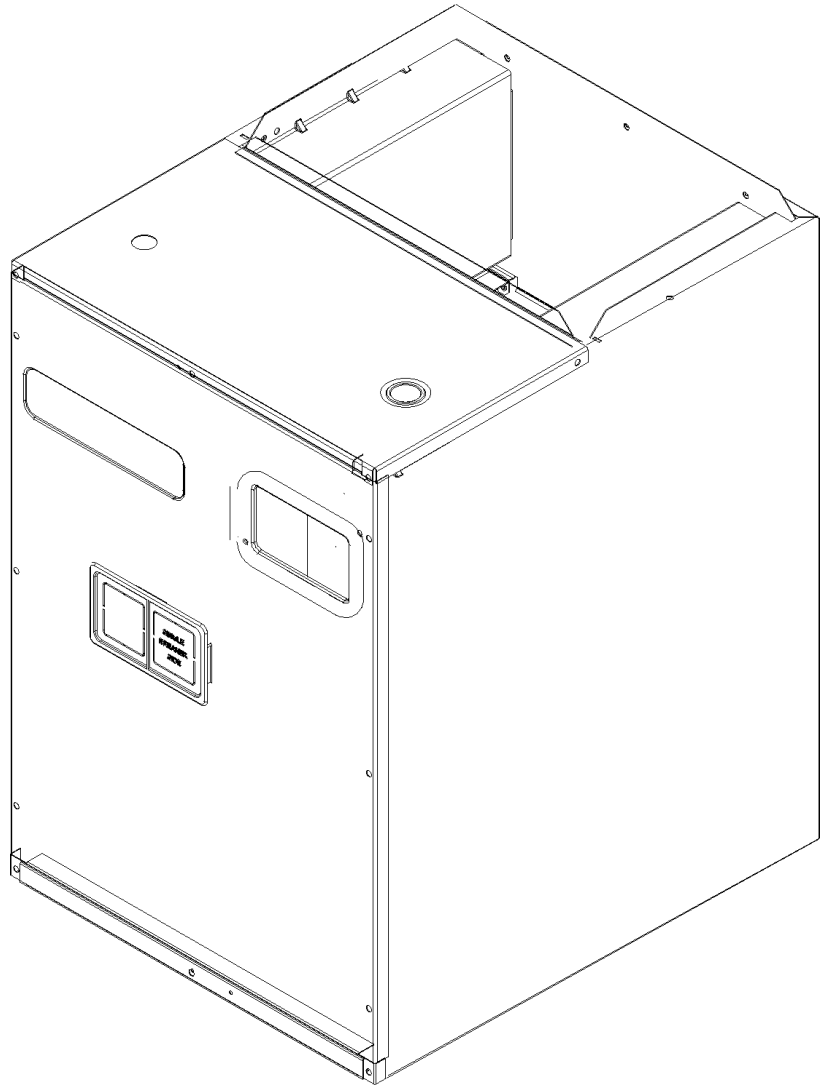


REPAIR PARTS

MBVC Modular Blower Air Handlers

MBVC1200AA-1AA
MBVC1200AA-1AB
MBVC1200AA-1AC
MBVC1200AA-1AD
MBVC1200AA-1AE
MBVC1600AA-1AA
MBVC1600AA-1AB
MBVC1600AA-1AC
MBVC1600AA-1AD
MBVC1600AA-1AE
MBVC2000AA-1AA
MBVC2000AA-1AB
MBVC2000AA-1AC
MBVC2000AA-1AD
MBVC2000AA-1AE



This manual is to be used by qualified technicians only.

This manual replaces RP-565B.

© 2009,2011,2013,2015 Goodman Manufacturing Company, L.P. ♦ 5151 San Felipe St., Suite 500 ♦ Houston, TX 77056

Important Information

Index

Functional Parts List	3
Illustration and Parts	4 - 9

Views shown are for parts illustrations only, not servicing procedures

Text Codes:

AR - As Required

NA - Not Available

NS - Not Shown

00000000 - See Note

QTY - Quantity Example (QTY 3) (If Quantity not shown, Quantity = 1)

M - Model Example (M1) (If M Code not shown, then part is used on all Models)

Expanded Model Nomenclature:

Example M1 - Model#1 M2 - Model#2 M3 - Model#3

Goodman Manufacturing Company, L.P. is not responsible for personal injury or property damage resulting from improper service. Review all service information before beginning repairs.

Warranty service must be performed by an authorized technician, using authorized factory parts. If service is required after the warranty expires, Goodman Manufacturing Company, L.P. also recommends contacting an authorized technician and using authorized factory parts.

Goodman Manufacturing Company, L.P. reserves the right to discontinue, or change at any time, specifications or designs without notice or without incurring obligations.

For assistance within the U.S.A. contact:
Consumer Affairs Department
Goodman Manufacturing Company, L.P.
7401 Security Way
Houston, Texas 77040
877-254-4729-Telephone
713-863-2382-Facsimile

For assistance outside the U.S.A. contact:
International Division
Goodman Manufacturing Company, L.P.
7401 Security Way
Houston, Texas 77040
713-861-2500-Telephone
713-863-2382-Facsimile

Functional Parts

Part

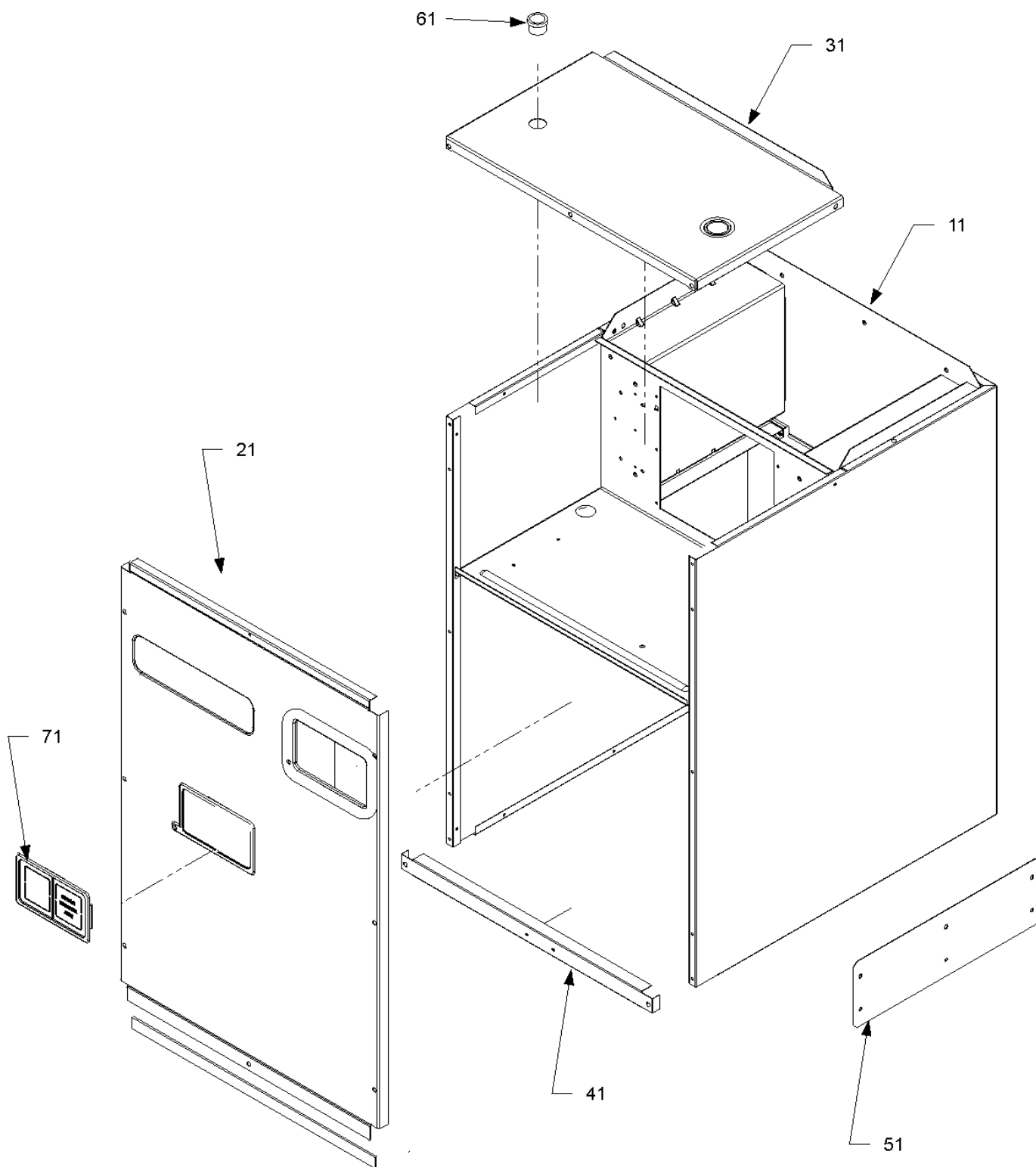
No: Description:

B1368016	BLOWER WHEEL 10 X 8 (M1, M2, M3, M4, M5, M6, M7, M8, M9, M10)
B1368000	BLOWER WHEEL 11 X 10 (M11, M12, M13, M14, M15)
0130A00028	DATA, AIR HANDLER PCB (M14, M15)
0130A00027	DATA, AIR HANDLER PCB (M9, M10)
0130A00026	DATA, AIR HANDLER PCB (M4, M5)
0130A00008	DATA, AIR HANDLER PCB (M11, M12, M13)
0130A00007	DATA, AIR HANDLER PCB (M6, M7, M8)
0130A00006	DATA, AIR HANDLER PCB (M1, M2, M3)
0131M00270	MOTOR, 1/2 HP, SERIAL ECM (M1, M2, M3, M4, M5)
0131M00271	MOTOR, 3/4 HP, SERIAL ECM (M6, M7, M8, M9, M10, M11, M12, M13, M14, M15)
PCBJA104	PCB, CONTROL, AIR HANDLER (M4, M5, M9, M10, M14, M15)
PCBJA101	PCB, CONTROL, AIR HANDLER (M1, M2, M3, M6, M7, M8, M11, M12, M13)
0130M00138	TRANSFORMER 208/230, 24V

Expanded Model Nomenclature

M1 - MBVC1200AA-1AA
M2 - MBVC1200AA-1AB
M3 - MBVC1200AA-1AC
M4 - MBVC1200AA-1AD
M5 - MBVC1200AA-1AE
M6 - MBVC1600AA-1AA
M7 - MBVC1600AA-1AB
M8 - MBVC1600AA-1AC
M9 - MBVC1600AA-1AD
M10 - MBVC1600AA-1AE
M11 - MBVC2000AA-1AA
M12 - MBVC2000AA-1AB
M13 - MBVC2000AA-1AC
M14 - MBVC2000AA-1AD
M15 - MBVC2000AA-1AE

Cabinet



Cabinet

Ref. Part No:	No:	Description:	Ref. Part No:	No:	Description:
<i>Image 1:</i>					
11	5002010PDG	WRAPPER 17.5" X 26" PAINT (M1, M2, M3, M4, M5)			
11	5002011PDG	WRAPPER 21" X 30" PAINT (M6, M7, M8, M9, M10)			
11	5002012PDG	WRAPPER 24.5" X 30" PAINT (M11, M12, M13, M14, M15)			
21	5601500PDG	FRONT PANEL (M1, M2, M3, M4, M5)			
21	5601501PDG	FRONT PANEL (M6, M7, M8, M9, M10)			
21	5601502PDG	FRONT PANEL (M11, M12, M13, M14, M15)			
31	5601000PDG	TOP PLATE (M1, M2, M3, M4, M5)			
31	5601001PDG	TOP PLATE (M6, M7, M8, M9, M10)			
31	5601002PDG	TOP PLATE (M11, M12, M13, M14, M15)			
41	5001205PDG	BOTTOM RAIL 17.5" (M1, M2, M3, M4, M5)			
41	5001209PDG	BOTTOM RAIL 21" (M6, M7, M8, M9, M10)			
41	5001210PDG	BOTTOM RAIL 24.5" (M11, M12, M13, M14, M15)			
51	5651200PDG	TIE-IN-PLATE PAINTED (QTY 2)			
61	B1392104	UNIVERSAL BUSHING UB 875			
71	0161A00034	PLASTIC BREAKER INSERT (M3, M8, M13)			
71	0161A00063	PLASTIC BREAKER INSERT (M1, M2, M4, M5, M6, M7, M9, M10, M11, M12, M14, M15)			

Expanded Model Nomenclature

M1 - MBVC1200AA-1AA
M2 - MBVC1200AA-1AB
M3 - MBVC1200AA-1AC
M4 - MBVC1200AA-1AD
M5 - MBVC1200AA-1AE
M6 - MBVC1600AA-1AA
M7 - MBVC1600AA-1AB
M8 - MBVC1600AA-1AC
M9 - MBVC1600AA-1AD
M10 - MBVC1600AA-1AE
M11 - MBVC2000AA-1AA
M12 - MBVC2000AA-1AB
M13 - MBVC2000AA-1AC
M14 - MBVC2000AA-1AD
M15 - MBVC2000AA-1AE

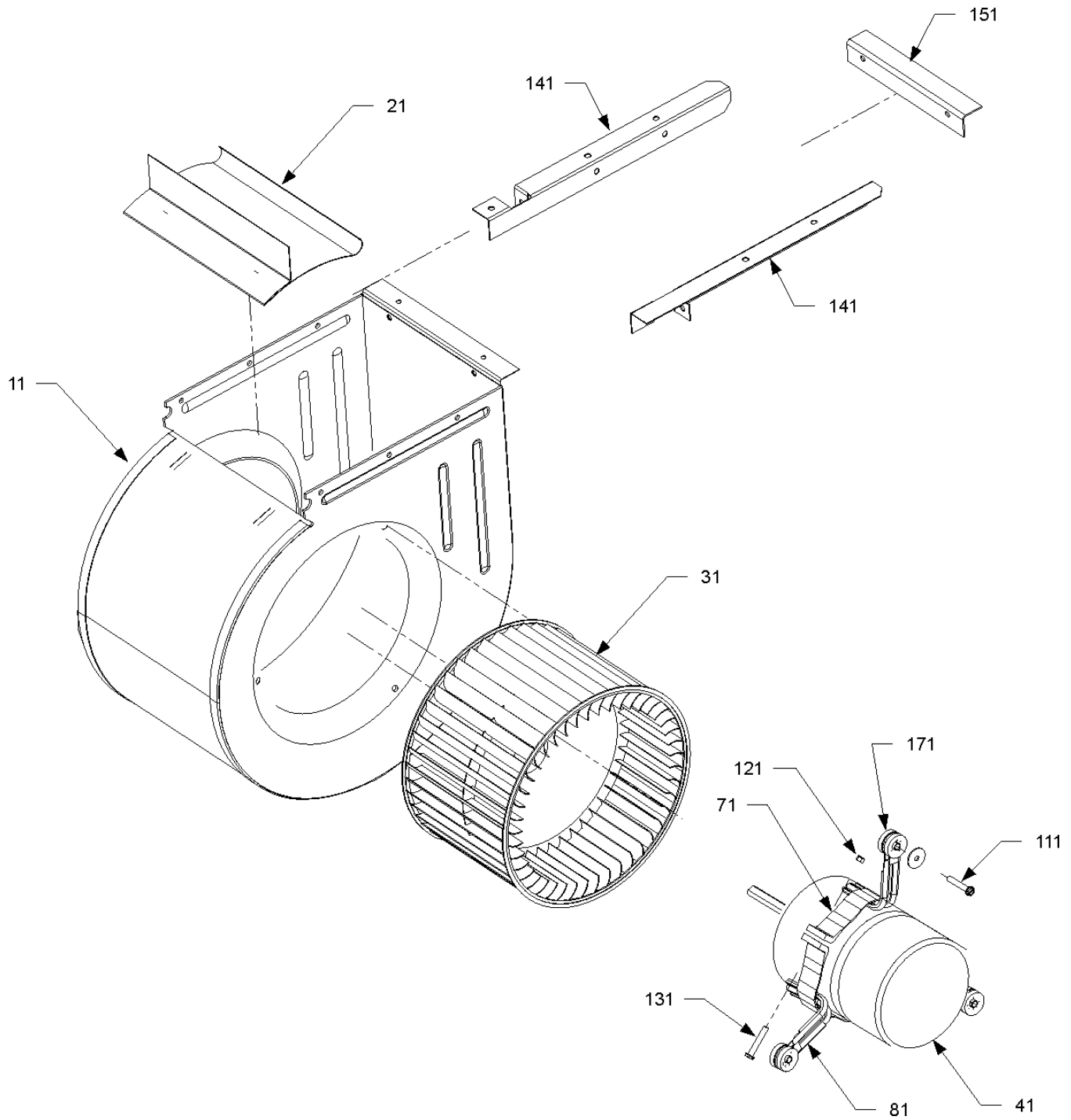
Blower Assembly

*If end bells are needed please order the following:

0131M00182 - 1/2 HP

0131M00183 - 3/4 HP

0131M00184 - 1 HP

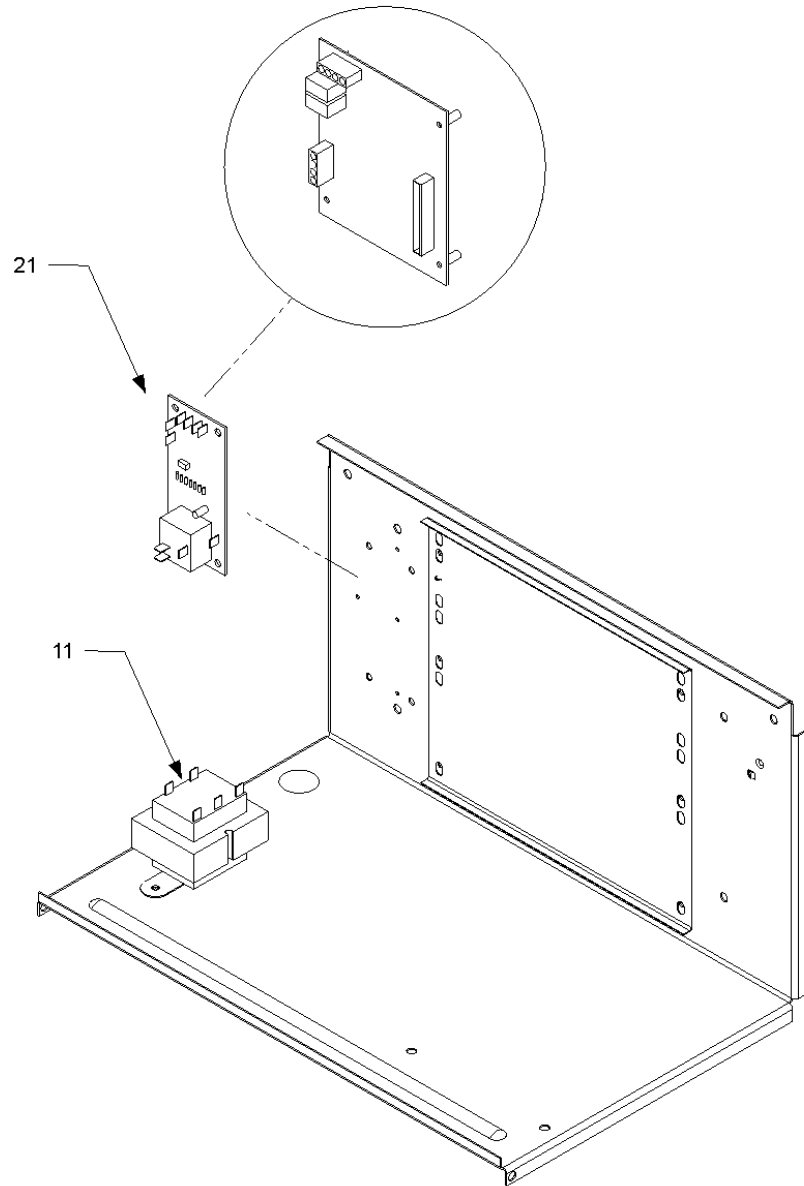


Blower Assembly

Ref. Part No: No:	Description:	Ref. Part No: No:	Description:
<i>Image 1:</i>		Expanded Model Nomenclature	
11	5660205 BLOWER HOUSING ASSY 10 X 8 (M1, M2, M3, M4, M5, M6, M7, M8, M9, M10)	M1 - MBVC1200AA-1AA	
11	5660207 BLOWER SHELL ASSEMBLY (M11, M12, M13, M14, M15)	M2 - MBVC1200AA-1AB	
21	5647002 BLOWER CUT-OFF (M1, M2, M3, M4, M5, M6, M7, M8, M9, M10)	M3 - MBVC1200AA-1AC	
21	1864700 BLOWER CUT-OFF 10 X 10 (M11, M12, M13, M14, M15)	M4 - MBVC1200AA-1AD	
31	B1368016 BLOWER WHEEL 10 X 8 (M1, M2, M3, M4, M5, M6, M7, M8, M9, M10)	M5 - MBVC1200AA-1AE	
31	B1368000 BLOWER WHEEL 11 X 10 (M11, M12, M13, M14, M15)	M6 - MBVC1600AA-1AA	
41	0131M00270 MOTOR, 1/2 HP, SERIAL ECM (M1, M2, M3, M4, M5)	M7 - MBVC1600AA-1AB	
41	0131M00271 MOTOR, 3/4 HP, SERIAL ECM (M6, M7, M8, M9, M10, M11, M12, M13, M14, M15)	M8 - MBVC1600AA-1AC	
71	0121M00038 MOTOR MOUNT BAND (M1, M2, M3, M4, M5, M6, M7, M8, M9, M10)	M9 - MBVC1600AA-1AD	
71	0121M00039 MOTOR MOUNT BAND (HEAVY DUTY) (M11, M12, M13, M14, M15)	M10 - MBVC1600AA-1AE	
81	0163A00008 MOTOR MOUNT ARM (M11, M12, M13, M14, M15)	M11 - MBVC2000AA-1AA	
81	B1376853 MOTOR MOUNT ARM (M1, M2, M3, M4, M5, M6, M7, M8, M9, M10)	M12 - MBVC2000AA-1AB	
111	B1393322 MACHINE SCREW HWH 1/4-20 X 1-1/2 BZ (QTY 3)	M13 - MBVC2000AA-1AC	
121	B1393800 LOCKNUT, NYLON, INSERT 1/4, 20	M14 - MBVC2000AA-1AD	
131	B1393323 MACHINE SCREW HWH 1/4-20 X 1-1/2 BZ	M15 - MBVC2000AA-1AE	
141	5601806 BLOWER RAIL (M1, M2, M3, M4, M5)		
141	5601807 BLOWER RAIL (M6, M7, M8, M9, M10, M11, M12, M13, M14, M15)		
151	1717111 BLOWER MOUNTING ANGLE (M6, M7, M8, M9, M10)		
151	1717112 BLOWER MOUNTING ANGLE (M11, M12, M13, M14, M15)		
151	1717113 BLOWER MOUNTING ANGLE (M1, M2, M3, M4, M5)		
171	B1392918 WASHER, FLAT 1/4 ID X 1 OD (QTY 3)		

*If end bells are needed please order the following:
 0131M00182 - 1/2 HP
 0131M00183 - 3/4 HP
 0131M00184 - 1 HP

Control/Electrical



Control/Electrical

Ref. Part No:	Part No:	Description:	Ref. Part No:	Part No:	Description:
Image 1:					
11	0130M00138	TRANSFORMER 208/230, 24V			
21	PCBJA101	PCB, CONTROL, AIR HANDLER (M1, M2, M3, M6, M7, M8, M11, M12, M13)			
21	PCBJA104	PCB, CONTROL, AIR HANDLER (M4, M5, M9, M10, M14, M15)			
NS	0130A00006	DATA, AIR HANDLER PCB (M1, M2, M3)			
NS	0130A00007	DATA, AIR HANDLER PCB (M6, M7, M8)			
NS	0130A00008	DATA, AIR HANDLER PCB (M11, M12, M13)			
NS	0130A00026	DATA, AIR HANDLER PCB (M4, M5)			
NS	0130A00027	DATA, AIR HANDLER PCB (M9, M10)			
NS	0130A00028	DATA, AIR HANDLER PCB (M14, M15)			
NS	0259A00002PF	WIRE ASST, 9 PIN MALE CONN. (M1, M2, M3, M4, M6, M7, M8, M9, M11, M12, M13, M14)			
NS	0259A00028	WIRE ASSY, 9 PIN MALE CONN. (M5, M10, M15)			
NS	0259A00007	WIRE HARNESS (M1, M2, M3, M4, M6, M7, M8, M9, M11, M12, M13, M14)			
NS	0259A00008	WIRE HARNESS (M1, M2, M3, M4, M6, M7, M8, M9, M11, M12, M13, M14)			
NS	0259A00029	WIRE HARNESS (M5, M10, M15)			
NS	0259A00030	WIRE HARNESS (M5, M10, M15)			

Expanded Model Nomenclature

- M1 - MBVC1200AA-1AA
- M2 - MBVC1200AA-1AB
- M3 - MBVC1200AA-1AC
- M4 - MBVC1200AA-1AD
- M5 - MBVC1200AA-1AE
- M6 - MBVC1600AA-1AA
- M7 - MBVC1600AA-1AB
- M8 - MBVC1600AA-1AC
- M9 - MBVC1600AA-1AD
- M10 - MBVC1600AA-1AE
- M11 - MBVC2000AA-1AA
- M12 - MBVC2000AA-1AB
- M13 - MBVC2000AA-1AC
- M14 - MBVC2000AA-1AD
- M15 - MBVC2000AA-1AE