




Job Name:

System Reference:

Date:

Indoor Unit: MSY-GL24NA	Outdoor Unit: MUY-GL24NA	Wireless Remote Controller
		

### GENERAL FEATURES

- Slim wall-mounted indoor units provide zone comfort control
- The outdoor unit powers the indoor unit, and should a power outage occur, the system is automatically restarted when power returns
- INVERTER-driven compressor and LEV provide high efficiency and comfort while using only the energy needed to maintain maximum performance
- Multiple fan speed options: Quiet, Low, Medium, High, Super-high, Auto
- Multiple control options available:
  - Hand-held Remote Controller (provided with unit)
  - kumo cloud® smart device app for remote access
  - Third-party interface options
  - Wired or wireless controllers
- Quiet operation
- Smart Set: recalls a preferred preset temperature setting at the touch of a button
- Blue Fin anti-corrosion treatment applied to the outdoor unit heat exchanger for increased coil protection and longer life

## SPECIFICATIONS: MSY-GL24NA & MUY-GL24NA

Cooling <sup>1</sup>	Maximum Capacity	BTU/H	31,400	
	Rated Capacity	BTU/H	22,400	
	Minimum Capacity	BTU/H	8,200	
	Maximum Power Input	W	3,522	
	Rated Power Input	W	1,800	
	Moisture Removal	Pints/h	5.1	
	Sensible Heat Factor		0.75	
	Power Factor	%	99 / 99	
Efficiency	SEER		20.5	
	EER <sup>1</sup>		12.5	
	ENERGY STAR® certified units (ENERGY STAR products are third party certified by an EPA-recognized Certification Body.)		YES	
Electrical	Voltage, Phase, Frequency		208/230V, 1 phase, 60Hz	
	Guaranteed Voltage Range	V AC	187 - 253	
	Voltage: Indoor - Outdoor, S1-S2	V AC	208 / 230	
	Voltage: Indoor - Outdoor, S2-S3	V DC	24	
	Short-circuit Current Rating (SCCR)	kA	5	
	Recommended Fuse/Breaker Size (Outdoor)	A	20	
	Recommended Wire Size (Indoor - Outdoor)	AWG	14	
Indoor Unit	MCA	A	1	
	MOCP	A	15	
	Blower Motor Full Load Amperage	A	0.76	
	Blower Motor Output	W	56	
	Airflow Rate at Cooling, Dry	CFM	738-628-544-469-388	
	Airflow Rate at Cooling, Wet	CFM	661-562-487-420-347	
	Sound Pressure Level (Cooling)	dB(A)	53-49-45-41-34	
	Drain Pipe Size	In. (mm)	5/8 (15.88)	
	Heat Exchanger Type		Plate fin coil	
	External Finish Color		Munsell 1.0Y 9.2/0.2	
	Unit Dimensions	W: In. (mm)		43-5/16 (1,100)
		D: In. (mm)		9-3/8 (238)
		H: In. (mm)		12-13/16 (325)
	Package Dimensions	W: In. (mm)		45-1/2 (1,160)
		D: In. (mm)		12-3/4 (320)
H: In. (mm)			15-1/2 (390)	
Unit Weight	Lbs. (kg)		37 (17)	
Package Weight	Lbs. (kg)		37 (17)	
Indoor Unit Operating Temperature Range	Cooling Intake Air Temp (Maximum / Minimum)*	°F	90 DB, 73 WB / 67 DB, 57 WB	
Outdoor Unit	MCA	A	17.1	
	MOCP	A	20	
	Fan Motor Full Load Amperage	A	0.93	

## SPECIFICATIONS: MSY-GL24NA & MUY-GL24NA

	Fan Motor Output	W	77	
	Airflow Rate	CFM	1,769	
	Refrigerant Control		LEV	
	Defrost Method		Reverse cycle	
	Heat Exchanger Type		Plate fin coil	
	Sound Pressure Level, Cooling <sup>1</sup>	dB(A)	55	
	Compressor Type		DC INVERTER-driven	
	Compressor Model		SNB172FQKMT	
	Compressor Rated Load Amps	A	12.9	
	Compressor Locked Rotor Amps	A	16.1	
	Compressor Oil Type // Charge	oz.	FV50S // 13.5	
	External Finish Color		Munsell 3Y 7.8/1/1	
	Base Pan Heater		N/A	
	Unit Dimensions	W: In. (mm)		33-1/16 (840)
		D: In. (mm)		13 (330)
		H: In. (mm)		34-5/8 (880)
	Package Dimensions	W: In. (mm)		38-9/16 (980)
		D: In. (mm)		16-9/16 (420)
		H: In. (mm)		39 (990)
Unit Weight	Lbs. (kg)		119 (54)	
Package Weight	Lbs. (kg)		139 (63)	
Outdoor Unit Operating Temperature Range	Cooling Air Temp (Maximum / Minimum)*	°F	115 / 14	
	Cooling Thermal Lock-out / Re-start Temperatures**	°F	-4 / 0	
Refrigerant	Type		R410A	
	Charge	Lbs, oz	4, 3	
Piping	Gas Pipe Size O.D. (Flared)	In. (mm)	5/8 (15.88)	
	Liquid Pipe Size O.D. (Flared)	In. (mm)	3/8 (9.52)	
	Maximum Piping Length	Ft. (m)	100 (30)	
	Maximum Height Difference	Ft. (m)	50 (15)	
	Maximum Number of Bends		10	

**Notes**

AHRI Rated Conditions (Rated data is determined at a fixed compressor speed)	<sup>1</sup> Cooling (Indoor // Outdoor)	°F	80 DB, 67 WB // 95 DB, 75 WB
---	--	----	------------------------------

\*Applications should be restricted to comfort cooling only; equipment cooling applications are not recommended for low ambient temperature conditions.  
 \*\*System cuts out in heating mode to avoid thermistor error and automatically restarts at these temperatures.

## ACCESSORIES: MSY-GL24NA

Anti-allergy Enzyme Filter	☐ MAC-2310FT-E
kumo touch™ RedLINK™ Wireless Controller	☐ MHK2
Deluxe MA Remote Controller <sup>1</sup>	☐ PAR-40MAAU
Simple MA Controller <sup>1</sup>	☐ PAC-YT53CRAU-J
Touch MA Controller <sup>1</sup>	☐ PAR-CT01MAU-SB
Wireless Temperature and Humidity Sensor	☐ PAC-USWHS003-TH-1
System Control Interface <sup>2</sup>	☐ MAC-334IF-E
Wireless Interface 2	☐ PAC-USWHS002-WF-2
Thermostat Interface	☐ PAC-US444CN-1
kumo station®	☐ PAC-WHS01HC-E
USNAP Interface	☐ PAC-WHS01UP-E
IT Extender	☐ PAC-WHS01IE-E
BACnet® and MODBUS® Interface	☐ PAC-UKPRC001-CN-1
Lockdown Bracket for Hand-held Remote Controllers	☐ RCMKP1CB
Blue Diamond Sensor Extension Cable — 15 Ft.	☐ C13-103
Blue Diamond Alarm Extension Cable — 6.5 Ft.	☐ C13-192
Blue Diamond MultiTank — collection tank for use with multiple pumps	☐ C21-014
Blue Diamond Rubber Foot Pads	☐ F10-010
Mini Condensate Pump — 230 volt application	☐ SI30-230
MegaBlue Advanced Blue Diamond Condensate Pump w/ Reservoir & Sensor	☐ X87-835 - 110 to 250V
MaxiBlue Advanced Blue Diamond Mini Condensate Pump w/ Reservoir & Sensor (110V) up to 48,000 BTU/H [recommended]	☐ X87-711 - 110V
Advanced Blue Diamond Mini Condensate Pump w/ Reservoir & Sensor (208/230V) [recommended]	☐ X87-721 - 208/230V
MicroBlue Blue Diamond Mini Condensate Pump (110/208/230V) up to 18,000 BTU/H	☐ X85-003
Fascia Kit for MicroBlue Pump – mounts the MicroBlue and sensor directly beneath the indoor unit	☐ T18-016
Drain Pan Level Sensor	☐ SS610E
(30A/600V/UL) [fits 2" X 4" utility box] - Black	☐ TAZ-MS303
(30A/600V/UL) [fits 2" X 4" utility box] - White	☐ TAZ-MS303W

<sup>1</sup> Requires MAC-334IF-E

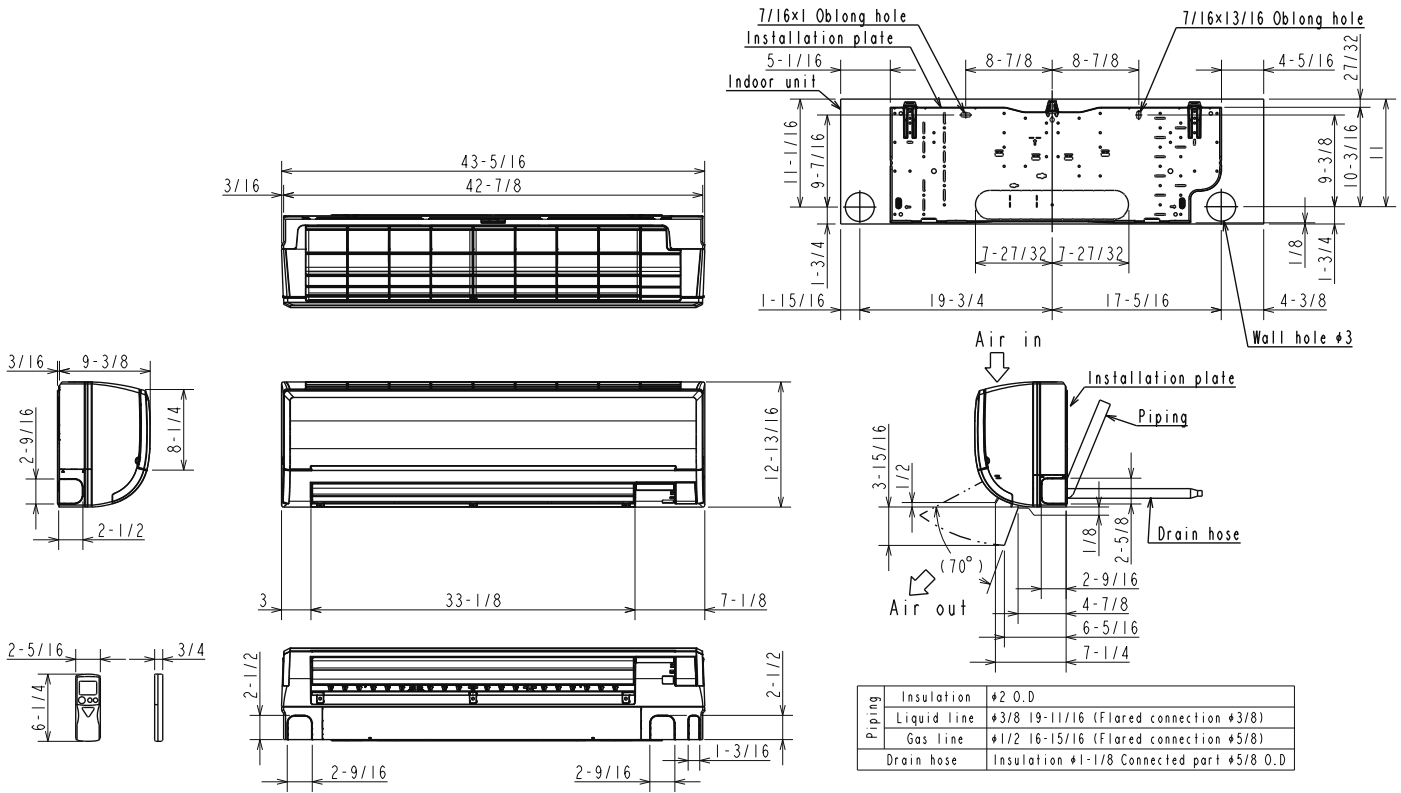
<sup>2</sup> Allows indoor units to connect to an MA Controller

## ACCESSORIES: MUY-GL24NA

Air Outlet Guide	□ MAC-886SG-E
Drain Socket	□ MAC-860DS
Hail Guard	□ HG-A7
Outdoor Unit 3-1/4 inch Mounting Base (Pair) - Plastic	□ DSD-400P
Condensing Unit Mounting Pad 16" x 36" x 3"	□ ULTRILITE1
Outdoor Unit Stand — 12" High	□ QSMS1201M
Outdoor Unit Stand — 18" High	□ QSMS1801M
Outdoor Unit Stand — 24" High	□ QSMS2401M
Heavy Duty Wall Mounting Bracket— Coated Steel	□ QSWB2000M-1
Heavy Duty Wall Mounting Bracket — 316 Series Stainless Steel	□ QSWBSS
10' x 3/8" x 10' x 5/8" Lineset (Twin-Tube Insulation)	□ MPLS385812T-10
15' x 3/8" x 15' x 5/8" Lineset (Twin-Tube Insulation)	□ MPLS385812T-15
30' x 3/8" x 30' x 5/8" Lineset (Twin-Tube Insulation)	□ MPLS385812T-30
50' x 3/8" x 50' x 5/8" Lineset (Twin-Tube Insulation)	□ MPLS385812T-50
65' x 3/8" x 65' x 5/8" Lineset (Twin-Tube Insulation)	□ MPLS385812T-65
100' x 3/8" x 100' x 5/8" Lineset (Twin-Tube Insulation)	□ MPLS385812T-100

# DIMENSIONS: MSY-GL24NA

Unit: inch



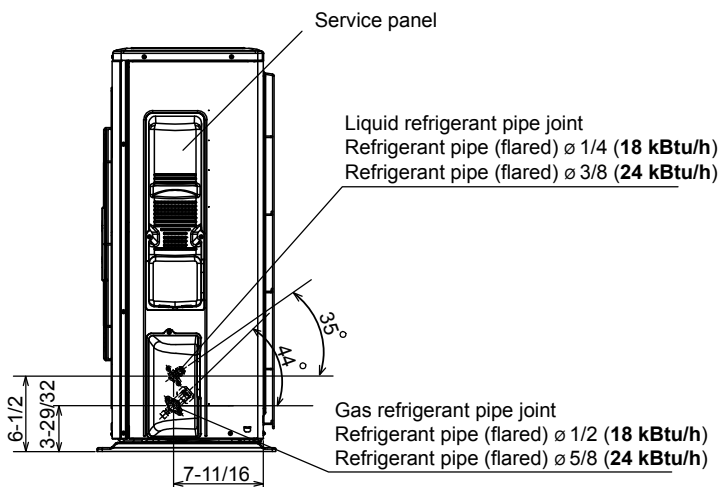
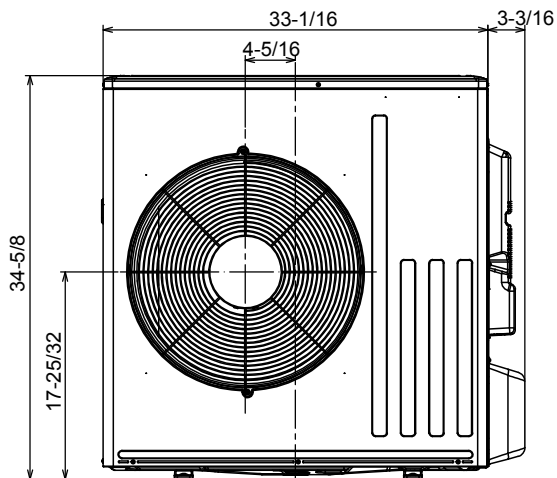
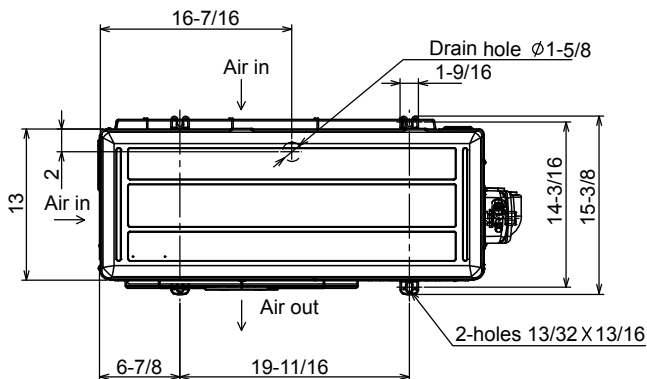
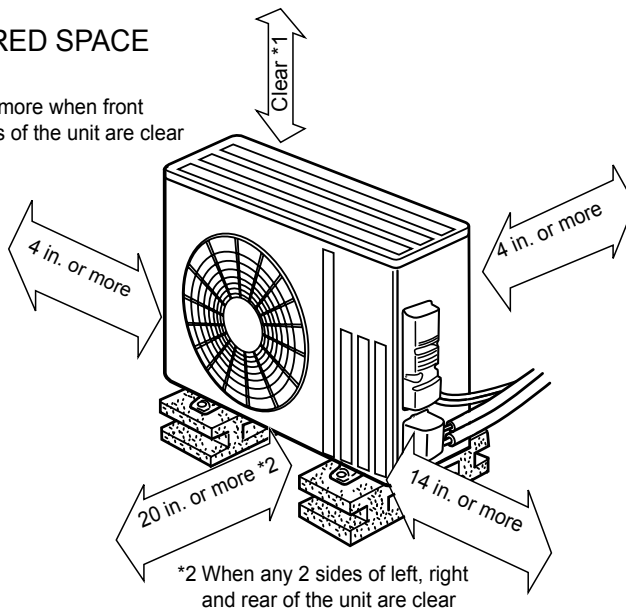
Piping	Insulation	#2 O.D
	Liquid line	#3/8 19-11/16 (Flared connection #3/8)
	Gas line	#1/2 16-15/16 (Flared connection #5/8)
Drain hose	Insulation	#1-1/8 Connected part #5/8 O.D

# DIMENSIONS: MUY-GL24NA

Unit: inch

## REQUIRED SPACE

\*1 20 in. or more when front and sides of the unit are clear



1340 Satellite Boulevard, Suwanee, GA 30024  
Toll Free: 800-433-4822 www.mehvac.com

FORM# MSY-GL24NA / MUY-GL24NA - 202003



Specifications are subject to change without notice.

© 2020 Mitsubishi Electric Trane HVAC US LLC. All rights reserved.