



PARTS CATALOG

[Model name]
<Branch box>

[Service Ref.]

PAC-AK50BC

PAC-AK50BC

PAC-AK30BC

PAC-AK30BC

PAC-AK51BC

PAC-AK51BC

PAC-AK31BC

PAC-AK31BC

PAC-AK52BC

PAC-AK52BC

(Indispensable optional parts for MXZ-8A series and MXZ-8B series.)

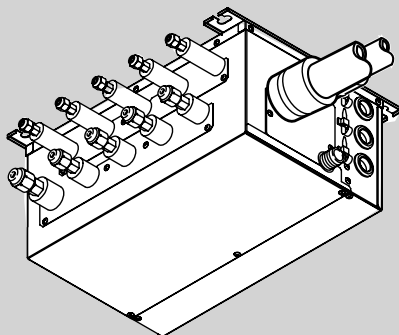
NOTE:

- RoHS compliant products have <G> mark on the spec name plate.

CONTENTS

1. RoHS PARTS LIST 2
2. OPTIONAL PARTS..... Back cover

SERVICE MANUAL (OCH508)



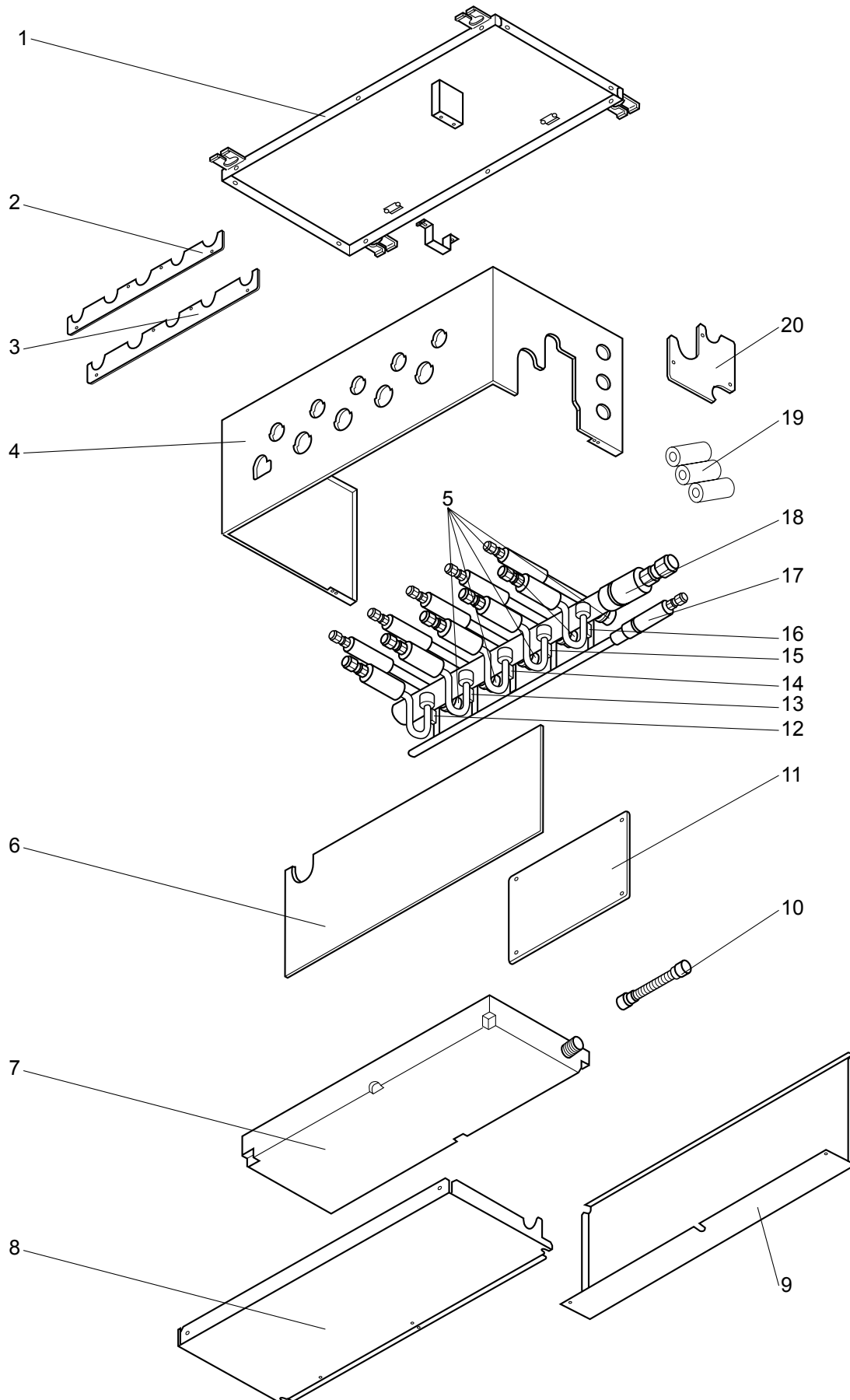
BRANCH BOX

FUNCTIONAL PARTS

BRANCH BOX : PAC-AK50BC

PAC-AK51BC

PAC-AK52BC





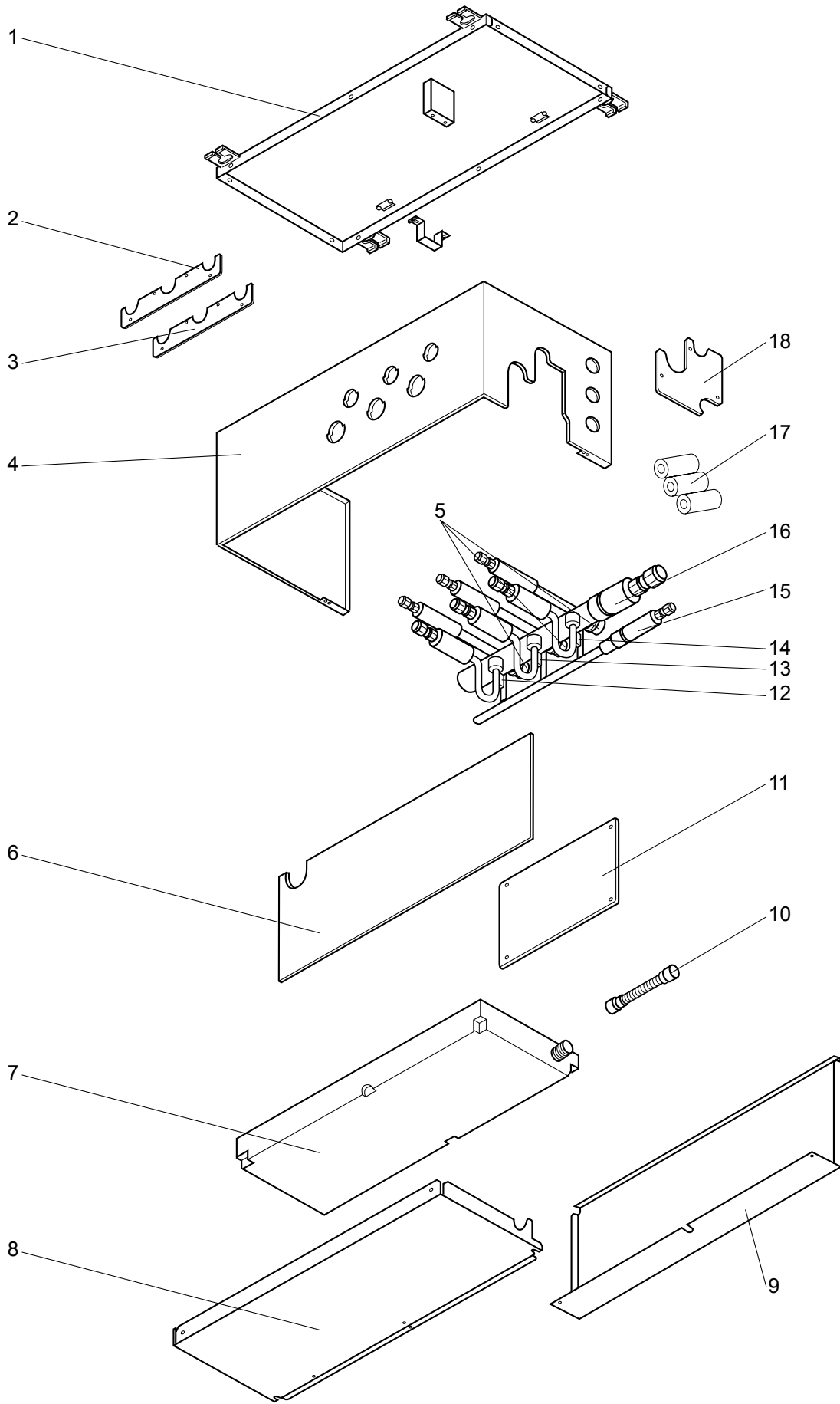
Part numbers that are circled are not shown in the figure.

No.	ROHS	Part No.			Part Name	Specification	Q'ty/set			Remarks	Wiring Diagram Symbol	Recommended Q'ty
							PAC-AK					
							50BC	51BC	52BC			
1	G	R01	E22	641	TOP PANEL		1	1	1			
2	G	R01	E11	689	COVER-L		1	1	1			
3	G	R01	E13	689	COVER-G		1	1	1			
4	G	R01	E35	661	SIDE PANEL		1	1	1			
5	G	R01	E36	242	LEV COIL		5	5	5		LEV-A-E	
6	G		-		SEPARATOR		1			(BH00G766G04)		
	G		-		SEPARATOR			1	1	(BH00G766G06)		
7	G	R01	E33	529	DRAIN PAN		1	1	1			
8	G	R01	E02	669	UNDER PANEL		1					
	G	T7W	E02	669	UNDER PANEL			1	1			
9	G	R01	E16	689	CONTROLLER COVER		1					
	G	T7W	E11	689	CONTROLLER COVER			1	1			
10	G	R01	E07	527	DRAIN HOSE		1	1	1			
11	G	R01	H80	310	CONTROLLER BOARD		1				B.C	
	G	T7W	E93	310	CONTROLLER BOARD			1			B.C	
	G	T7W	F01	310	CONTROLLER BOARD				1		B.C	
12	G	R01	H20	202	THERMISTOR-A		1	1	1		TH-A	
13	G	R01	H21	202	THERMISTOR-B		1	1	1		TH-B	
14	G	R01	H22	202	THERMISTOR-C		1	1	1		TH-C	
15	G	R01	H23	202	THERMISTOR-D		1	1	1		TH-D	
16	G	R01	H24	202	THERMISTOR-E		1	1	1		TH-E	
17	G	R01	E98	401	LEV ASSY		1	1	1			
18	G	R01	E09	419	HEADER-G ASSY		1	1	1			
19	G	R01	E01	660	PIPE COVER (SET)		1	1	1			
20	G	R01	E15	689	COVER-U		1	1	1			
②1	G	R01	E31	246	TERMINAL BLOCK	3P(S1, S2, S3)	1	1	1		TB2B	
②2	G	R01	E20	246	TERMINAL BLOCK	3P(S1, S2, S3)	5	5	5		TB3A-E	
②3	G	R01	E06	239	FUSE	250V 6.3A	1				F1	
	G	R01	E14	239	FUSE	250V 6.3A		1	1		F1	

FUNCTIONAL PARTS

PAC-AK30BC

PAC-AK31BC





Part numbers that are circled are not shown in the figure.

No.	RoHS	Part No.			Part Name	Specification	Q'ty/set		Remarks	Wiring Diagram Symbol	Recommended Q'ty
							PAC-AK				
							30BC	31BC			
1	G	R01	E22	641	TOP PANEL		1	1			
2	G	R01	E12	689	COVER-L		1	1			
3	G	R01	E14	689	COVER-G		1	1			
4	G	R01	E36	661	SIDE PANEL		1	1			
5	G	R01	E36	242	LEV COIL		3	3		LEV-A-C	
6	G		-		SEPARATOR		1		(BH00G766G04)		
	G		-		SEPARATOR			1	(BH00G766G06)		
7	G	R01	E33	529	DRAIN PAN		1	1			
8	G	R01	E02	669	UNDER PANEL		1				
	G	T7W	E02	669	UNDER PANEL			1			
9	G	R01	E16	689	CONTROLLER COVER		1				
	G	T7W	E11	689	CONTROLLER COVER			1			
10	G	R01	E07	527	DRAIN HOSE		1	1			
11	G	R01	H80	310	CONTROLLER BOARD		1			B.C	
	G	T7W	E93	310	CONTROLLER BOARD			1		B.C	
12	G	R01	H20	202	THERMISTOR-A		1	1		TH-A	
13	G	R01	H21	202	THERMISTOR-B		1	1		TH-B	
14	G	R01	H22	202	THERMISTOR-C		1	1		TH-C	
15	G	R01	E99	401	LEV ASSY		1	1			
16	G	R01	E10	419	HEADER-G ASSY		1	1			
17	G	R01	E01	660	PIPE COVER (SET)		1	1			
18	G	R01	E15	689	COVER-U		1	1			
①9	G	R01	E31	246	TERMINAL BLOCK	3P(S1, S2, S3)	1	1		TB2B	
②0	G	R01	E20	246	TERMINAL BLOCK	3P(S1, S2, S3)	3	3		TB3A-C	
②1	G	R01	E06	239	FUSE	250V 6.3A	1			F1	
	G	R01	E14	239	FUSE	250V 6.3A		1		F1	

FOR BRANCH BOX

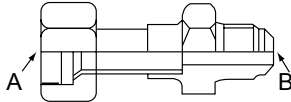
Different-diameter joint (Optional parts)

<Reference>

Conversion formula

Part No.	Connected pipes diameter	Diameter A	Diameter B
	mm	mm	mm
MAC-A454JP	$\phi 9.52 \rightarrow \phi 12.7$	$\phi 9.52$	$\phi 12.7$
MAC-A455JP	$\phi 12.7 \rightarrow \phi 9.52$	$\phi 12.7$	$\phi 9.52$
MAC-A456JP	$\phi 12.7 \rightarrow \phi 15.88$	$\phi 12.7$	$\phi 15.88$
PAC-493PI	$\phi 6.35 \rightarrow \phi 9.52$	$\phi 6.35$	$\phi 9.52$
PAC-SG76RJ-E	$\phi 9.52 \rightarrow \phi 15.88$	$\phi 9.52$	$\phi 15.88$

1/4 inch	$\phi 6.35\text{mm}$
3/8 inch	$\phi 9.52\text{mm}$
1/2 inch	$\phi 12.7\text{mm}$
5/8 inch	$\phi 15.88\text{mm}$
3/4 inch	$\phi 19.05\text{mm}$



Item	Part No.
Special optional cover for outdoor installation of branch box	PAC-AK350CVR-E

 **MITSUBISHI ELECTRIC CORPORATION**

HEAD OFFICE : TOKYO BLDG., 2-7-3, MARUNOUCHI, CHIYODA-KU, TOKYO100-8310, JAPAN