

## MULTI-ZONE SYSTEMS MINI-SPLIT SUBMITTAL DATA

SUBMITTAL DATA: 2PAMSH09-MZW, 2PAMSH12-MZW, 2PAMSH18-MZW, 2PAMSH18-MZO2, 2PAMSH27-MZO3, 2PAMSH36-MZO4 & 2PAMSH48-MZO5

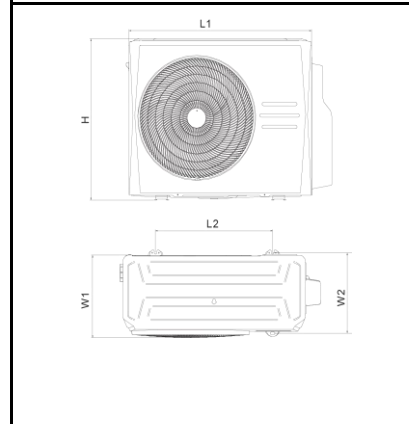
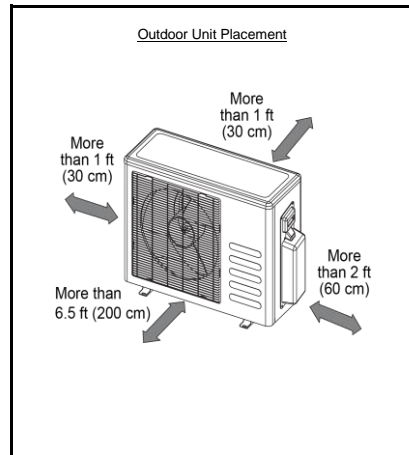
Job Name:	
Purchaser:	
Submitted To:	
Submitted By:	
System Designation:	
Location:	

Date:	
Reference:	<input type="checkbox"/>
Approval:	<input type="checkbox"/>
Construction:	<input type="checkbox"/>
Schedule No:	
Engineer:	
Notes:	

Indoor Model #s: 2PAMSH09-MZW, 2PAMSH12-MZW, 2PAMSH18-MZW  
Indoor Model data is located on page 2.

Outdoor Model #s: 2PAMSH18-MZO2, 2PAMSH27-MZO3, 2PAMSH36-MZO4 & 2PAMSH48-MZO5

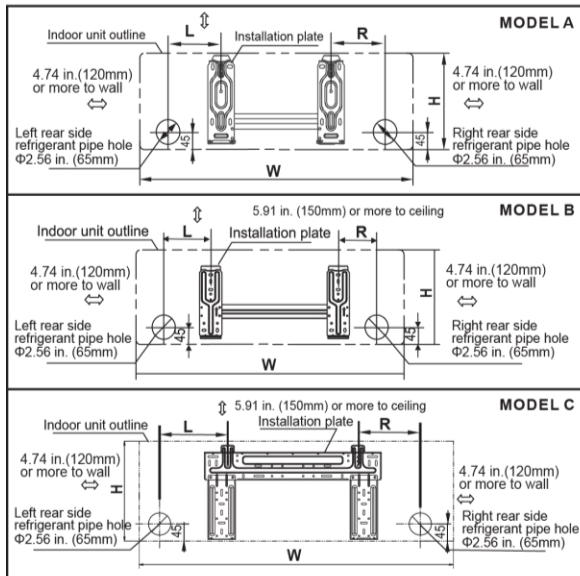
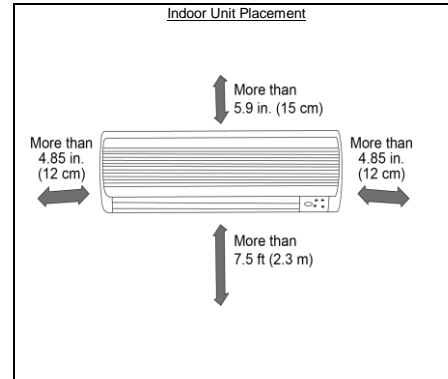
Outdoor model		2PAMSH18-MZO2	2PAMSH27-MZO3	2PAMSH36-MZO4	2PAMSH48-MZO5
Power Supply	Ph-V-Hz	208-230V~60Hz, 1Ph	208-230V~60Hz, 1Ph	208-230V~60Hz, 1Ph	208-230V~60Hz, 1Ph
Cooling	Capacity	Btu/h 18,000	28,000	36,000	48,000
	Capacity Range	Btu/h 4197~19906	6630~30230	8190~37390	10560~53160
	Total Input	W 409~2003	670~3210	920~4325	--
	EER	BTU 12.5	12.5	11.5	12.5
	SEER	22.5	23	22.5	22.4
	Sensible Heat Factor	0.78	0.81	0.82	--
Heating at 47°F / H12	Capacity	Btu/h 19,000	28000	36000	48000
	Capacity Range	Btu/h 2225~23475	3690~32860	4940~38000	7210~55820
	Total Input	W 347~2142	1400~3530	1070~2965	--
	COP	3.65	3.9	3.4	3.6
	HSPF4	10.3	10.3	10.2	10.2
	HSPF5	8.8	8.5	9.0	8.3
Heating at 17°F / H32	Rated Capacity	Btu/h 11822	16800	25380	29600
	Rated Total Input	W 1216	1825	2795	--
	Maximum Capacity	Btu/h 12000	16890	25640	--
Heating at 5°F	Maximum Capacity	Btu/h 13,900	21900	28000	34900
Heating at 0°F	Maximum Capacity	Btu/h 12505	19860	17300	--
Low Temp. Heating Capacity 5°F	Btu/h	14200	20900	28800	--
MINIMUM CIRCUIT AMPACITY	A	18.0	25.0	30.0	35.0
MAX.FUSE	A	25.0	35.0	45.0	50.0
Compressor	Model	ATM150D23UFZ	ATF235D22UMT	ATF310D43UMT	ATQ360D1UMU
	Type	ROTARY	ROTARY	ROTARY	Twin-ROTARY
	Brand	GMCC	GMCC	GMCC	GMCC
	Capacity	Btu/h 15388	24345	32380	38214
	Input	W 1170	1970	2600	3040
	Refrigerant Oil/Oil Charge	ml VG74/500	POE(VG74)/670	PQE(VG74)/1000	VG74/1400
Outdoor Fan Motor	Model	ZKFN-50-8-2	ZKFN-120-8-2	ZKFN-120-8-2	ZKFN-85-8-22
	Brand	Shibaura	Welling	Welling	Welling
	Speed	r/min 150/200/250/300/350/450/550/650/800/850	150/200/250/300/400/500/600/750/900/1000	150/200/250/300/400/500/600/750/900/1000	150/200/250/300/400/500/600/700/800/870
Outdoor Air Flow	CFM	1355	2130	2355	4500
Outdoor Noise Level	dB(A)	62.4	63.4	62.3	64
Outdoor Unit	Dimension (W*D*H)	inch 33.27x14.29x27.64	37.24x16.14x31.89	37.24x16.14x31.89	37.48x16.34x52.48
	Packing (W*D*H)	inch 37.99x15.55x29.72	42.91x19.69x34.06	42.91x19.69x34.06	43.11x19.49x58.27
	Net/Gross Weight	lbs. 105.82/114.64	149.91/160.94	156.53/167.55	223.77/255.07
Refrigerant Type	oz R410A/68	R410A/98.8	R410A/105.8	R410A/162.3	
Refrigerant Precharge (PER ZONE)	ft	25	25	25	25
Additional Charge For Each Lineal Foot over 25 ft PER ZONE	oz	0.161	0.161	0.161	0.32
Design Pressure	PSIG	550/340	550/340	550/340	550/340
Refrigerant Piping	Liquid side/ Gas side	(inch) (1/4" X 3/8")	(1/4" x 3/8")	(4 x 1/4"x 3x3/8" + 1 x 1/2")	5x1/4"/3x3/8" +2x1/2"
	Max. Length for All Rooms	ft 98	148	197	262
	Max. Length for 1 Indoor Unit	ft 66	82	98	115
	Max. Height Difference Between Indoor & Outdoor Unit - <i>OU higher than IU</i>	ft 33	33	33	49
	Max. Height Difference Between Indoor & Outdoor Unit - <i>OU lower than IU</i>	ft 49	49	49	-
	Max. Height Difference Between Indoor Units	ft 33	33	33	33
Ambient temperature	cooling	°F -13~122	-13~122	-13~122	-13~122
	heating	°F -13~86	-13~86	-13~86	-13~86



Outdoor Unit Dimensions (in.)			Mounting Dimensions (in.)	
L1	W1	H	L2	W2
29.9	11.2	23.2	20.9	11.4
31.9	12.2	22.0	21.6	12.8
31.5	13.1	21.8	22.0	13.2
33.3	13.4	27.6	23.2	13.1
33.3	12.6	27.6	25.0	15.9
35.4	12.4	33.9	25.2	15.9
37.2	16.5	31.9	24.6	14.4
36.9	15.4	53.9	20.2	13.4
37.4	16.1	52.5	21.3	13.8
37.2	15.6	31.9	26.5	15.9
39.0	13.6	38.0	25.0	15.9

**SUBMITTAL DATA: 2PAMSH09-MZW, 2PAMSH12-MZW, 2PAMSH18-MZW, 2PAMSH18-MZO2, 2PAMSH27-MZO3, 2PAMSH36-MZO4 & 2PAMSH48-MZO5**

Indoor Model			2PAMSH09-MZW	2PAMSH12-MZW	2PAMSH18-MZW
Power Supply		Ph-V-Hz	230V~ 60Hz, 1Ph	230V~ 60Hz, 1Ph	230V~ 60Hz, 1Ph
Cooling	Capacity	Btu	9,000	12,000	18,000
	Model		ZKFP-20-8-6	ZKFP-20-8-6	ZKFP-58-8-1
Indoor Fan Motor	Brand		Welling	Welling	Welling
	Input	W	20 (Output)	20 (Output)	58 (Output)
Indoor Air Flow (Hi/Mi/Lo)		CFM	264/205/141		
Indoor Noise Level (Hi/Mi/Lo)		dB(A)	39/-/24.5	39/-/25	45.5/-/34.5
Indoor Unit	Dimension (W*D*H)	inch	31.57x7.44x11.69	31.57x7.44x11.69	42.52x8.90x13.19
	Packing (W*D*H)	mm	34.45x11.22x14.76	34.45x11.22x14.76	45.47x16.34x12.40
	Net/Gross Weight	lbs.	18.1/22.0	18.1/22.0	29.1/37.0
Thermostat Type			Remote Control	Remote Control	Remote Control
Operation Temperature	Indoor (Cooling/Heating)	°F	62~90/32~86	62~90/32~86	62~90/32~86
	Outdoor (Cooling/Heating) - Optional Low Ambient	°F	5~122/5~86	5~122/5~86	5~122/5~86
Application Area (Cooling Standard)		sq. ft	129-189	172-252	251-368



Indoor Unit Dimension - Width		Indoor Unit Dimension - Height		Mounting Dimensions - L(Left)		Mounting Dimensions - R(Right)	
mm	in.	mm	in.	mm	in.	mm	in.
710	27.95	250	9.84	100	3.94	160	6.30
790	31.10	265	10.43	100	3.94	150	5.91
920	36.22	292	11.50	150	5.91	185	7.28
1080	42.52	330	12.99	70	2.76	105	4.13
790	31.10	275	10.83	100	3.94	85	3.35
930	36.61	275	10.83	150	5.91	205	8.07
998	39.29	322	12.68	100	3.94	120	4.72
680	26.77	255	10.04	170	6.69	92	3.62
770	30.31	255	10.04	170	6.69	95	3.74
905	35.63	275	10.83	80	3.15	100	3.94
750	29.53	280	11.02	180	7.09	110	4.33
835	32.87	280	11.02	140	5.51	110	4.33
990	38.98	315	12.40	260	10.24	135	5.31
1186	46.69	343	13.50	275	10.83	275	10.83
900	35.43	290	11.42	83	3.27	170	6.69
1045	41.14	305	12.01	100	3.94	170	6.69
715	28.15	250	9.84	85	3.35	88	3.46
800	31.50	275	10.83	100	3.94	95	3.74
940	37.01	275	10.83	110	4.33	100	3.94
1045	41.14	315	12.40	293	11.54	163	6.42
795	31.30	270	10.63	150	5.91	160	6.30
845	33.27	286	11.26	150	5.91	186	7.32
995	39.17	295	11.61	150	5.91	200	7.87
1084	42.68	320	12.60	150	5.91	140	5.51
850	33.46	275	10.83	100	3.94	130	5.12
900	35.43	285	11.22	150	5.91	90	3.54
1015	39.96	298	11.73	150	5.91	200	7.87
850	33.46	290	11.42	100	3.94	115	4.53