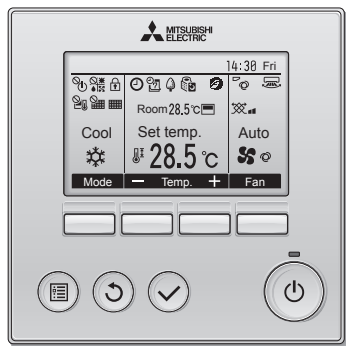


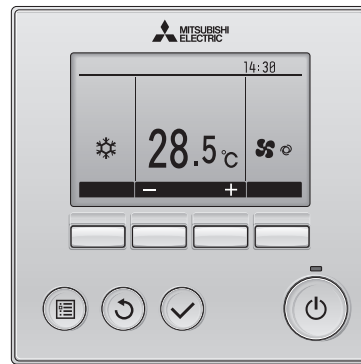
Job Name:

System Reference:

Date:



Full View



Basic View

**CAPABILITIES**

- Basic Operations
  - On/Off
  - Operation Mode: Cool, Dry, Fan, Heat, Auto (Dual or Single set point)
  - Set Temperature
  - Fan Speed
  - Daylight Savings Time (DST)
- Vane setting: Auto, Step 1-5, Swing
- Louver: Off, Swing On
- Vent. (Lossnay): Off, Low, High
  - Manual vane angle: No Setting, Step 1-5, Draft reduction, All outlet
    - Draft reduction mode keeps the vane angle more horizontal than the angle of Step 1
- Restriction
  - Set Temperature range limit
  - Operation lock: On/Off, Mode, Set Temp, Vane
- High power
  - Operate at higher-than-normal capacity to bring room to set temperature quickly for up to 30 minutes
- No Occupancy Auto-OFF
  - 3D i-See sensor required
- On/Off timer
  - Set On Time in 5-minute increments
  - Set Off Time in 5-minute increments
  - Repeat daily
  - Home screen display icon
- Auto-Off timer
  - Automatically turns unit off after preset time
  - Time range of 30 to 240 minutes in 10-minute increments
  - Home screen display icon
- Weekly timer
  - Set each day Monday through Sunday
  - 1 to 4 time periods per day in 5-minute increments
  - Set Mode: On/Off/Auto (Dual set point)
  - On/Off/Auto
  - Set Temperature
- Outdoor Unit silent mode
  - Schedulable: Mon, Tue, Wed, Thu, Fri, Sat, Sun
  - Start/Stop times in 5-minute increments
  - Silent Levels: Normal, Middle, Quiet
- Energy saving features:
  - Automatic return to preset temperature setpoint if set point is changed from the remote controller after a preset time range
    - Cool preset temp: Cool, Dry, Auto-Cool
    - Heat preset temp: Heat, Auto-Heat
    - Range of 30 to 120 minutes in 10-minute increments
  - Energy-saving Operation Schedule
    - Operation schedule
    - Four daily patterns with time periods in 5-minute increments and energy-saving rate 0% to 90%
    - 7 day programming
- Night setback
  - Starts Heat/Cool operation when room temperature exceeds preset temperature range
  - Adjustable time range in 5-minute increments
- Main display
  - Full: Shows all icons and values
  - Basic: Limited to Mode, Set Temp., Fan, Time & Day
- Backlight Display
- Adjustable Contrast Level
  - Language: English, French, Spanish, Italian, Portuguese, Greek, Turkish, Swedish
- CITYMULTI® Function setting
- Filter maintenance notification
- Error code notification

\*(All Capabilities are dependent on the model connected)

# PAR-33MAA-J - SPECIFICATIONS AND DIMENSIONS

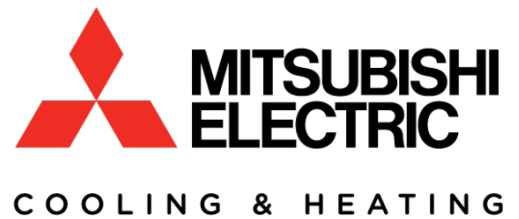
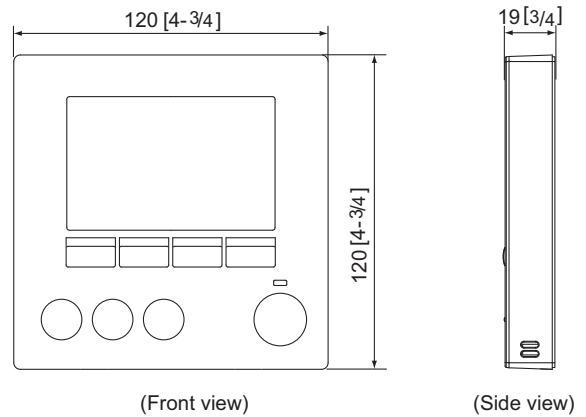
## SPECIFICATIONS

Product size (W x H x D)	In. (mm)	4 3/4 x 4 3/4 x 3/4 (120 x 120 x 19)
Net weight	Lbs. (kg)	9/16 (0.25)
Rated power supply voltage		12 VDC (supplied from indoor units)
Power consumption	W	0.3
Usage environment		Temperature: 0 to 40° C (32 to 104° F) Humidity: 30 to 90%RH (with no condensation)
Material	Panel	PMMA
	Main body	PC + ABS
Sound Pressure Level	dB(A)	<70 [A-weighted sound pressure level] <sup>*1</sup>

\*1 Per Machinery Directive 2006/42/EC

Notes:

## DIMENSIONS



1340 Satellite Boulevard, Suwanee, GA 30024  
Toll Free: 800-433-4822 www.mehvac.com

FORM# PAR-33MAA-J MA Remote Controller for CITYMULTI® - 201706



Specifications are subject to change without notice.

Copyright © 2017 Mitsubishi Electric US, Inc.