



PORTABLE AIR CONDITIONER

USER MANUAL

FOR MODELS:

PORT8000A

PORT10000A

PORT12000A



Before using your air conditioner, please read this manual carefully and keep it for future reference, along with your receipt.

CONSUMER PRODUCT INFORMATION

For your own records, please attach a copy of your sales receipt to this manual and complete the following:

Model Number: _____ Serial Number: _____

Purchase Date: _____ Store Purchased: _____

Installation Date: _____ Installation Co.: _____

Installer Name: _____ Installer Phone No.: _____

CONTENTS

SAFETY PRECAUTIONS.....	1
IDENTIFICATION OF PARTS	3
INSTALLATION INSTRUCTIONS	5
CARE AND MAINTENANCE.....	10
AIR CONDITIONER FEATURES.....	11
OPERATING INSTRUCTIONS.....	12
TROUBLESHOOTING.....	14

This manual provides the information needed for proper use and maintenance of this air conditioner. Basic preventative care can help extend the life of this unit. The “Troubleshooting” section in this manual contains a chart with solutions to the most common problems. Referring to this section may save time and prevent the need for a service call in the event of a problem.

NOTE: The Energy Rating for this unit is based on an installation using an unextended exhaust duct without adapters A or B (as shown in the Installation Section of this manual).

OPERATING CONDITIONS

The air conditioner must be operated within the temperature range indicated below:

MODE	ROOM TEMPERATURE
COOL	62°F (17°C)–86°F (35°C)
DRY	55°F (13°C)–86°F (35°C)

NOTE: Performance may be reduced outside of these operating temperatures.

ENERGY SAVING TIPS

- Use the unit in the recommended room size.
- Locate the unit where furniture cannot obstruct the air flow.
- Keep blinds/curtains closed during the sunniest part of the day (cooling mode).
- Keep the filters clean.
- Keep doors and windows closed to keep cool air in and warm air out (cooling mode) or keep warm air in and cool air out (heating mode for units with heat function).

NOTE: All the illustrations in this manual are for explanation purposes only. Unit purchased may be slightly different.

The design and specifications are subject to change without prior notice for product improvement. Contact Consumer Services at 844-4PA-AIRE (844-472-2473) for details.

SAFETY PRECAUTIONS

READ SAFETY PRECAUTIONS BEFORE INSTALLATION


To prevent injury to the user or other people and property damage, the following instructions must be followed. Incorrect operation due to ignoring of instructions may cause harm or damage.


 **NEVER DO THIS.**


 **ALWAYS DO THIS.**


WARNING

 **DO NOT** store or use gasoline or other flammable vapors and liquids in the vicinity of this or any other appliance.

 **DO NOT** use an extension cord or an adapter plug; avoid fire hazard or electric shock. Do not remove any prong from the power cord..

 Be sure the electrical service is adequate for the model you have chosen. This information can be found on the serial plate, which is located on the side of the cabinet and behind the grille.

 Be sure the air conditioner is properly grounded. To minimize shock or fire hazards, proper grounding is important. The power cord is equipped with a three-prong grounding plug for protection against shock hazards.

 Your air conditioner must be used in a properly grounded wall receptacle. If the wall receptacle you intend to use is not adequately grounded or protected by a time delay fuse or circuit breaker, have a qualified electrician install the proper receptacle.

 Ensure the receptacle is accessible after the unit installation.

CAUTION

- Contact a qualified installer for installation of this unit if necessary.
- Contact a qualified service technician for repair or maintenance of this unit.
- The air conditioner is not intended for use by young children without supervision. Young children should be supervised to ensure that they do not play with the air conditioner.
- If the power cord is to be replaced, replacement work should be performed by authorized personnel only.
- Installation and repair work must be performed in accordance with the national wiring standards by authorized personnel only.
- **DO NOT** operate your air conditioner in a wet room such as a bathroom or laundry room.
- This appliance can be used by persons with reduced physical, sensory or mental capabilities or lack of experience and knowledge if they have been given supervision or instruction concerning use of the appliance in a safe way and understand the hazards involved. Cleaning and user maintenance shall not be made by children without supervision.
- Children should be supervised to ensure that they do not play with the appliance.
- Disabled persons may require assistance with setup and/or use.
- **DO NOT** operate the appliance with a damaged cord or plug. Call Consumer Services at 844-472-2473 if the power supply cord and/or plug is damaged; it must be replaced by a qualified service technician in order to avoid a hazard.
- Prior to cleaning or other maintenance, the appliance must be disconnected from its main power supply.
- **DO NOT** install the appliance in a location that may be exposed to combustible gas.
- If combustible gas (or other flammable liquids or vapors) accumulates around the unit, it may cause fire.
- **DO NOT** run cord under carpeting. Do not cover cord with throw rugs, runners, or similar coverings. Do not route cord under furniture or appliances. Arrange cord away from traffic area and where it will not be tripped over.
- To reduce the risk of fire or electric shock, do not use the appliance with any solid-state speed control device.
- The appliance shall be installed in accordance with national wiring regulations.
- When there are differences between “USER MANUAL” and “Remote Control Manual” on function description, the description on “USER MANUAL “ shall prevail.

SAFETY PRECAUTIONS

Please read through these instructions before you start the installation process. Improper installation can cause damage to the unit, your personal property, and also poses a personal safety hazard.

- Installation must be performed according to the installation instructions. Improper installation can cause water leakage, electrical shock, or fire.
- Use only the included accessories and parts, and specified tools for the installation. Using non-standard parts can cause water leakage, electrical shock, fire, and injury or property damage.
- Make sure that the outlet you are using is grounded and has the appropriate voltage. The power cord is equipped with a three-prong grounding plug to protect against shock. Voltage information can be found on the side of the unit, behind the grille. If the wall receptacle you intend to use is not adequately grounded or protected by a time delay fuse or circuit breaker, have a qualified electrician install the proper receptacle.
- Ensure the receptacle is accessible after the unit installation.
- Install the unit on a flat, level, sturdy surface. Failure to do so could result in damage or excessive noise and vibration.
- The unit must be kept free from obstruction to ensure proper function and to mitigate safety hazards.
- **DO NOT** modify the length of the power cord or use an extension cord to power the unit.
- **DO NOT** share a single outlet with other electrical appliances. Improper power supply can cause fire or electrical shock.
- **DO NOT** remove any prong from the power cord.
- **DO NOT** install your air conditioner in a wet room such as a bathroom or laundry room. Too much exposure to water can cause electrical components to short circuit. Your air conditioner should be used in such a way that it is protected from moisture (i.e. condensation, splashed water, etc.). Do not place your air conditioner where it can fall or be pulled into water or any other liquid. If the unit does ever fall into water, unplug it immediately.
- **DO NOT** install the unit in a location that may be exposed to combustible gas or other flammable liquids or vapors as this could cause fire.
- The unit has wheels to facilitate moving. Make sure not to use the wheels on thick carpet or to roll over objects, as these could cause tipping. Always transport your air conditioner in a vertical position and stand on a stable, level surface during use.
- **DO NOT** operate a unit that has been dropped or damaged.
- **DO NOT** remove any fixed covers from the unit.
- Only use the included accessories and specified parts for installation. Using nonstandard parts can cause water leakage, electrical shock, fire, and injury or property damage.
- The unit must be kept free from obstruction to ensure proper function. Keep an air path of at least 12 in (30 cm) all around the unit from walls, furniture, and curtains.
- **DO NOT** allow children to play with the air conditioner. Children must be supervised around the unit at all times.
- If the air conditioner is knocked over during use, turn the unit off and unplug it from the main power supply immediately. Visually inspect the unit to ensure there is no damage. If you suspect the unit has been damaged, contact a technician or customer service for assistance.
- In a thunderstorm, the power must be cut off to avoid damage to the machine due to lightning.
- Turn off the product when not in use.
- **DO NOT** touch the unit or plug with wet or damp hands or when barefoot.
- **DO NOT** press the buttons on the control panel with anything other than your fingers.
- **DO NOT** remove any fixed covers. Never use this appliance if it is not working properly or if it has been dropped or damaged.
- Never use the plug to start or stop the unit. (Always use the switch on the control panel or remote to power the unit on and off.)
- **DO NOT** use this product for functions other than those described in the instruction manual.

IDENTIFICATION OF PARTS





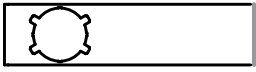




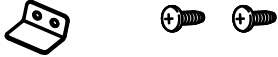
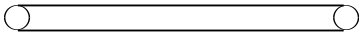
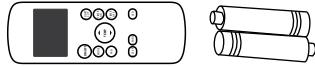
ACCESSORIES

Check that all the accessories are included in the package (Fig. 1) and refer to the installation instructions for their usage. Your Window Installation Kit fits windows 26.5–48 inches (67.5–123 cm) and can be shortened for smaller windows.

Tools Needed:

- Medium Phillips screwdriver
- Tape measure or ruler
- Knife or scissors
- Saw (optional, to shorten window adapter for narrow windows)

FIG. 1

PART	DESCRIPTION	QUANTITY
	Unit Adapter	1 pc
	Exhaust Hose	1 pc
	Window slider Adapter	1 pc
	Bolt	1 pc
	Window Slider A	1 pc
	Window Slider B	1 pc
	Foam Seal A (Adhesive)	2 pcs
	Foam Seal B (Adhesive)	2 pcs
	Foam Seal C (Non-Adhesive)	1 pc
	Security Bracket and 2 Screws	1 set
	Drain Hose	1 pc
	Remote Control and Batteries	1 set

NOTE: All of the illustrations in this manual are for explanation purposes only. Your air conditioner may be slightly different.

PARTS DIAGRAM

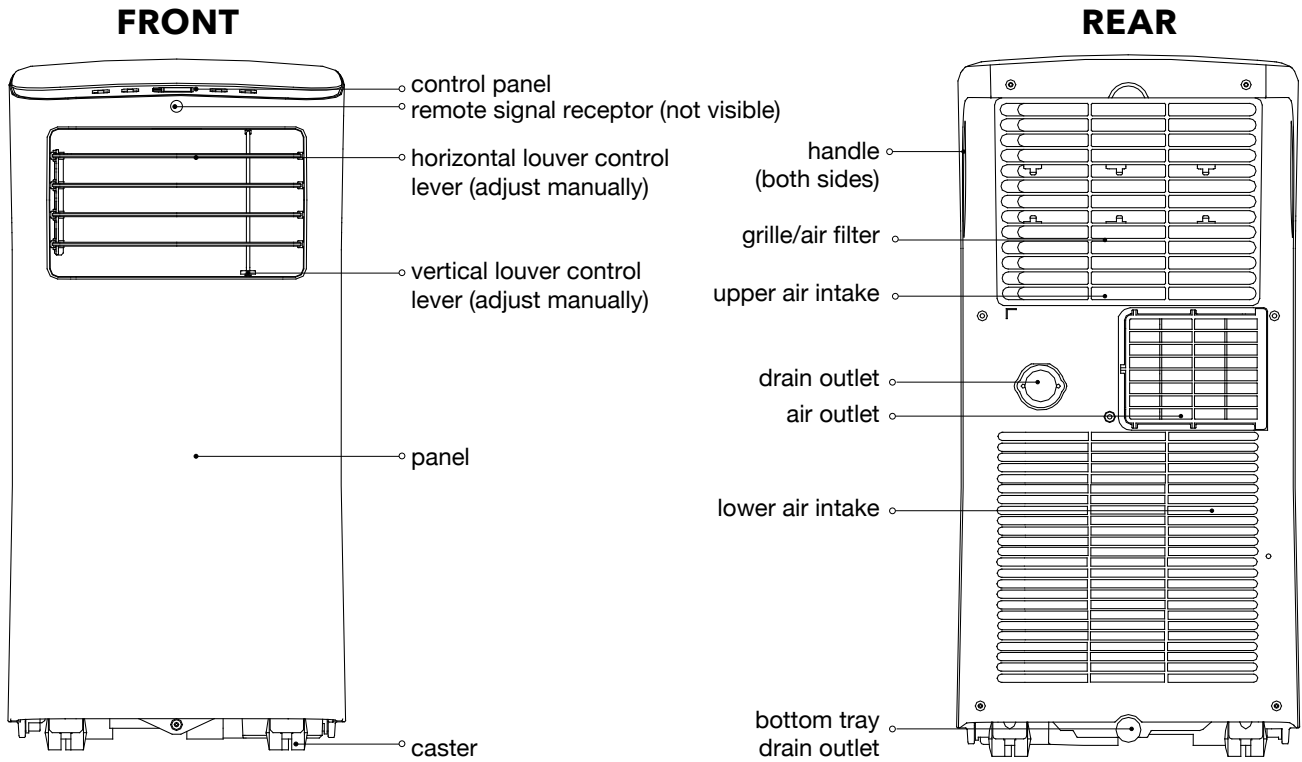


FIG. 2

FIG. 3

ABOUT FLUORINATED GASES

- This air conditioning unit is a hermetically sealed unit that contains fluorinated gases. For specific information on the type of gas and the amount, please refer to the relevant label on the unit itself.
- Installation, service, maintenance and repair of this unit must be performed by a certified technician.
- Product uninstallation and recycling must be performed by a certified technician.
- When the unit is checked for leaks, proper record-keeping of all checks is strongly recommended.

INSTALLATION INSTRUCTIONS

► LOCATION

- The air conditioner should be placed on a firm surface to minimize noise and vibration. For safe and secure positioning, place the unit on a smooth, level floor strong enough to support it.
- The unit has casters to aid placement; it should only be rolled on smooth, flat surfaces. Use caution when rolling on carpeted surfaces. Do not attempt to roll the unit over objects.
- The unit must be installed near a grounded plug; the Collection Tray Drain (found on the back of the unit) must be accessible.
- DO NOT cover the Intakes, Outlets or Remote Signal Receptor of the unit, as this could prevent the unit from running efficiently and can damage the unit.
- Allow at least 12 inches (30cm) of space from the wall for efficient air-conditioning. (See Fig 4.)

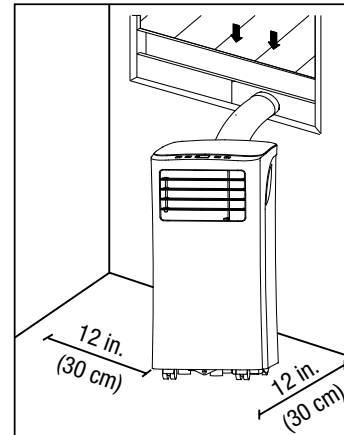


FIG. 4

► WINDOW SLIDER KIT INSTALLATION

Your window slider kit has been designed to fit most standard “vertical” and “horizontal” window applications. However, it may be necessary for you to improvise or modify some aspects of the installation procedures for certain types of windows. Please refer to Fig. 5 and Fig. 6 for minimum and maximum window openings. Window slider kit length can be fixed with a bolt. (See Fig. 7.)

NOTE: If the window opening is less than 2 ft., cut the extension piece (See Fig. 7) shorter so the kit properly fits in the window opening. Only cut if absolutely necessary. Never cut the hole in the window slider kit.

! CAUTION

Make sure there are no obstacles around the air outlet of the exhaust hose (in the range of 20 in. / 500mm) in order for the exhaust system to work properly.

The exhaust hose and adapter must be installed or removed in accordance with the usage mode as indicated below:

COOL or AUTO mode	Install Hose
FAN or DRY mode	Remove Hose

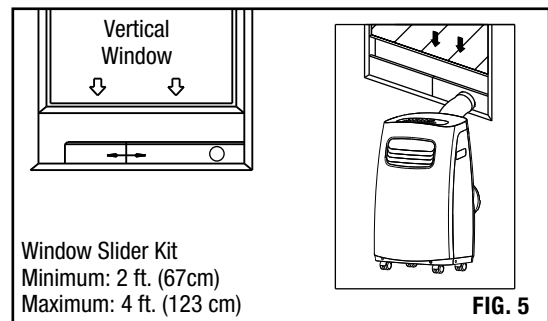


FIG. 5

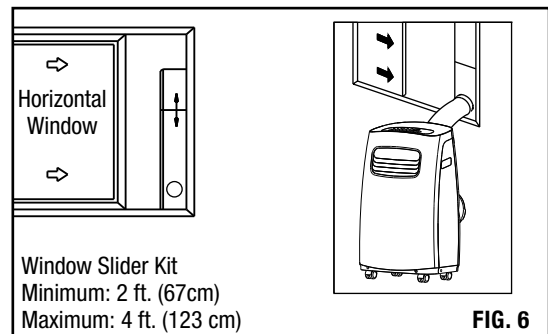


FIG. 6

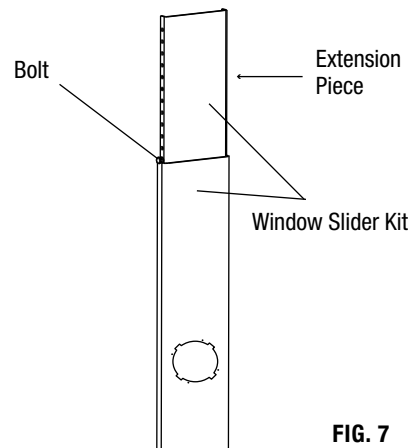


FIG. 7

► **STEP 1:**
PREPARING THE EXHAUST HOSE ASSEMBLY Fig. 8

Press the exhaust hose into the window slider adapter and unit adapter; it will snap automatically to the adapters.

► **STEP 2:**
INSTALL THE EXHAUST HOSE ASSEMBLY TO THE UNIT Fig. 9

Slide the Exhaust hose into the air outlet opening of the unit along the arrow direction, from left to right.

► **STEP 3:**
PREPARING THE ADJUSTABLE WINDOW SLIDER Fig. 10

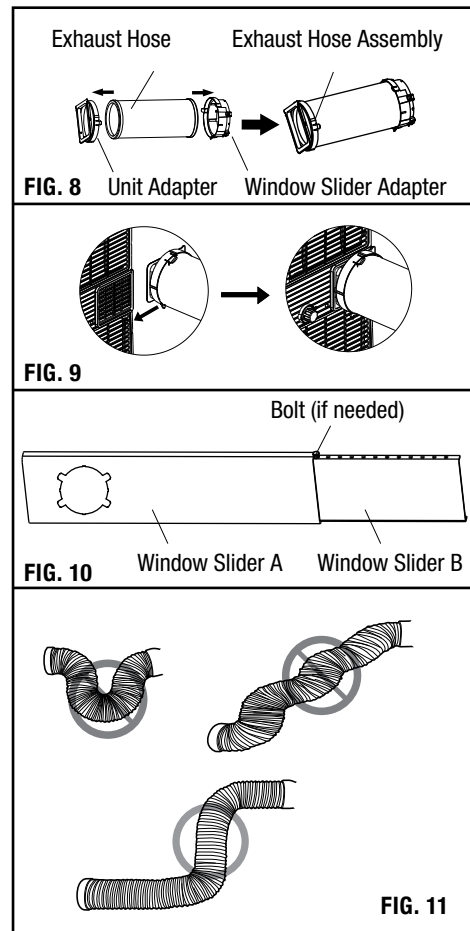
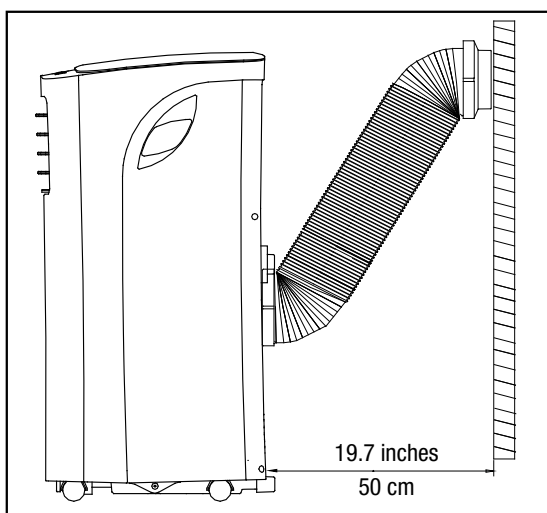
- a. Depending on the size of your window, adjust the size of the window slider.
- b. If the length of the window requires two window sliders, use the bolt (included) to fasten the window sliders once they are adjusted to the proper length.

NOTE: To ensure proper function, **DO NOT** overextend or bend the hose. Make sure that there are no obstacles around the air outlet of the exhaust hose (20 inch clearance) in order to ensure the exhaust system works properly. (Fig. 11.)

Once the Exhaust Hose assembly is prepared, choose from one of the following two installation methods:

- Hung Window Installation (page 7)
- Sliding Window Installation (page 8)

► **RECOMMENDED INSTALLATION**



NOTE: All the illustrations in this manual are for explanation purposes only. Your unit may be slightly different. The actual shape of the unit prevails.

The unit can be controlled by its control panel or with the remote control. This manual does not include remote control operations. See the Remote Control User Manual included with the unit for details.

TYPE 1: HUNG WINDOW INSTALLATION

► STEP 1 Fig. 12

Cut the adhesive foam seal A and B strips to the proper lengths, and attach them to the window sash and frame as shown.

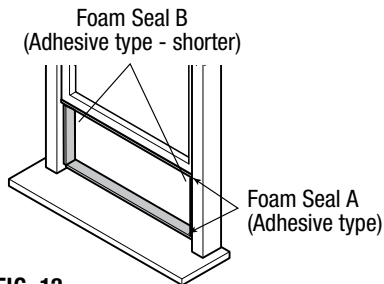


FIG. 12

► STEP 2 Fig. 13

Insert the window slider assembly into the window opening.

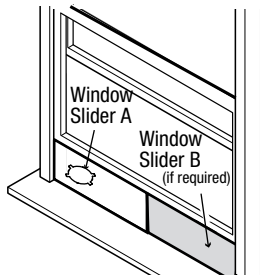


FIG. 13

► STEP 3 Fig. 14

Cut the non-adhesive foam seal C strip to match the width of the window. Insert the seal between the glass and the window frame to prevent air and insects from getting into the room.

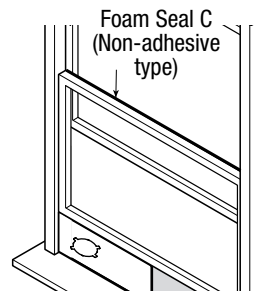


FIG. 14

► STEP 4 Fig. 15

If desired, install the security bracket with 2 screws as shown.

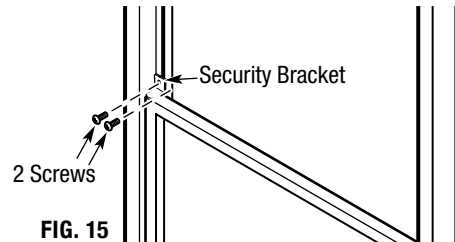


FIG. 15

► STEP 5 Fig. 16

Insert the window slider adapter into the hole of the window slider.

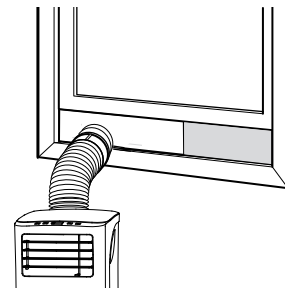


FIG. 16

NOTE: All the illustrations in this manual are for explanation purposes only. Your unit may be slightly different.

TYPE 2: SLIDING WINDOW INSTALLATION

► STEP 1 Fig. 17

Cut the adhesive foam seal A and B strips to the proper lengths, and attach them to the window sash and frame as shown.

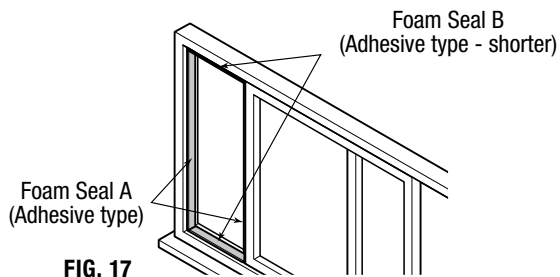


FIG. 17

► STEP 2 Fig. 18

Insert the window slider assembly into the window opening.

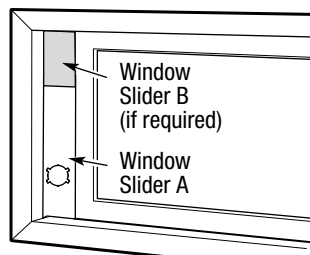


FIG. 18

► STEP 3 Fig. 19

Cut the non-adhesive foam seal C strip to match the width of the window. Insert the seal between the glass and the window frame to prevent air and insects from getting into the room.

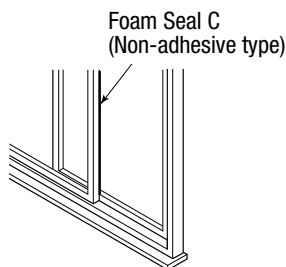


FIG. 19

► STEP 4 Fig. 20

If desired, install the security bracket with 2 screws as shown.

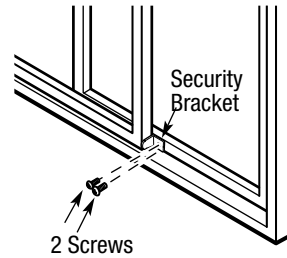


FIG. 20

► STEP 5 Fig. 21

Insert the window slider adapter into the hole of the window slider.

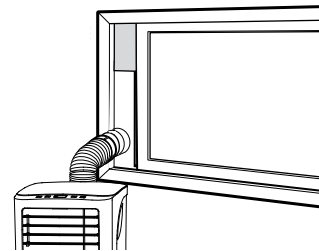


FIG. 21

NOTE: All the illustrations in this manual are for explanation purposes only. Your unit may be slightly different.

► WATER DRAINAGE

During dehumidifying mode, remove the drain plug from the back of the unit, install the drain connector (5/8" universal female mender) with 3/4" hose (locally purchased). For models without a drain connector, just attach the drain hose to the hole. Place the open end of the hose directly over the drain area in your basement floor. Be sure to store the unit and installation accessories in a cool, dark place. Exposure to direct sunshine or extreme heat can shorten the lifespan of the unit.

When the water level of the bottom tray reaches a predetermined level, the unit beeps 8 times, and the digital display shows "P1". At this time the air conditioning/dehumidification process will immediately stop. However, the fan motor will continue to operate (this is normal). Carefully move the unit to a drain location, remove the bottom drain plug and drain the water. Reinstall the bottom drain plug and restart the machine until the "P1" symbol disappears. If the error repeats, call for service.

NOTE: Be sure to reinstall the bottom drain plug before using the unit.

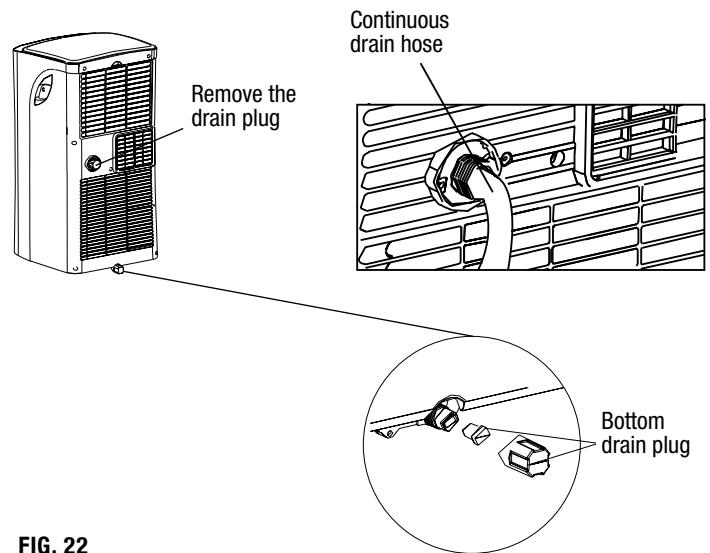


FIG. 22

CARE AND MAINTENANCE

⚠ CAUTION

Clean air conditioner occasionally to keep it looking and operating like new.
Be sure to unplug the unit before cleaning to prevent shock or fire hazards.

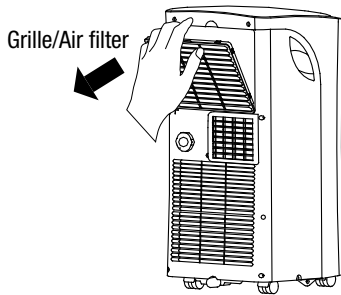


FIG. 23

► IMPORTANT SAFETY PRECAUTIONS

1. ALWAYS unplug the unit before cleaning or servicing.
2. DO NOT use flammable liquids or chemicals to clean the unit.
3. DO NOT wash the unit under running water. Doing so causes electrical danger.
4. DO NOT operate the machine if the power supply cord has been damaged during cleaning. A damaged power cord must be replaced with a new cord from the manufacturer.

► AIR FILTER MAINTENANCE

- Be sure to clean the air filter every 2 weeks for optimal performance.
- To clean the filter, remove it as shown in Fig. 23. Then, carefully vacuum the filter or wash it by immersing it gently in warm water (about 104°F) with a mild detergent. Rinse the filter and dry it in a cool, dry place. Once filter has dried completely, return it to the proper location on the unit.
- The water collection tray should be drained immediately after a P1 error occurs and before storage to prevent mold.
- In households with animals, you will have to periodically wipe down the grille and clean the air filter to prevent blocked airflow due to animal hair.

► CLEANING THE UNIT

Use a lint-free cloth soaked with mild detergent to clean the unit enclosure. Finish by using a dry, clean cloth.

► STORING THE UNIT WHEN NOT IN USE

1. Drain the water collection tray according to the instructions in the "Water Drainage" section, page 9.
2. Run the appliance on FAN mode for 12 hours in a warm room to dry it and prevent mold.
3. Turn off the appliance and unplug it.
4. Clean the air filter according to the instructions in the "Air Filter Maintenance" section. Reinstall the clean, dry filter before storing.
5. Remove the batteries from the remote control.

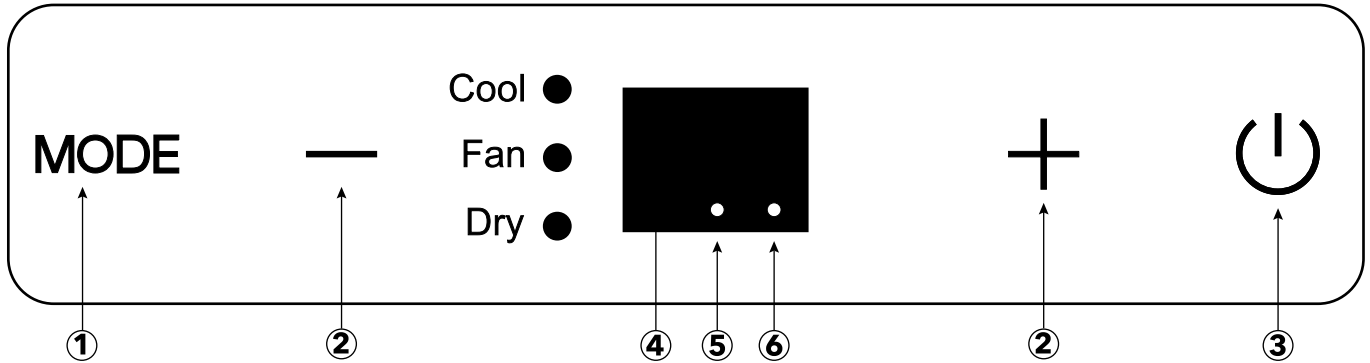
Be sure to store the unit and installation accessories in a cool, dark place. Exposure to direct sunshine or extreme heat can shorten the lifespan of the unit.

AIR CONDITIONER FEATURES

Thoroughly familiarize yourself with the control panel shown below and all of its functions. Afterwards, follow the symbol for the functions you desire. This unit can be controlled by the unit control or the remote control.

NOTE: This manual does not include Remote Control Operations; see the Remote Control Instructions packed with the unit for details.

FIG. 24



1. MODE button

Selects the appropriate operating mode. Each time you press the button, a mode is selected in a sequence that goes from COOL, FAN and DRY . The mode indicator light illuminates the different mode setting.

NOTE: On above modes, the unit operates the auto fan speed by default. You can set fan speed only by using the remote control on COOL and FAN modes. DRY mode will only run LOW fan speed.

2. UP (+) and DOWN (-) buttons

Used to adjust (increase/decrease) temperature settings (1°F/1°C increments) in a range of 62°F (17°C) to 86°F (30°C).

NOTE: The control is capable of displaying the temperature in degrees Fahrenheit or degrees Celsius. To convert from one to the other, press and hold the Up and Down buttons at the same time for 3 seconds.

3. POWER button

Power switch ON/OFF.

4. LED display

Shows the set temperature while on COOL mode. While on DRY and FAN modes, it shows the room temperature.

DISPLAY ERROR CODES:

E1-Room temperature sensor error
E2-Evaporator temperature sensor error.
E4-Display panel communication error.

DISPLAY PROTECTION CODE:

P1-Bottom tray is full-Connect the drain hose and drain the collected water away. If code repeats, call Consumer Services at 844-472-2473.

NOTE: When one of the above malfunctions occurs, turn off the unit and check for any obstructions. Restart the unit; if the malfunction is still present, turn off the unit and unplug the power cord. Call Consumer Services at 844-472-2473 for further assistance.

5. Power indicator light

ON when unit is off.

6. Timer mode indicator light

Set only by remote control.

OPERATING INSTRUCTIONS

NOTE: Fan speeds, SLEEP mode, and FOLLOW ME feature can only be adjusted with the remote control.

NOTE: When selecting a mode on the unit's display, fan speed cannot be selected. The fan speed goes to "auto" by default.

► COOL mode

- Press the "MODE" button until the "COOL" indicator light comes on.
- Press the "+" or "-" button to select your desired room temperature. The temperature can be set within a range of 62°F~86°F/17°C~30°C.
- Press the "FAN SPEED" button on the remote control to choose the fan speed.

► FAN mode

- Press the "MODE" button until the "FAN" indicator light illuminates.
- Press the "FAN SPEED" button on the remote control to choose the fan speed. The temperature cannot be adjusted.
- Remove exhaust hose and slider.

► DRY mode

- Press the "MODE" button until the "DRY" indicator light comes on.
- Under this mode, you cannot select a fan speed or adjust the temperature. The fan motor operates at LOW speed only.
- Keep windows and doors closed for the best dehumidifying effect.
- Remove exhaust hose and slider when in this mode.

► SLEEP/ECO mode

NOTE: This feature can be activated from the remote control ONLY.

To activate SLEEP feature, the set temperature will increase by 2°F(1°C) in 30 minutes. The set temperature will then increase by another 2°F(1°C) after an additional 30 minutes. This new temperature will be maintained for 7 hours before it returns to the originally selected temperature. This ends the SLEEP mode and the unit will continue to operate as originally programmed.

NOTE: This feature is unavailable under FAN or DRY mode.

► FOLLOW ME feature

NOTE: This feature can be activated from the remote control ONLY.

The remote control serves as a remote thermostat allowing for the precise temperature control at its location. To activate the FOLLOW ME feature, point the remote control toward the unit and press the FOLLOW ME button. The remote displays the actual temperature at its location. The remote control will send this signal to the air conditioner in 3 minute intervals until the FOLLOW ME button is pressed again. If the unit does not receive the FOLLOW ME signal during any 7 minute span, the unit will beep to indicate the FOLLOW ME mode has ended.

► Auto-Restart

If the unit breaks off unexpectedly due to the power being cut, it will automatically restart with the previous function setting when the power resumes.

***WAIT 3 MINUTES BEFORE RESUMING OPERATION. Operation will automatically start after 3 minutes (once the unit is powered on). This is to protect the unit.**

► Air Flow Direction Adjustment

- Adjust the air flow direction manually by using the tab to move the louvers up or down.
- Do not place any heavy objects or other loads on the louver; doing so will cause damage to the unit.
- Keep the louver fully opened during all operations.

► AUTO-RESTART

If the unit breaks off unexpectedly due to the power being cut, it will restart with the previous function setting automatically when the power is restored.

WAIT 3 MINUTES BEFORE RESUMING OPERATION.

After the unit has stopped, operation cannot be restarted in the first 3 minutes. This is to protect the unit. Operation will automatically start after 3 minutes.

► AIR FLOW DIRECTION ADJUSTMENT

The louvers can be adjusted manually. (Fig. 25.) Use the tab to gently adjust louvers up and down so air flow is pointed in the desired direction. Operating the unit with the louvers closed (or only slightly open) will not allow the unit to cool properly.

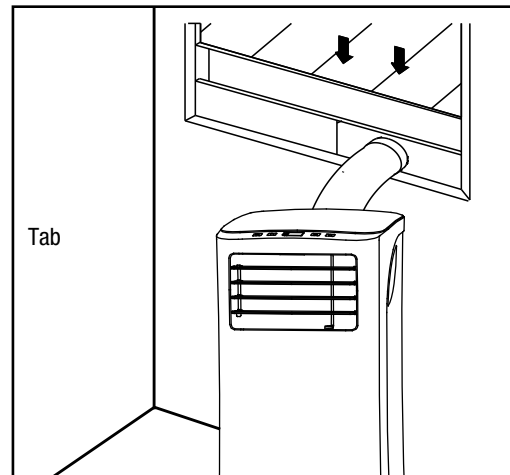


FIG. 25

► ERROR AND PROTECTION CODES

- E1 - Room Temperature Sensor Error-**
Unplug the unit and plug it back in. If error repeats, call Consumer Services.
- E2 - Evaporator Temperature Sensor Error-**
Unplug the unit and plug it back in. If error repeats, call Consumer Services.
- E3 - Condenser Temperature Sensor Error-**
Unplug the unit and plug it back in. If error repeats, call Consumer Services.
- E4 - Display Panel Communication Error-**
Unplug the unit and plug it back in. If error repeats, call Consumer Services.
- EC - Refrigerant Leakage Detection Malfunction-**
Unplug the unit and plug it back in. If error repeats, call Consumer Services.
- E7 - Zero-Crossing Malfunction-**
Unplug the unit and plug it back in. If error repeats, call Consumer Services.
- P1 - Bottom Tray is Full-**
Remove bottom drain plug and empty the collected water into a floor drain, outdoors, or into a shallow pan. Carefully tilt unit back slightly to assist the water in draining. If error does not clear after emptying, call Consumer Services.

**PERFECT AIRE CONSUMER SERVICES
TOLL FREE NUMBER: 1-844-472-2473**

TROUBLESHOOTING

BEFORE CALLING FOR SERVICE, PLEASE REVIEW THE CHART BELOW

ISSUE	POSSIBLE CAUSES
<p>AIR CONDITIONER NOT COOLING ROOM, OR NOT BLOWING COLD AIR</p>	<ul style="list-style-type: none"> • Be sure unit is not too large or too small for the area of the room. • Verify that all doors, windows, curtains and any other openings are closed. Verify nothing is obstructing the front grille of unit, such as curtains, etc. • Allow enough time for room to cool, especially if outside temp is very high. • Check that the filter is not dirty and louvers are open all the way and blowing in the desired direction. • Check that unit is set to COOL mode and that temperature is down enough (but not too low). • If unit is near a heat source, such as a stove, etc., relocate unit. • If air coming from unit is cool to the touch, then unit is working properly; please double check the first three bullet points above. • Try using the Follow Me feature for more even cooling. • If using Follow Me remote feature, move remote away from unit. (Ensure, however, that the remote control is within 20 ft and a 180° radius of the front of the unit.) • Unplug unit for at least 5 minutes. Follow Reset instructions on plug.
<p>AIR CONDITIONER COOLING BUT ROOM IS TOO WARM - ICE FORMING ON COOLING COIL BEHIND DECORATIVE FRONT</p>	<ul style="list-style-type: none"> • Outdoor temperature is below 64°F (18°C). To defrost the coil, set to FAN only mode. • Air filter may be dirty. Clean filter. Refer to Care and Cleaning section. To defrost, set to FAN only mode. • Thermostat is set too cold for night-time cooling. To defrost the coil, set to FAN only mode. Then, set temperature to a higher setting.
<p>AIR CONDITIONER CYCLING ON AND OFF TOO FREQUENTLY OR NOT ENOUGH</p>	<ul style="list-style-type: none"> • Be sure unit is not too large or too small for the area of the room. • Make sure nothing is blocking the louvers. • Make sure there is no dirt or debris inside the unit or on the filter. • Try using the Follow Me feature for more even cooling.
<p>UNIT WILL NOT TURN ON</p>	<ul style="list-style-type: none"> • Reset circuit breaker. Make sure there are not too many items (i.e. lamps, TV's, etc.) working off the same breaker. • Check plug connection. • If plug is operating on an on/off switch, be sure that the switch is 'on'. • Try plugging unit into another outlet. • Unplug unit for at least 5 minutes. Follow Reset instructions on plug.
<p>UNIT BLOWS FUSES OR POPS CIRCUIT BREAKER</p>	<ul style="list-style-type: none"> • Make sure there are enough available amps on the circuit for the air conditioner. • Large units which run on a 230v will require a dedicated 20 or 30 amp circuit.
<p>AIR CONDITIONER IS MAKING NOISES</p>	<ul style="list-style-type: none"> • Check to be sure the unit is free from debris. Verify nothing is obstructing the unit. • Check the fan blade for cracks or chips. • Make sure the window slider kit is properly and securely mounted inside the window. • Clean the air filter. • Make sure unit is on a flat, level surface.
<p>REMOTE SENSING / FOLLOW ME DEACTIVATING PREMATURELY</p>	<ul style="list-style-type: none"> • Remote control not located within range. Place remote control within 20 ft and 180° radius of the front of the unit. • Remote control signal obstructed. Remove obstruction. • Replace batteries in remote control with a fresh set of batteries.

NOTE

A highly recommended troubleshoot for any issue in general consists of turning off unit and unplugging for 5 minutes. It is also recommended to try another wall outlet. For further assistance, contact Consumer Services at 844-472-2473.

Distributed by:



Perfect Aire, LLC
5151 Belt Line Rd.
Suite 878
Dallas, TX 75254

844-4PA-AIRE | 844-472-2473
www.perfectaire.us

PA/User_PORT-A/11032017

Specification and performance data is subject to change without notice.

Printed in China