

PTC123G Package Terminal Air Conditioner

PTC123G00AXXXDA
PTC123G00CXXXDA
PTC123G00DHRXXDA
PTC123G00DHXXDA
PTC123G00H1XXDA
PTC123G00HRXXDA
PTC123G00HVXXDA
PTC123G00HXXXDA
PTC123G00RXXXDA
PTC123G25AXXXDA
PTC123G25CXXXDA
PTC123G25DRXXDA
PTC123G25DXXXDA
PTC123G25QRXXDA
PTC123G25QXXXDA
PTC123G25RXXXDA
PTC123G25VXXXDA
PTC123G35AXXXDA
PTC123G35CXXXDA
PTC123G35DXXXDA
PTC123G35QRXXDA
PTC123G35QXXXDA
PTC123G35RXXXDA
PTC123G35VXXXDA
PTC123G50AXXXDA
PTC123G50CXXXDA
PTC123G50DRXXDA
PTC123G50DXXXDA
PTC123G50QXXXDA
PTC123G50RXXXDA



Amana[®] is a registered trademark of Maytag Corporation or its related companies and is used under license. All rights reserved.

This manual is to be used by qualified technicians only.

This manual replaces RP-A5048.

Important Information

Index

Functional Parts List	3
Illustration and Parts	4 - 13

Views shown are for parts illustrations only, not servicing procedures.

Text Codes:

AR - As Required

NA - Not Available

NS - Not Shown

00000000 - See Note

QTY - Quantity Example (QTY 3) (If Quantity not shown, Quantity = 1)

M - Model Example (M1) (If M Code not shown, then part is used on all Models)

Expanded Model Nomenclature:

Example M1 - Model#1 M2 - Model#2 M3 - Model#3

Goodman Company, L.P. is not responsible for personal injury or property damage resulting from improper service. Review all service information before beginning repairs.

Warranty service must be performed by an authorized technician, using authorized factory parts. If service is required after the warranty expires, Goodman Company, L.P. also recommends contacting an authorized technician and using authorized factory parts.

Goodman Company, L.P. reserves the right to discontinue, or change at any time, specifications or designs without notice or without incurring obligations.

For assistance within the U.S.A. contact:

Homeowner Support
Goodman Company, L.P.
19001 Kermier Road
Waller, Texas 77484
877-254-4729-Telephone
713-863-2382-Facsimile

For assistance outside the U.S.A. contact:

International Division
Goodman Company, L.P.
19001 Kermier Road
Waller, Texas 77484
713-861-2500-Telephone
713-863-2382-Facsimile

Functional Parts

Part

No: Description:

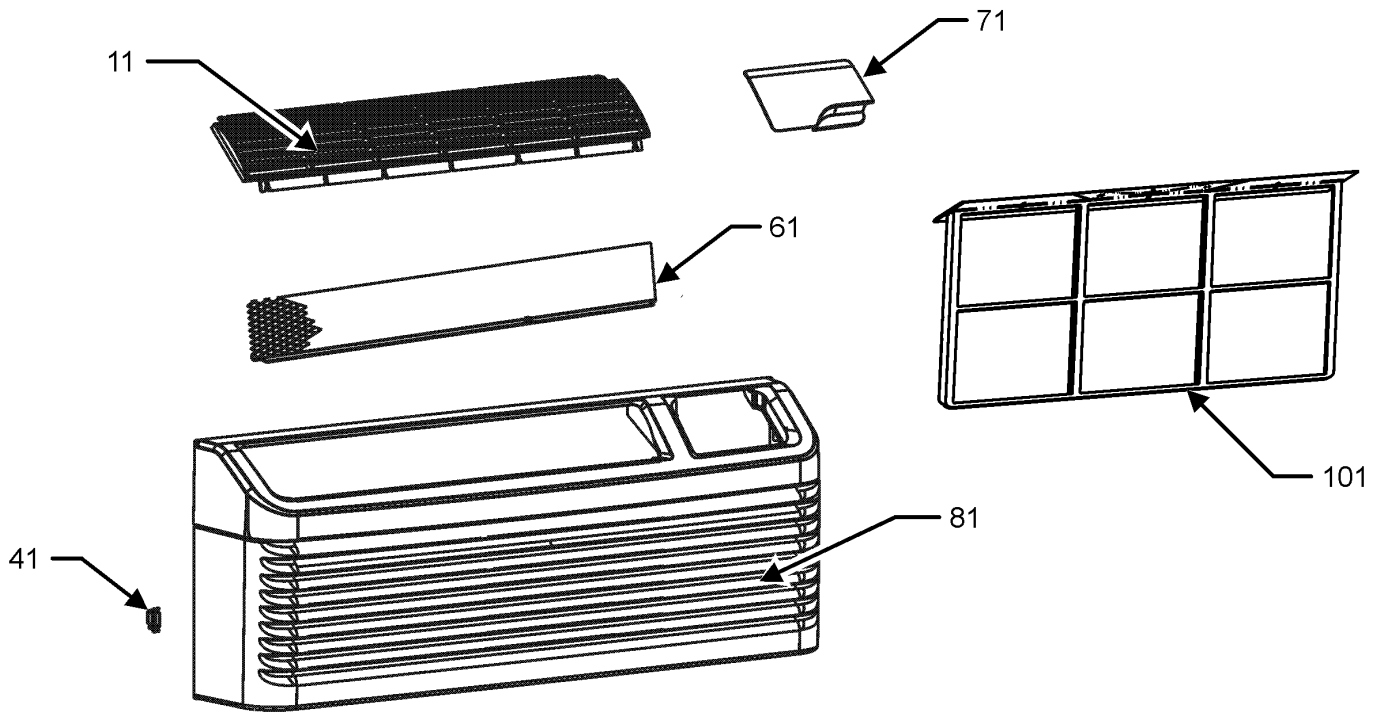
CAP020300450CS	CAPACITOR 2/30/450V/DUAL RD
CAP020000440RP	CAPACITOR 2/440V
44A262BM&JEKD	COMPRESSOR, RECHI
RSKP0012	CONTROL BOARD M70
0130P00112	CORD,250VAC,15A (LCD) (M1, M2, M3, M4, M5, M6, M7, M8, M9, M10, M11, M12, M13, M14, M15, M16, M17)
0130P00115	CORD,250VAC,20A (LCD) (M18, M19, M20, M21, M22, M23, M24)
0130P00118	CORD,250VAC,30A (LCD) (M25, M26, M27, M28, M29, M30)
0131P00036	FAN MOTOR, INDOOR (M3, M4, M5, M6, M7, M8, M25, M26, M27, M28, M29, M30)
0131P00035	FAN MOTOR, INDOOR (M1, M2, M9, M10, M11, M12, M13, M14, M15, M16, M17, M18, M19, M20, M21, M22, M23, M24)
0131P00033	FAN MOTOR, OUTDOOR
0161P00055	FAN, CONDENSER
0275P00039	HEATER ASSY (M25, M26, M27, M28, M29, M30)
0275P00038	HEATER ASSY (M18, M19, M20, M21, M22, M23, M24)
0275P00019	HEATER ASSY (M10, M11, M12, M13, M14, M15, M16, M17)
RSKP0015	MEMBRANE KIT
60343526	OVERLOAD PROTECTOR-RECHI
PCBCP140	PCB, CONTROL, D70 (M3, M4, M6, M12, M13, M17, M20, M24, M27, M28)
0130P00137	POWER VENT MOTOR (M3, M4, M6, M12, M13, M17, M20, M24, M27, M28)
0130M00181	SPDT RELAY (M3, M4, M5, M6, M7, M8)
0130M00169	SWITCH, HIGH PRESS
802007090	TERM BOARD
0130P00073	THERMISTOR
0130P00094	THERMISTOR (M3, M5, M9, M12, M14, M16, M21, M23, M27, M30)
0130P00134	THERMISTOR - DISCHARGE
0130P00077	THERMISTOR - INDOOR (M3, M5, M9, M12, M14, M16, M21, M23, M27, M30)
0130P00084	THERMISTOR - INDOOR COIL
0130P00098	THERMISTOR - OUTDOOR AMBIENT (M3, M5, M9, M12, M14, M16, M21, M23, M27, M30)
0130M00329	TRANSFORMER 20VA 60HZ (M1, M2, M9, M10, M11, M12, M13, M14, M15, M16, M17, M18, M19, M20, M21, M22, M23, M24, M25, M26, M27, M28, M29, M30)
0130M00149	TRANSFORMER 240V/208V TO 24V, 40VA (M3, M4, M5, M6, M7, M8, M12, M13, M17, M20, M24, M27, M28)

Expanded Model Nomenclature

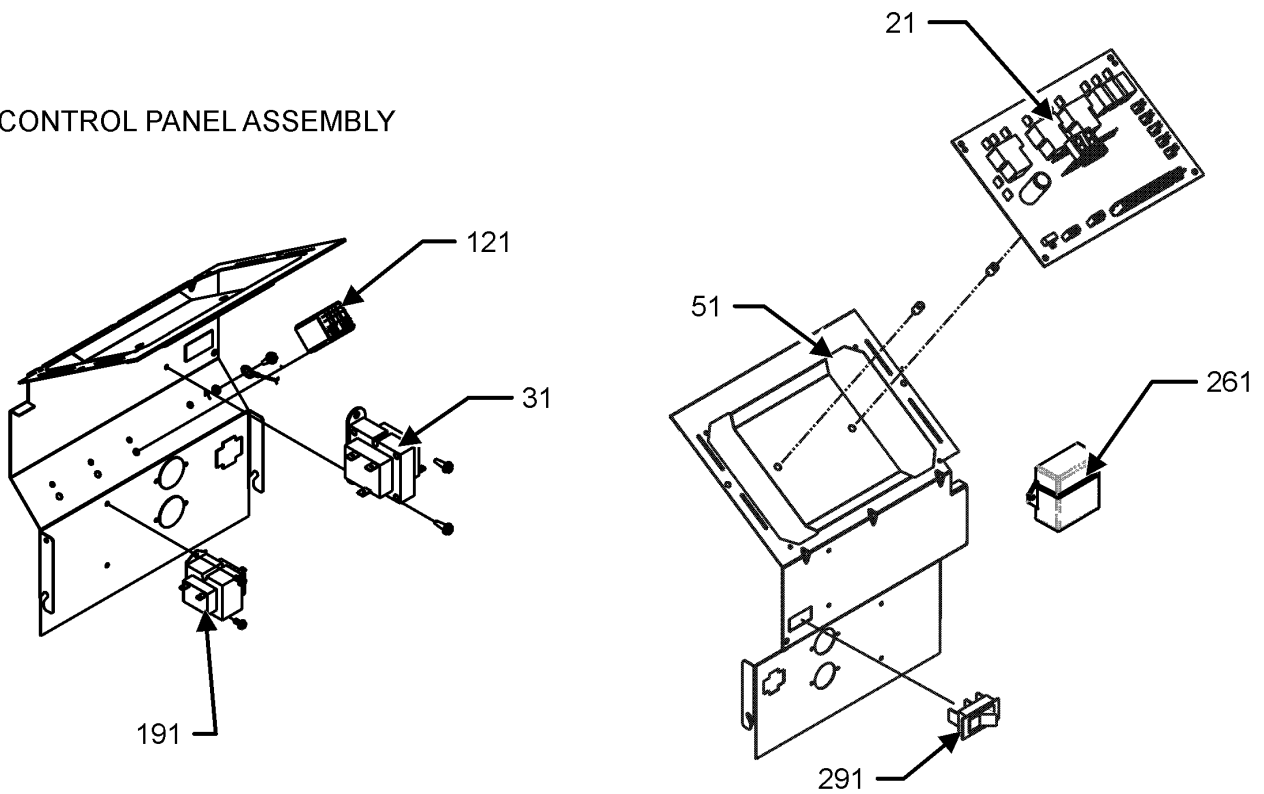
M1 - PTC123G00AXXXDA
M2 - PTC123G00CXXXDA
M3 - PTC123G00DHRXXDA
M4 - PTC123G00DHXXDA
M5 - PTC123G00HRXXDA
M6 - PTC123G00HVXXDA
M7 - PTC123G00HXXDA
M8 - PTC123G00H1XXDA
M9 - PTC123G00RXXXDA
M10 - PTC123G25AXXXDA
M11 - PTC123G25CXXXDA
M12 - PTC123G25DRXXDA
M13 - PTC123G25DXXXDA
M14 - PTC123G25QRXXDA
M15 - PTC123G25QXXXDA
M16 - PTC123G25RXXXDA
M17 - PTC123G25VXXXDA
M18 - PTC123G35AXXXDA
M19 - PTC123G35CXXXDA
M20 - PTC123G35DXXXDA
M21 - PTC123G35QRXXDA
M22 - PTC123G35QXXXDA
M23 - PTC123G35RXXXDA
M24 - PTC123G35VXXXDA
M25 - PTC123G50AXXXDA
M26 - PTC123G50CXXXDA
M27 - PTC123G50DRXXDA
M28 - PTC123G50DXXXDA
M29 - PTC123G50QXXXDA
M30 - PTC123G50RXXXDA

Front Panel and Control Panel Assembly

FRONT PANEL ASSEMBLY



CONTROL PANEL ASSEMBLY

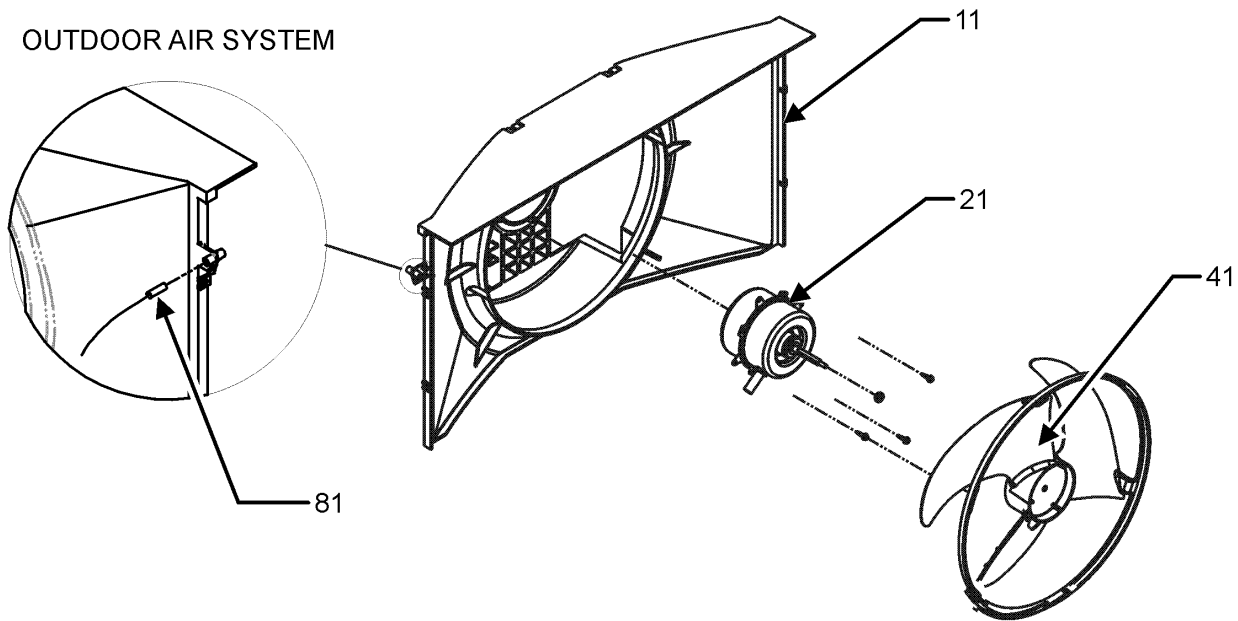


Front Panel and Control Panel Assembly

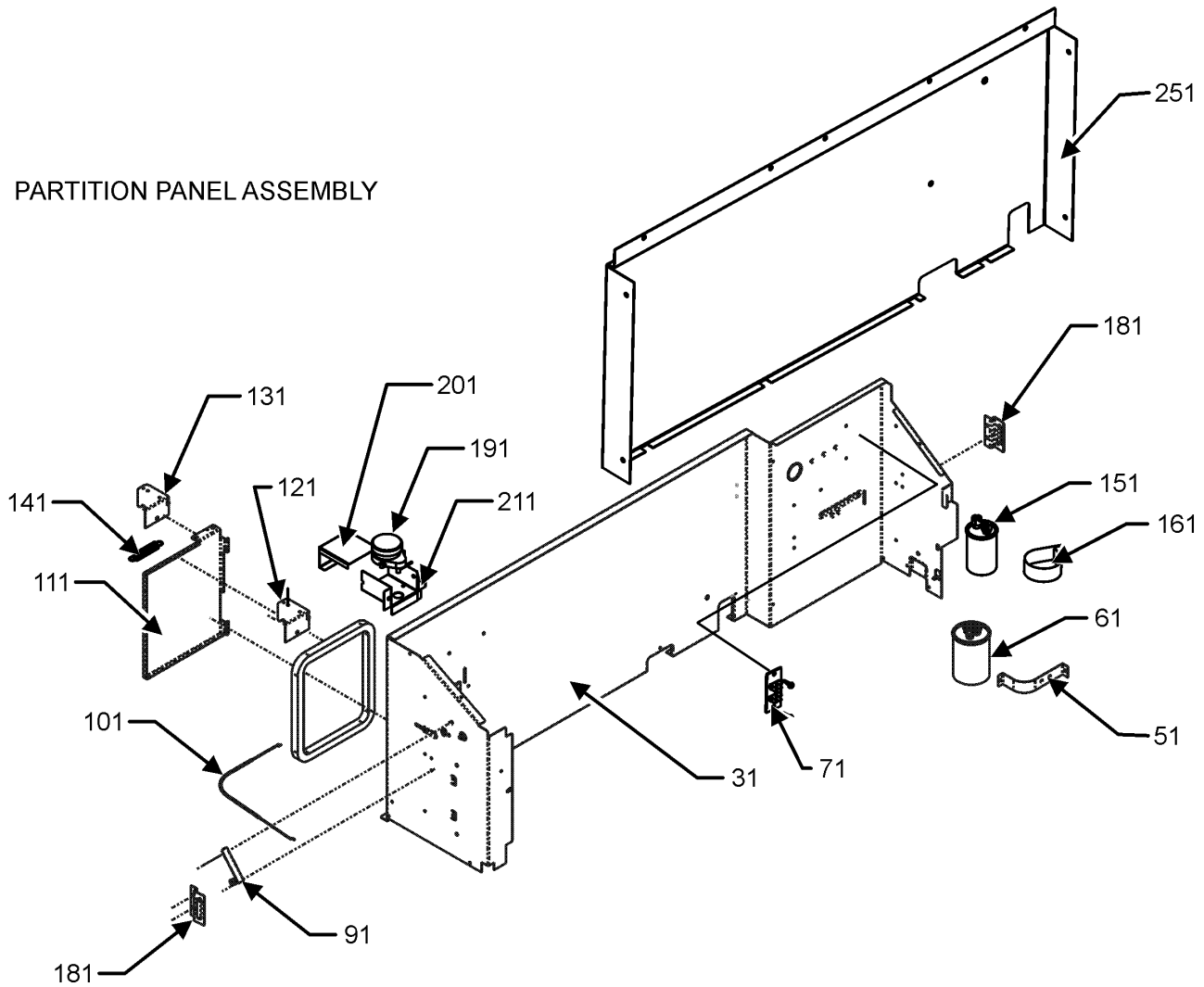
Ref. Part No: No:	Description:	Ref. Part No: No:	Description:
<i>Image 1:</i>		Expanded Model Nomenclature	
11	0161P00048 FRONT-DICHARGE LOUVERS (M1, M2, M9, M10, M11, M12, M13, M14, M15, M16, M17, M18, M19, M20, M21, M22, M23, M24, M25, M26, M27, M28, M29, M30)	M1 - PTC123G00AXXXDA	
21	RSKP0012 CONTROL BOARD M70	M2 - PTC123G00CXXXDA	
31	0130M00329 TRANSFORMER 20VA 60HZ (M1, M2, M9, M10, M11, M12, M13, M14, M15, M16, M17, M18, M19, M20, M21, M22, M23, M24, M25, M26, M27, M28, M29, M30)	M3 - PTC123G00DHRXXDA	
41	0163P00025 CLIP (M1, M2, M9, M10, M11, M12, M13, M14, M15, M16, M17, M18, M19, M20, M21, M22, M23, M24, M25, M26, M27, M28, M29, M30)	M4 - PTC123G00DHXXDA	
51	0121P00130 PANEL, CONTROL	M5 - PTC123G00HRXXDA	
61	0121P00073 SCREEN, DISCHARGE (M1, M2, M9, M10, M11, M12, M13, M14, M15, M16, M17, M18, M19, M20, M21, M22, M23, M24, M25, M26, M27, M28, M29, M30)	M6 - PTC123G00HVXXDA	
71	0261P00003 DOOR ASSY -AMANA- (M1, M2, M9, M10, M11, M12, M13, M14, M15, M16, M17, M18, M19, M20, M21, M22, M23, M24, M25, M26, M27, M28, M29, M30)	M7 - PTC123G00HXXXDA	
81	0261P00011 FRONT ASSY (M1, M2, M9, M10, M11, M12, M13, M14, M15, M16, M17, M18, M19, M20, M21, M22, M23, M24, M25, M26, M27, M28, M29, M30)	M8 - PTC123G00H1XXDA	
101	0161P00035 FILTER, RACK (M1, M2, M9, M10, M11, M12, M13, M14, M15, M16, M17, M18, M19, M20, M21, M22, M23, M24, M25, M26, M27, M28, M29, M30)	M9 - PTC123G00RXXXDA	
121	0130M00181 SPDT RELAY (M3, M4, M5, M6, M7, M8)	M10 - PTC123G25AXXXDA	
191	0130M00149 TRANSFORMER 240V/208V TO 24V, 40VA (M3, M4, M5, M6, M7, M8, M12, M13, M17, M20, M24, M27, M28)	M11 - PTC123G25CXXXDA	
261	0130P00104 ANTENNA (DIGITENNA) (M3, M5, M9, M12, M14, M16, M21, M23, M27, M30)	M12 - PTC123G25DRXXDA	
291	B1337701 PADDLE SWITCH (M3, M4, M6, M12, M13, M17, M20, M24, M27, M28)	M13 - PTC123G25DXXXDA	
NS	PCBCP140 PCB, CONTROL, D70 (M3, M4, M6, M12, M13, M17, M20, M24, M27, M28)	M14 - PTC123G25QRXXDA	
		M15 - PTC123G25QXXXDA	
		M16 - PTC123G25RXXXDA	
		M17 - PTC123G25VXXXDA	
		M18 - PTC123G35AXXXDA	
		M19 - PTC123G35CXXXDA	
		M20 - PTC123G35DXXXDA	
		M21 - PTC123G35QRXXDA	
		M22 - PTC123G35QXXXDA	
		M23 - PTC123G35RXXXDA	
		M24 - PTC123G35VXXXDA	
		M25 - PTC123G50AXXXDA	
		M26 - PTC123G50CXXXDA	
		M27 - PTC123G50DRXXDA	
		M28 - PTC123G50DXXXDA	
		M29 - PTC123G50QXXXDA	
		M30 - PTC123G50RXXXDA	

Outdoor Air System and Partition Panel

OUTDOOR AIR SYSTEM



PARTITION PANEL ASSEMBLY

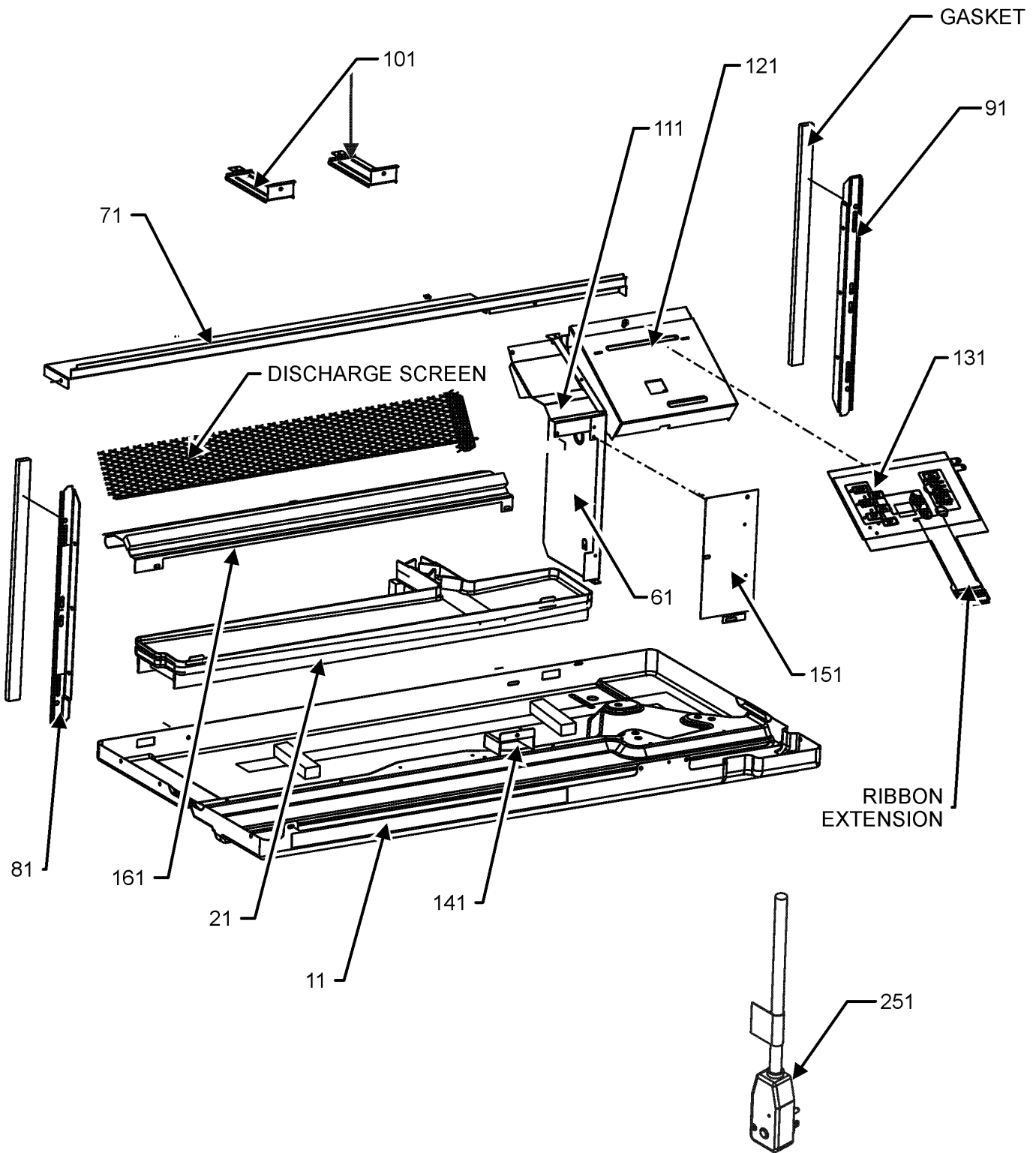


Outdoor Air System and Partition Panel

Ref. Part No: No:	Description:	Ref. Part No: No:	Description:
<i>Image 1:</i>		Expanded Model Nomenclature	
11	0161P00053 SHROUD, CONDENSER	M1	- PTC123G00AXXXDA
21	0131P00033 FAN MOTOR, OUTDOOR	M2	- PTC123G00CXXXDA
31	0121P00093 PANEL-PARTITION (M14, M15, M21, M22, M29)	M3	- PTC123G00DHRXDA
31	0121P00108NG PANEL-PARTITION (M1, M2, M3, M4, M5, M6, M7, M8, M9, M10, M11, M12, M13, M16, M17, M18, M19, M20, M23, M24, M25, M26, M27, M28, M30)	M4	- PTC123G00DHXXDA
41	0161P00055 FAN, CONDENSER	M5	- PTC123G00HRXXDA
51	C6300502 CAPACITOR STRAP	M6	- PTC123G00HVXXDA
61	CAP020300450CS CAPACITOR 2/30/450V/DUAL RD	M7	- PTC123G00HXXXDA
71	802007090 TERM BOARD	M8	- PTC123G00H1XXDA
81	0130P00098 THERMISTOR - OUTDOOR AMBIENT (M3, M5, M9, M12, M14, M16, M21, M23, M27, M30)	M9	- PTC123G00RXXXDA
91	11046302 LEVER ARM (M1, M2, M5, M7, M8, M9, M10, M11, M16, M18, M19, M23, M25, M26, M30)	M10	- PTC123G25AXXXDA
101	0163P00019 CABLE (M1, M2, M5, M7, M8, M9, M10, M11, M16, M18, M19, M23, M25, M26, M30)	M11	- PTC123G25CXXXDA
111	0121P00177NG DOOR - PNT VENT PTC (M1, M2, M3, M4, M5, M6, M7, M8, M9, M10, M11, M12, M13, M16, M17, M18, M19, M20, M23, M24, M25, M26, M27, M28, M30)	M12	- PTC123G25DRXXDA
121	0121P00079 BRACKET, VENT DOOR (M3, M4, M6, M12, M13, M17, M20, M24, M27, M28)	M13	- PTC123G25DXXXDA
131	0121P00072NG BRACKET, VENT DOOR-C (M1, M2, M5, M7, M8, M9, M10, M11, M16, M18, M19, M23, M25, M26)	M14	- PTC123G25QRXXDA
141	11166401 EXTENSION SPRING (M3, M4, M6, M12, M13, M17, M20, M24, M27, M28)	M15	- PTC123G25QXXXDA
151	CAP020000440RP CAPACITOR 2/440V	M16	- PTC123G25RXXXDA
161	0163P00029 CAPACITOR CLAMP	M17	- PTC123G25VXXXDA
181	11191703 PARTITION PANEL BRACKET (M1, M2, M9, M10, M11, M12, M13, M14, M15, M16, M17, M18, M19, M20, M21, M22, M23, M24, M25, M26, M27, M28, M29, M30)	M18	- PTC123G35AXXXDA
191	0130P00137 POWER VENT MOTOR (M3, M4, M6, M12, M13, M17, M20, M24, M27, M28)	M19	- PTC123G35CXXXDA
201	11166201 POWER VENT COVER BRACKET (M3, M4, M6, M12, M13, M17, M20, M24, M27, M28)	M20	- PTC123G35DXXXDA
211	11166101 POWER VENT MOTOR BRACKET (M3, M4, M6, M12, M13, M17, M20, M24, M27, M28)	M21	- PTC123G35QRXXDA
251	0121P00091 PANEL-AUXILLIARY (M14, M15, M21, M22, M29)	M22	- PTC123G35QXXXDA
		M23	- PTC123G35RXXXDA
		M24	- PTC123G35VXXXDA
		M25	- PTC123G50AXXXDA
		M26	- PTC123G50CXXXDA
		M27	- PTC123G50DRXXDA
		M28	- PTC123G50DXXXDA
		M29	- PTC123G50QXXXDA
		M30	- PTC123G50RXXXDA

Base Pan Assembly

BASE PAN ASSEMBLY

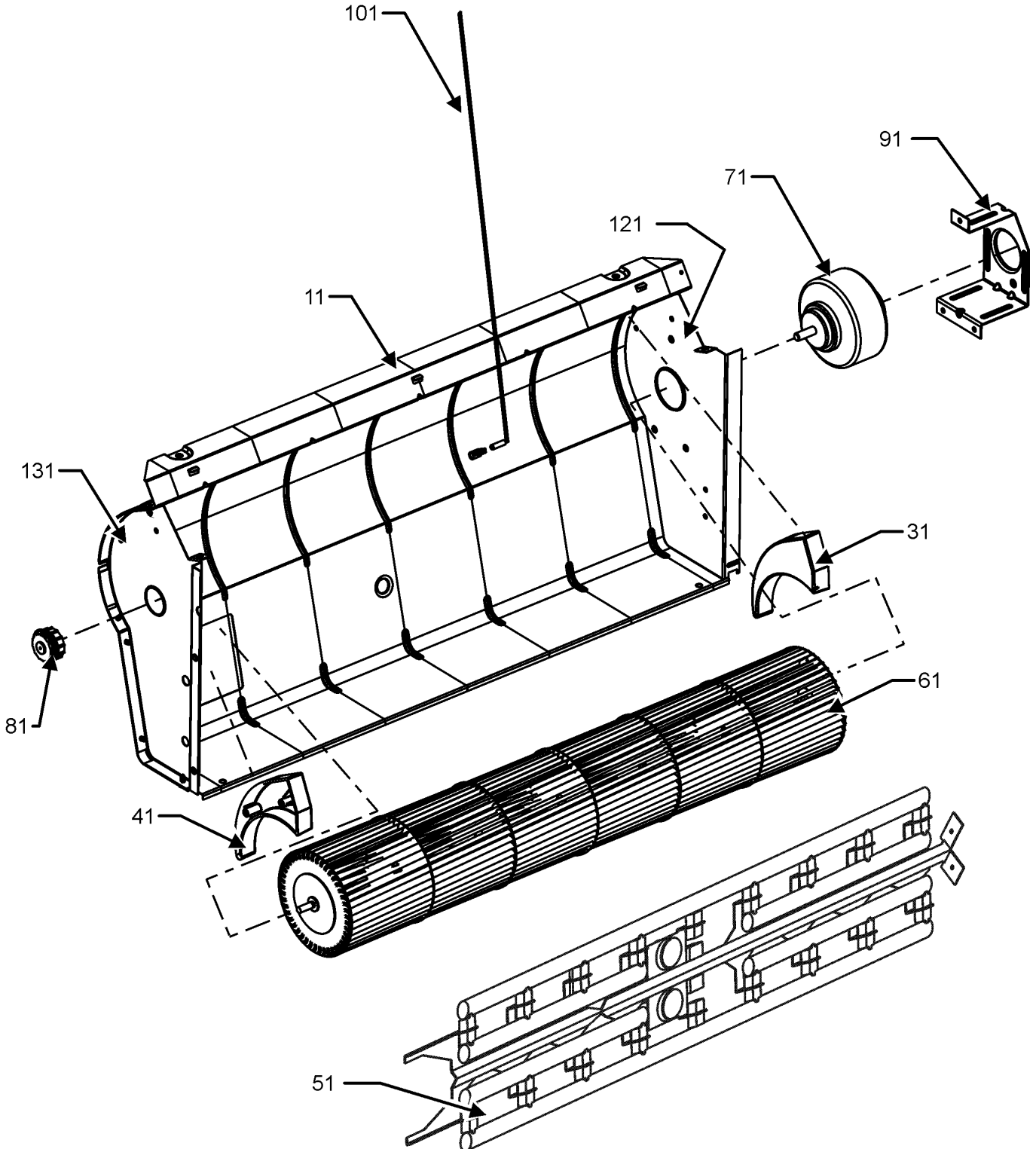


Base Pan Assembly

Ref. Part No:	Description:	Ref. Part No:	Description:
<i>Image 1:</i>		Expanded Model Nomenclature	
11	0121P00175DG BASE PAN (M1, M3, M4, M5, M6, M7, M8, M9, M10, M12, M13, M14, M15, M16, M17, M18, M20, M21, M22, M23, M24, M25, M27, M28, M29, M30)	M1 - PTC123G00AXXXDA	
11	0121P00175NG BASE PAN (M2, M11, M19, M26)	M2 - PTC123G00CXXXDA	
21	0161P00044 PLASTIC-DRAIN PAN	M3 - PTC123G00DHRXDA	
61	20403301 MID PARTITION PANEL	M4 - PTC123G00DHXXDA	
71	0121P00063NG TOP, PARTITION PANEL	M5 - PTC123G00HRXXDA	
81	0121P00197 SEAL-L SIDE PTC	M6 - PTC123G00HVXXDA	
91	0121P00198 SEAL-R SIDE PTC	M7 - PTC123G00HXXXDA	
101	0121P00071NG BRACE, TIE (QTY 2)	M8 - PTC123G00H1XXDA	
111	0121P00070DG COVER, MOTOR	M9 - PTC123G00RXXXDA	
121	0121P00129 COVER-CONTROL PANEL	M10 - PTC123G25AXXXDA	
131	RSKP0015 MEMBRANE KIT	M11 - PTC123G25CXXXDA	
141	0161P00016 PLASTIC-HOOD (M1, M2, M3, M4, M5, M6, M7, M8, M9, M10, M11, M12, M13, M16, M17, M18, M19, M20, M23, M24, M25, M26, M27, M28, M30)	M12 - PTC123G25DRXXDA	
151	20410801 ACCESS COVER	M13 - PTC123G25DXXXDA	
161	0121P00061DG CUTOFF-SCROLL DG	M14 - PTC123G25QRXXDA	
251	0130P00112 CORD,250VAC,15A (LCD) (M1, M2, M3, M4, M5, M6, M7, M8, M9, M10, M11, M12, M13, M14, M15, M16, M17)	M15 - PTC123G25QXXXDA	
251	0130P00115 CORD,250VAC,20A (LCD) (M18, M19, M20, M21, M22, M23, M24)	M16 - PTC123G25RXXXDA	
251	0130P00118 CORD,250VAC,30A (LCD) (M25, M26, M27, M28, M29, M30)	M17 - PTC123G25VXXXDA	
NS	0130P00109 MEMBRANE (CONTROL)	M18 - PTC123G35AXXXDA	
		M19 - PTC123G35CXXXDA	
		M20 - PTC123G35DXXXDA	
		M21 - PTC123G35QRXXDA	
		M22 - PTC123G35QXXXDA	
		M23 - PTC123G35RXXXDA	
		M24 - PTC123G35VXXXDA	
		M25 - PTC123G50AXXXDA	
		M26 - PTC123G50CXXXDA	
		M27 - PTC123G50DRXXDA	
		M28 - PTC123G50DXXXDA	
		M29 - PTC123G50QXXXDA	
		M30 - PTC123G50RXXXDA	

Indoor Blower Assembly

INDOOR BLOWER ASSEMBLY



Indoor Blower Assembly

Ref. Part No:	Part No:	Description:	Ref. Part No:	Part No:	Description:
---------------	----------	--------------	---------------	----------	--------------

Image 1:

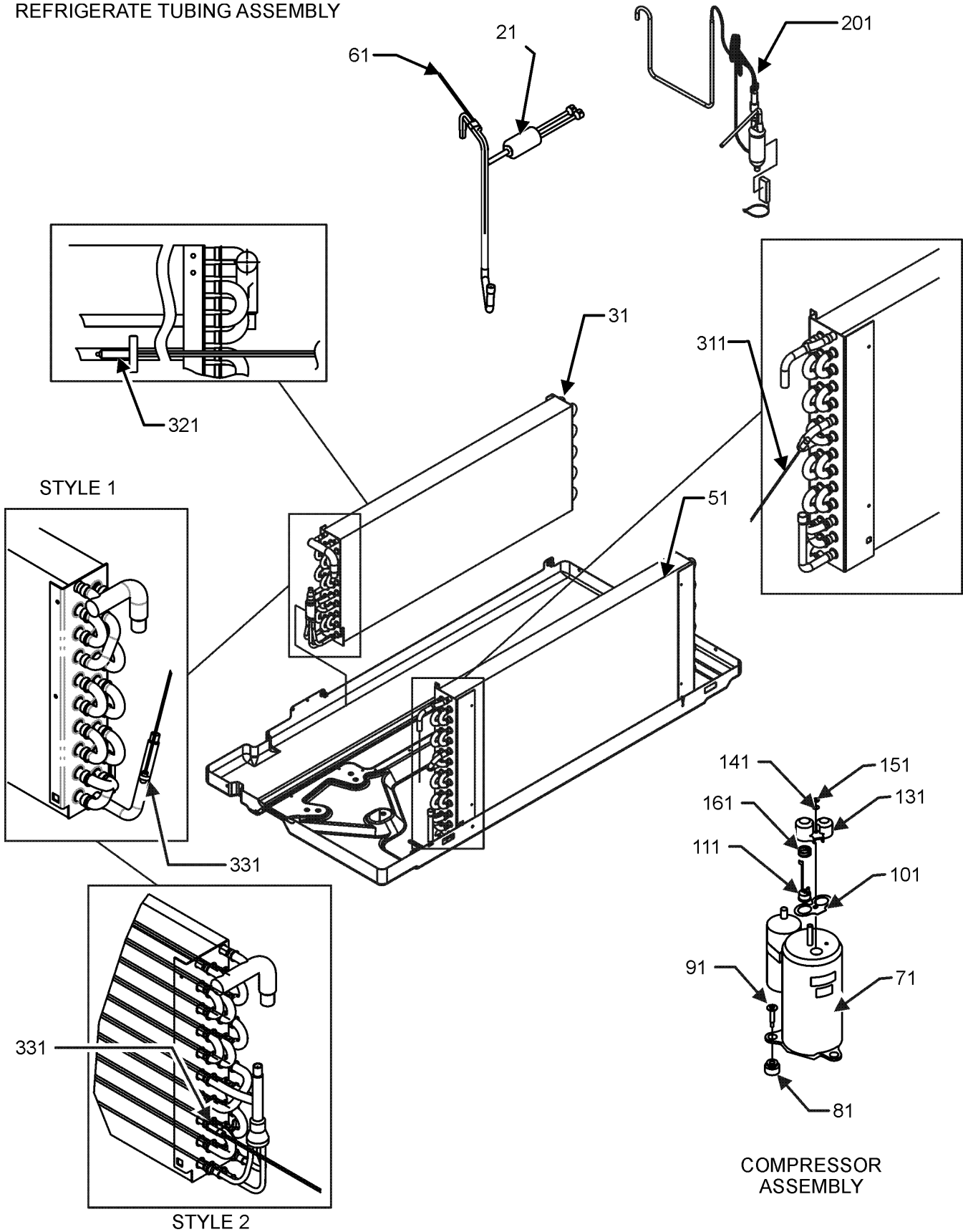
11	0121P00173DG	SCROLL			
31	0161P00021	END CAP, RIGHT			
41	0161P00022	END CAP, LEFT			
51	0275P00019	HEATER ASSY (M10, M11, M12, M13, M14, M15, M16, M17)			
51	0275P00038	HEATER ASSY (M18, M19, M20, M21, M22, M23, M24)			
51	0275P00039	HEATER ASSY (M25, M26, M27, M28, M29, M30)			
61	0150P00004	WHEEL, BLOWER			
71	0131P00035	FAN MOTOR, INDOOR (M1, M2, M9, M10, M11, M12, M13, M14, M15, M16, M17, M18, M19, M20, M21, M22, M23, M24)			
71	0131P00036	FAN MOTOR, INDOOR (M3, M4, M5, M6, M7, M8, M25, M26, M27, M28, M29, M30)			
81	0163P00027	BEARING			
91	0121P00048	BRACKET-MOTOR MOUNT			
101	0130P00134	THERMISTOR - DISCHARGE			
121	0121P00059DG	ENDPLATE-RH SCROLL			
131	0121P00215DG	ENDPLATE- LH SCROLL			

Expanded Model Nomenclature

- M1 - PTC123G00AXXXDA
- M2 - PTC123G00CXXXDA
- M3 - PTC123G00DHRXXDA
- M4 - PTC123G00DHXXDA
- M5 - PTC123G00HRXXDA
- M6 - PTC123G00HVXXDA
- M7 - PTC123G00HXXXDA
- M8 - PTC123G00H1XXDA
- M9 - PTC123G00RXXXDA
- M10 - PTC123G25AXXXDA
- M11 - PTC123G25CXXXDA
- M12 - PTC123G25DRXXDA
- M13 - PTC123G25DXXXDA
- M14 - PTC123G25QRXXDA
- M15 - PTC123G25QXXXDA
- M16 - PTC123G25RXXXDA
- M17 - PTC123G25VXXXDA
- M18 - PTC123G35AXXXDA
- M19 - PTC123G35CXXXDA
- M20 - PTC123G35DXXXDA
- M21 - PTC123G35QRXXDA
- M22 - PTC123G35QXXXDA
- M23 - PTC123G35RXXXDA
- M24 - PTC123G35VXXXDA
- M25 - PTC123G50AXXXDA
- M26 - PTC123G50CXXXDA
- M27 - PTC123G50DRXXDA
- M28 - PTC123G50DXXXDA
- M29 - PTC123G50QXXXDA
- M30 - PTC123G50RXXXDA

Refrigerate Tube Assembly

REFRIGERATE TUBING ASSEMBLY



Refrigerate Tube Assembly

Ref. Part No:	Description:	Ref. Part No:	Description:
Image 1:		Expanded Model Nomenclature	
21	0130M00169 SWITCH, HIGH PRESS	M1	PTC123G00AXXXDA
31	0202P00067 EVAP ASSY, 3/8, 2 ROW	M2	PTC123G00CXXXDA
51	0201P00094 5MM CONDENSER COIL ASSY (M1, M3, M4, M5, M6, M7, M8, M9, M10, M12, M13, M14, M15, M16, M17, M18, M20, M21, M22, M23, M24, M25, M27, M28, M29, M30)	M3	PTC123G00DHRXDA
51	0202P00072NG CONDENSER ASSY PNT (M2, M11, M19, M26)	M4	PTC123G00DHXXDA
61	0130P00077 THERMISTOR - INDOOR (M3, M5, M9, M12, M14, M16, M21, M23, M27, M30)	M5	PTC123G00HRXXDA
71	44A262BM&JEKD COMPRESSOR, RECHI	M6	PTC123G00HVXXDA
81	60130203 GROMMET - RECHI COMPRESSOR (QTY 3)	M7	PTC123G00HXXXDA
91	0163M00079 SCREW, SHOULDER (QTY 3)	M8	PTC123G00H1XXDA
101	60100103 TERMINAL GASKET	M9	PTC123G00RXXXDA
111	60343526 OVERLOAD PROTECTOR-RECHI	M10	PTC123G25AXXXDA
131	60100314 TERMINAL COVER - RECHI COMP	M11	PTC123G25CXXXDA
141	60100201 WASHER - RECHI COMPRESSOR	M12	PTC123G25DRXXDA
151	60100401 TERMINAL NUT - RECHI COMP	M13	PTC123G25DXXXDA
161	60500101 OLP SPRING - RECHI COMPRESSOR	M14	PTC123G25QRXXDA
201	0210P00300 CAPILLARY WELDMENT	M15	PTC123G25QXXXDA
311	0130P00094 THERMISTOR (M3, M5, M9, M12, M14, M16, M21, M23, M27, M30)	M16	PTC123G25RXXXDA
321	0130P00073 THERMISTOR	M17	PTC123G25VXXXDA
331	0130P00084 THERMISTOR - INDOOR COIL	M18	PTC123G35AXXXDA
		M19	PTC123G35CXXXDA
		M20	PTC123G35DXXXDA
		M21	PTC123G35QRXXDA
		M22	PTC123G35QXXXDA
		M23	PTC123G35RXXXDA
		M24	PTC123G35VXXXDA
		M25	PTC123G50AXXXDA
		M26	PTC123G50CXXXDA
		M27	PTC123G50DRXXDA
		M28	PTC123G50DXXXDA
		M29	PTC123G50QXXXDA
		M30	PTC123G50RXXXDA