

INSTALLATION GUIDE

INLINE MIXED-FLOW FANS

TT 100/125/150/200/250/315



INSTALLATION

Tools required



Pencil



Drill



Screwdriver



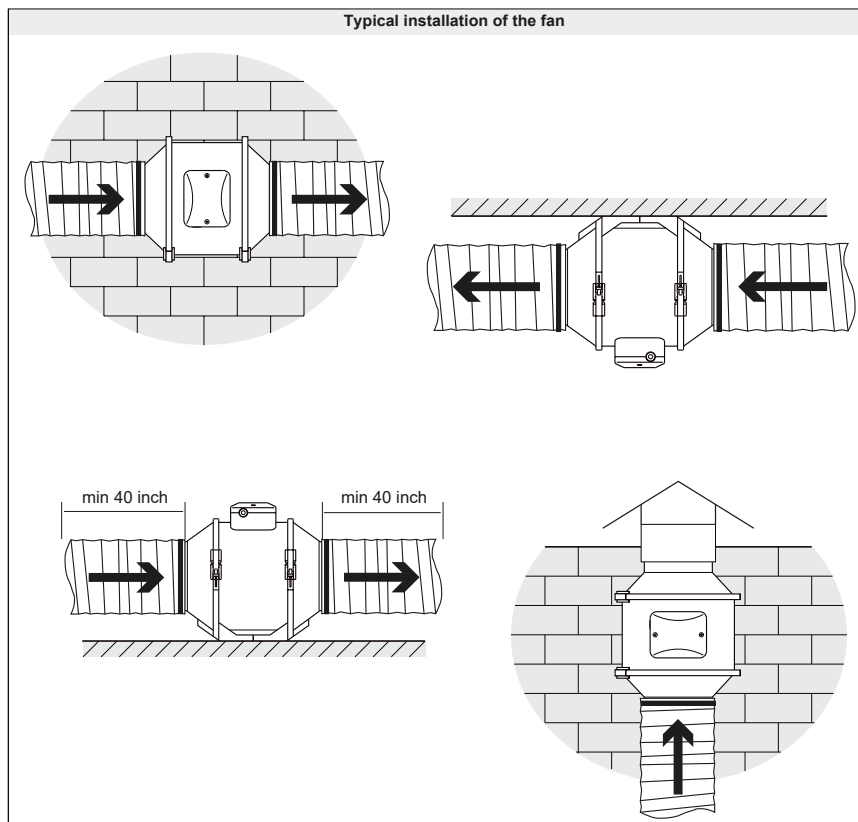
Dowel (4 pcs.)



Screws (4 pcs.)

MOUNTING

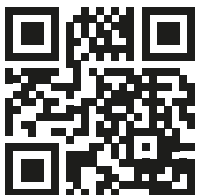
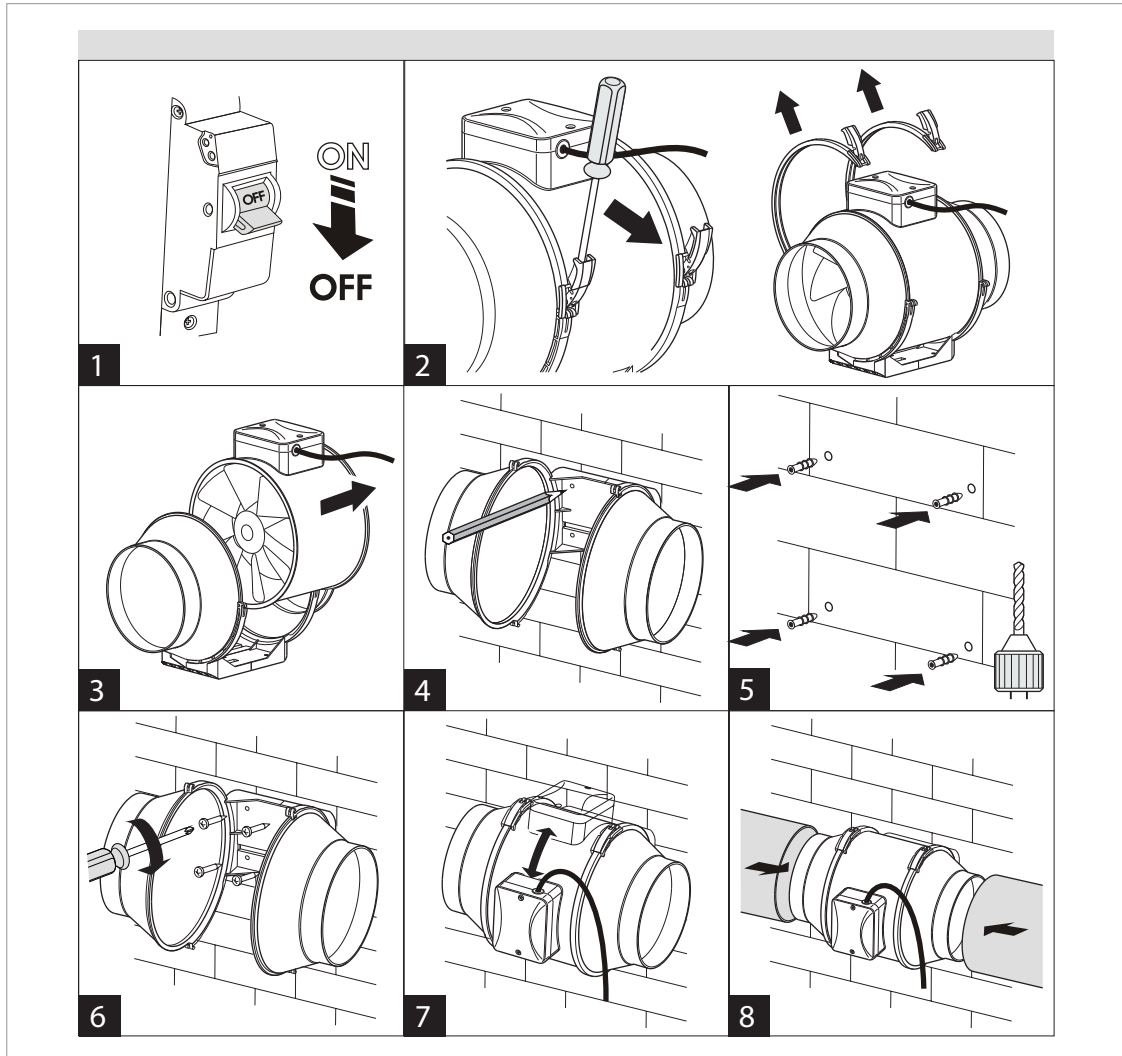
Fans may be mounted either vertically or horizontally. **An air duct at least 40 inches long should be connected to an inlet flange in case of horizontal fan mounting;** a canopy should be installed on an inlet flange in case of vertical mounting. Outlet flange should always be connected to an air duct.



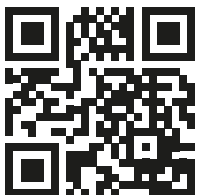
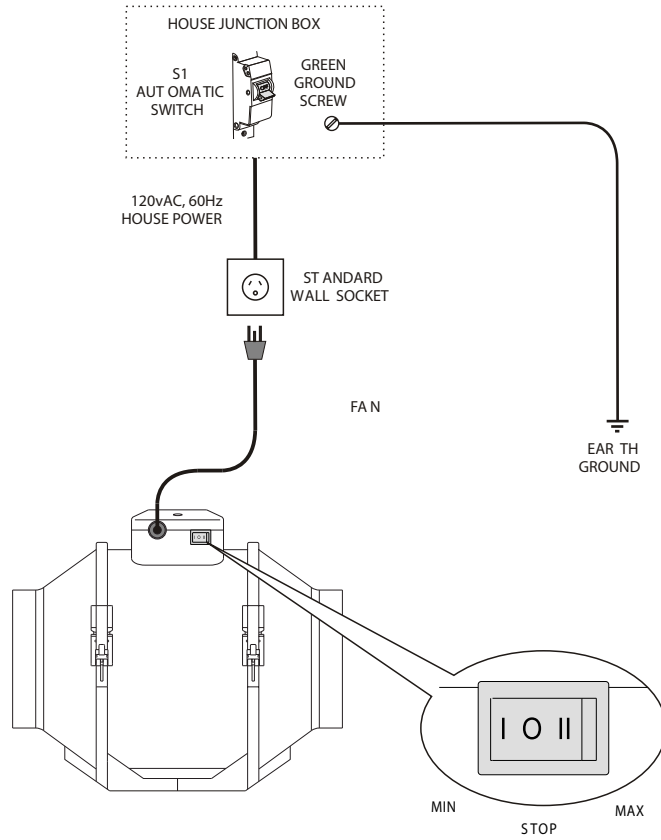
www.ventsus.com

Bodor Vents, LLC DBA: VENTS-US
 11013 Kenwood Road Cincinnati, Ohio 45242
 Phone: (513)348-3853
 e-mail: sales@ventsus.com

- 1) Disconnect the fan from power supply.
- 2) Deinstall the fixing brackets.
- 3) Remove the fan from the casing.
- 4) Mark holes on the wall.
- 5) Drill the holes and insert the expansion anchors.
- 6) Fix the fan.
- 7) Install the fan into the casing
- 8) Connect air ducts



Connection of the fan and standard wall socket



The fan must be connected using durable, insulated and heat-resistant cables and wires.

- 1) Disconnect the fan from power supply.
- 2) Remove the cover from the terminal block.
- 3) Remove the cable clamp.
- 4) Connect the cables according, install the cable clamp.
- 5) Install the terminal block cover
- 6) Connect the fan from power supply.

