



## DESCRIPTION

Turbo Tube PRO series is the new ideal engineering solution for premises where powerful airflow is required. The unique motor, powerful mixed flow impeller and special aerodynamic casing combination enables the Turbo Tube PRO fans to deliver superb airflow performance even at higher static pressures typically found in extensive ventilation systems.

The Removable Body, including motor, impeller and junction box, is the Ultimate Solution for Easy Installation & cleaning.

Turbo Tube PRO fans are compatible with 4", 5", 6" diameter ducts.  
Five year warranty.

## CASING

The fan's casing is made of high quality, UV resistant plastic (UL94 certified plastic). It is equipped with a mounting plate to attach the fan to the wall or ceiling.

## MOTOR

Motors are supplied with automatic reset thermal protection and are equipped with ball bearings for longer service life (40,000 hrs).

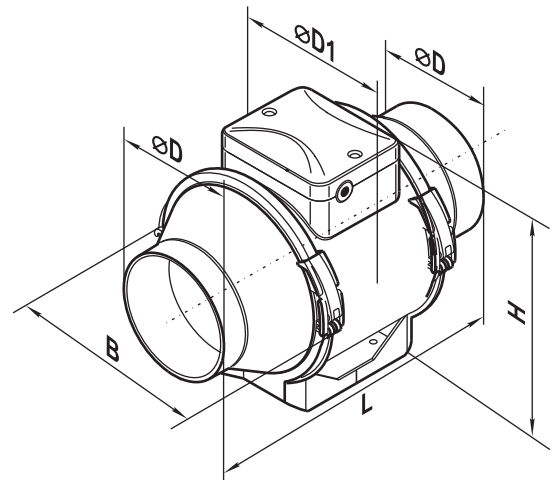
Suitable for air stream temperature up to 140 °F.

## SUITABLE FOR:

Kitchen / pools / stores / bars / restaurants / offices / public institutions / manufacturies etc

## DIMENSIONS

Model	Measurements [in.]					lbs
	ØD	ØD1	B	H	L	
TT PRO 100	3 3/4"	5 1/2"	6 9/16"	7 1/2"	9 11/16"	3.1
TT PRO 125	4 13/16"	5 1/2"	6 9/16"	7 1/2"	9 11/16"	3.1
TT PRO 150	5 3/4"	7 11/16"	8 3/4"	9 13/16"	11 5/8"	6.6



Tel: 888-640-0925  
513-348-3853  
Fax: 513-268-4597

Sales@ventsus.com  
VentsUS.com  
11013 Kenwood Road,  
Cincinnati, Ohio 45242





# TT PRO

## PRODUCT SPECIFICATIONS

## TECHNICAL DATA

## INLINE MIXED FLOW FANS

### PERFORMANCE

Model	Speed	RPM*	Duct Dia	Watts*	Amps*	CFM vs. Static Pressure (Ps) in WG											Max Ps	Volts/Hz
						0"	0.1"	0.2"	0.3"	0.4"	0.5"	0.6"	0.7"	0.8"	0.9"	1.0"		
TT PRO 100	high	2927	4"	48	0.4	210	198	184	164	135	107	79	59	44	26	2	0.78	120/60
	low	2414		38	0.32	144	131	121	106	91	70	51	33	14	2	-	0.61	120/60
TT PRO 125	high	3003	5"	62	0.53	286	269	250	229	209	154	99	63	31	-	-	0.70	120/60
	low	2570		48	0.42	221	208	192	173	146	106	73	44	9	-	-	0.48	120/60
TT PRO 150	high	2981	6"	81	0.69	378	366	355	342	328	313	298	281	259	233	127	1.22	120/60
	low	2432		75	0.64	313	296	278	258	240	219	198	164	121	82	54	0.93	120/60

\* The parameters RPM, Watts are indicated at 0.2 in. WG static pressure.

MODEL	QUANTITY	COMMENTS	PROJECT
			location:
			architect:
			engineer:
			contractor:
			submitted by:

Tel: 888-640-0925      Sales@ventsus.com  
 513-348-3853      VentsUS.com  
 Fax: 513-268-4597      11013 Kenwood Road,  
                                  Cincinnati, Ohio 45242

