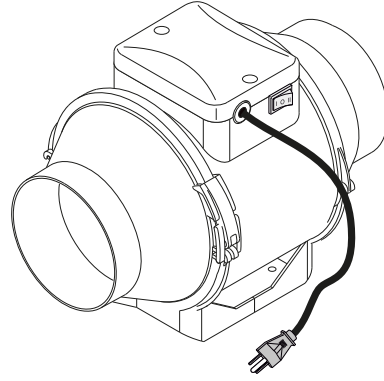


INSTALLATION GUIDE

IN-LINE MIXED TYPE FANS

TT SILENT 100/125/150

TT SILENT 100/125/150



INSTALLATION

Tools required



Pencil



Drill



Screwdriver



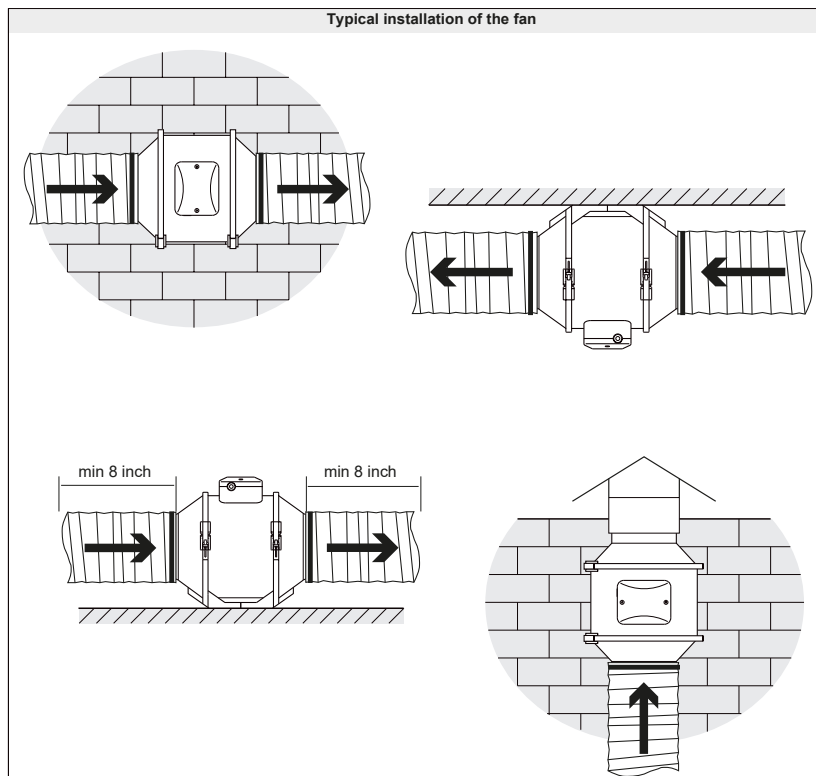
Dowel (4 pcs.)



Screws (4 pcs.)

MOUNTING

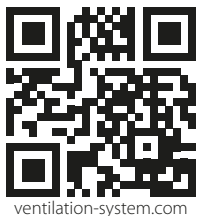
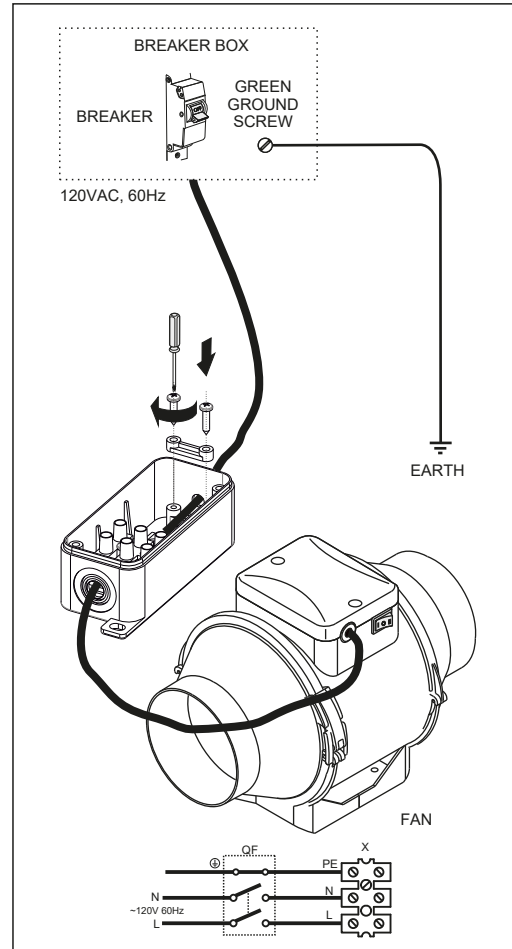
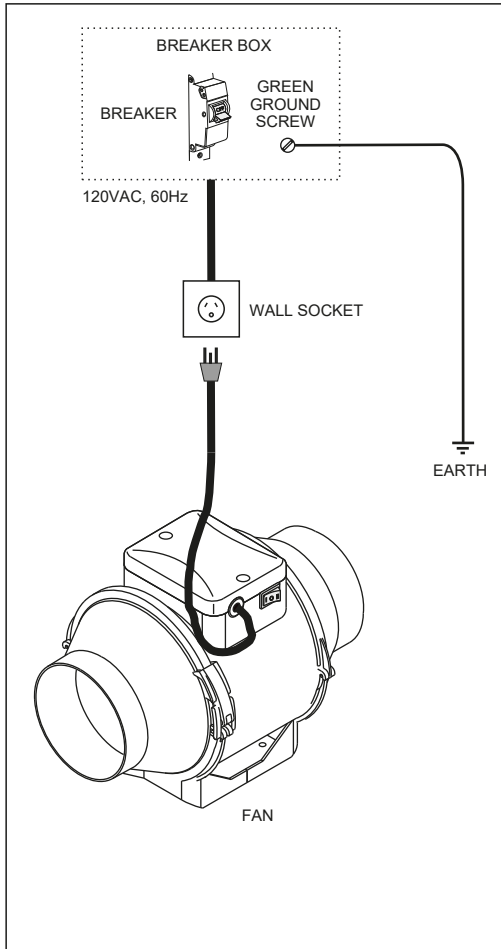
Fans may be mounted either vertically or horizontally. We recommend minimum 8' of insulated flexible duct between any exhaust grill and fan for low noise level. Outlet flange should always be connected to an air duct.



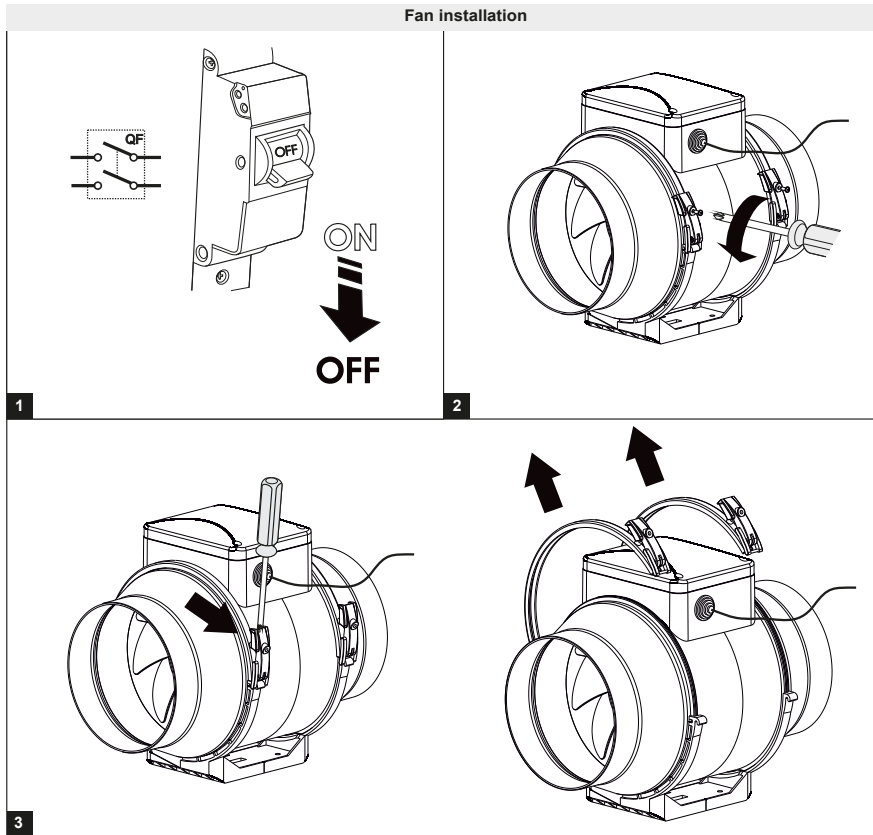
The fan must be connected using durable, insulated and heat-resistant cables and wires.

Connect the cables according to the wiring diagram.

Connection of the fan and standard wall socket



- 1) Disconnect the fan from power supply.
- 2) Unscrew the screws from the fixing brackets.
- 3) Deinstall the fixing brackets.



- 4) Remove the fan from the casing.
- 5) Mark holes on the wall.
- 6) Drill the holes and insert the expansion anchors.
- 7) Fix the fan.
- 8) Install the fan into the casing
- 9) Connect air ducts

