



TRI-LITE HVLS FANS

This simple high volume low speed fan design is ideal for industrial settings and provides necessary air movement up to 325,000 CFM.

Operating on a 1 HP gear motor, minimal power consumption is combined with impressive air volumes to create the highly efficient Tri-Lite HVLS Fan.

Tri-Lite HVLS fans blanket a very large area by constantly moving air to create an expansive comfort zone. As a result, the big ceiling fan can create an evaporative cooling effect of three to four degrees throughout the facility.

During the heating season, the Tri-Lite HVLS fan technology can destratify uneven temperatures that can be in excess of fifteen degrees from ceiling to floor.

This results in significant energy savings since the heating system cycles less frequently.



RI-LITE HVLS
with whale power technology

FEATURES

Conforms to CSA Standard 22.2# 133 and UL507

- This cost-effective alternative to traditional high volume low speed fans provides:
 - 523 CFM/Watt per 24' fan
 - 392 CFM/Watt per 16' fan
- Impressive efficiency is possible by this 3-bladed design that minimizes weight while providing continuous air movement throughout the area of influence.
- Cost Effective Alternative
- Low Power Consumption = Inexpensive Operation
- Quiet Performance
- Minimal Maintenance
- Less Weight
- Motor can be reversed for updraft or downdraft applications.



PERFORMANCE SPECIFICATIONS

MODEL NUMBER	DIAMETER	NOMINAL MOTOR	VOLTS	MAX RPM	AIR MOVEMENT	WATTS	AREA OF INFLUENCE	NOISE LEVEL	WEIGHT *
HVLS-16230460-1HP	16'	0.75 KW (1 HP) - 50 HZ/60 HZ	230/460	68	144,400 CFM	368	60'	62 dBA	226 lbs
HVLS-24230460-1HP	24'	0.75 KW (1 HP) - 50 HZ/60 HZ	230/460	57	325,000 CFM	621	140'	57 dBA	251 lbs

NOTE: Requires variable frequency drive

* Weight shown above includes standard 1' mount

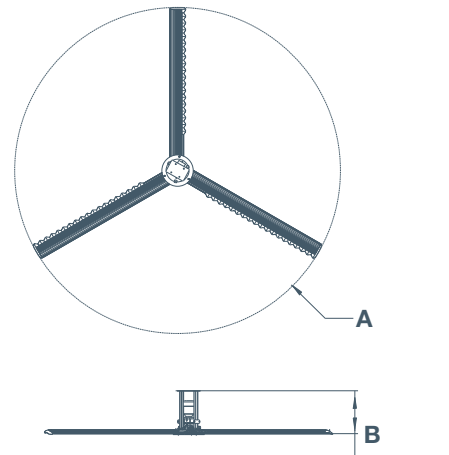
THE TUBERCLE ADVANTAGE

Tubercle Technology™ blades outperform all conventional airfoils.

They accomplish this by:

- Offering stall angles as high as 22°. Airfoil blades without whale power technology typically stall at about 8 degrees. Whale power allows for much more air movement with fewer blades.
- Eliminates span-wise pumping; the primary cause of efficiency loss in all rotating systems.
- Eliminates tip stalling; the primary cause of blade noise and damaging vibration.
- Lowering noise by offering Tubercle Technology's™ hyper-stability which also lowers vibrations which cause wear and tear on the blades and drive train.

DIMENSIONS



MODEL NUMBER	A	B
HVLS-16230460-1HP	185"	24"
HVLS-24230460-1HP	279.5"	24"

