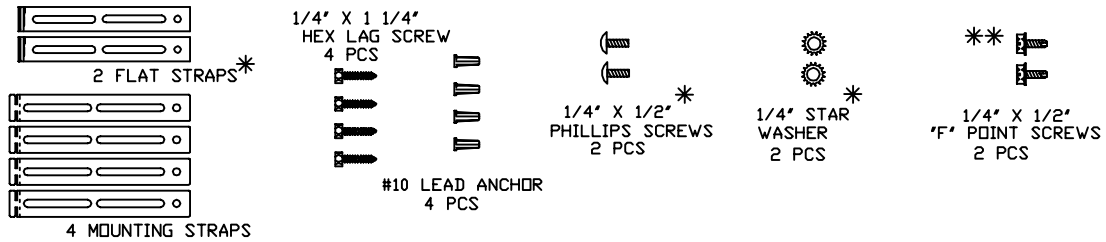


DESIGN SPECIALTIES

MOUNTING INSTRUCTIONS FOR DESIGN SPECIALTIES BUNGALOW MODEL FIREPLACE DOORS

THESE FIREPLACE DOORS HAVE BEEN FULLY ASSEMBLED AND ADJUSTED PRIOR TO PACKAGING.

STANDARD HARDWARE



TOOLS REQUIRED:

5/16" MASONRY DRILL
9/32" ALLEN WRENCH
PHILLIPS SCREWDRIVER
3/8" WRENCH
FELT TIPPED MARKER
7/32" DRILL IF MOUNTING
DIRECTLY TO STEEL LINTEL

* 1/4" SCREWS, STAR WASHERS AND FLAT STRAPS ARE PROVIDED FOR BOTTOM MOUNTING ON FIREPLACE DOORS WITH DRAFT ASSEMBLIES. SEE FIG. #3.

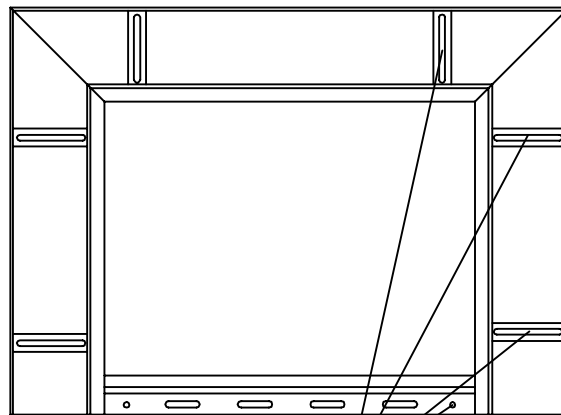
** "F" POINT SCREWS (SELF TAPING) ARE PROVIDED FOR ATTACHMENT TO THE LINTEL. USE A 7/32" DRILL FOR STEEL. SEE NOTE ABOUT OPTIONAL LINTEL CLAMPS

NOTE:

THE INSTALLER MUST DETERMINE THE BEST LOCATIONS TO ATTACH THE MOUNTING STRAPS TO THE OPENING. WE PROVIDE MOUNTING POINTS TOP, BOTTOM AND SIDES FOR EASE OF INSTALLATION. BEST RESULTS ARE ACHIEVED BY USING 4 ATTACHMENT POINTS NEAR EACH OF THE CORNERS OF THE FIREPLACE DOOR. USE THE STRAPS IN PAIRS, TWO AT THE BOTTOM AND TWO NEAR OR AT THE TOP OF THE DOOR. FOR MOST OPENINGS, IT IS EASIEST TO USE THE SIDE BRACKETS FOR MOUNTING.

OPTIONAL LINTEL CLAMPS MAY EASE INSTALLATION.

FIG # 1

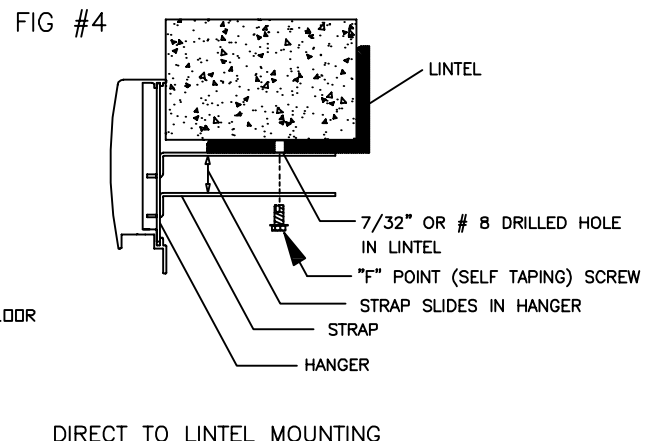
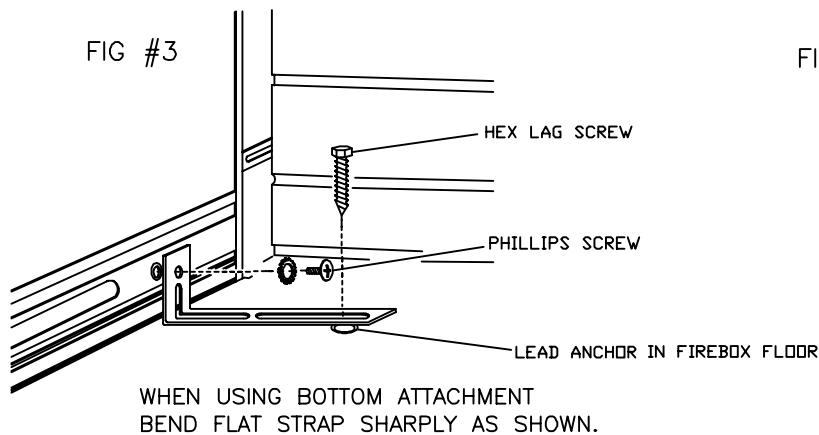
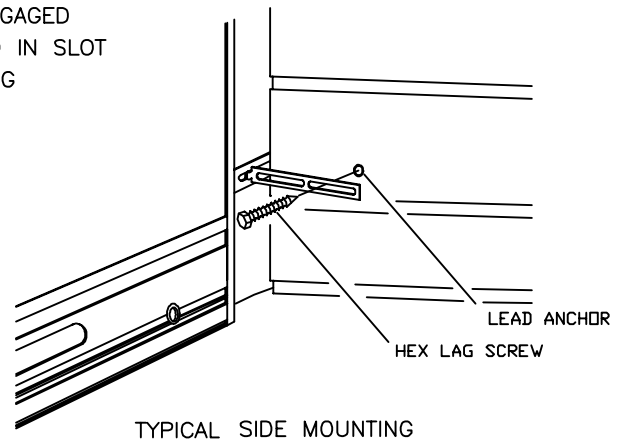
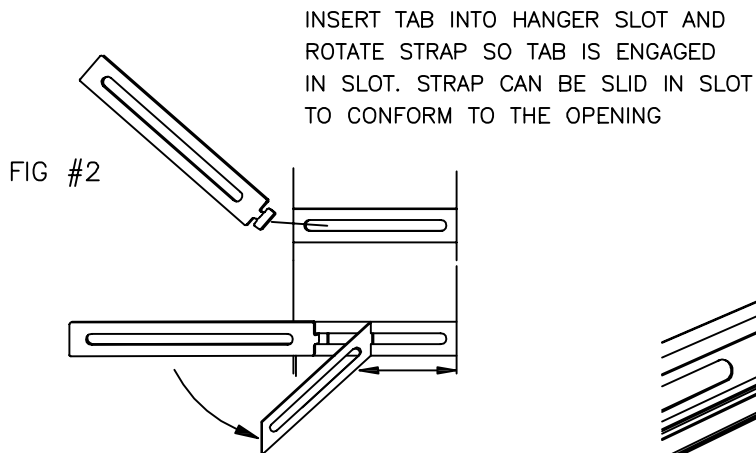


ATTACHMENT POINTS ON THE
BACKSIDE OF THE DOOR 8 PLACES

DESIGN SPECIALTIES

THE FIREPLACE SHOULD HAVE ATTACHMENT NEAR EACH CORNER.

1. CAREFULLY REMOVE THE FIREPLACE DOOR FROM THE PACKAGING.
2. LOCATE THE ATTACHMENT POINTS ON THE BACK FRAME. SEE FIG #1
3. ATTACH THE MOUNTING STRAPS TO THE FRAME HANGERS ON THE BACK FRAME. SEE FIG #2.
FOR BOTTOM ATTACHMENT, USE THE FLAT STRAP AND BEND SHARPLY. ATTACH TO THE
THREADED HOLE IN THE BOTTOM FRAME. SEE FIG #3
4. PLACE DOOR ONTO OPENING.
5. OPEN THE DOORS AND SLIDE THE MOUNTING STRAPS SO THEY ARE AGAINST THE INSIDE OF THE FIREPLACE.
6. USE THE FELT TIPPED MARKER, MARK THE INSIDE OF THE FIREPLACE THROUGH THE SLOTS IN THE
MOUNTING BRACKETS.
7. REMOVE THE FIREPLACE DOOR FROM THE OPENING.
8. USING THE 5/16" MASONRY DRILL , DRILL HOLES WHERE THE MARKS ARE INSIDE THE FIREPLACE
1 3/4" - 2" DEEP. IF MOUNTING DIRECTLY TO LINTEL, USE A 7/32" DRILL FOR STEEL. THE
"F" POINT SCREWS PROVIDED WILL SELF THREAD INTO THE HOLES TO SECURE THE STRAP
TO THE LINTEL. SEE FIG #4
9. INSERT LEAD ANCHORS INTO HOLES.
10. PLACE DOOR BACK ONTO OPENING AND USING THE LAG SCREWS PROVIDED, INSERT SCREWS THROUGH
BRACKETS AND INTO LEAD ANCHORS. TIGHTEN SCREWS WITH A 3/8" WRENCH.



DOOR ADJUSTMENTS

OUR FIREPLACE DOORS ARE FULLY ASSEMBLED AND ADJUSTED PRIOR TO LEAVING THE FACTORY. HOWEVER, THE GLASS DOORS MAY HAVE SHIFTED DURING SHIPMENT, REQUIRING AN ADJUSTMENT TO GET THE GLASS DOORS TO HANG PROPERLY.

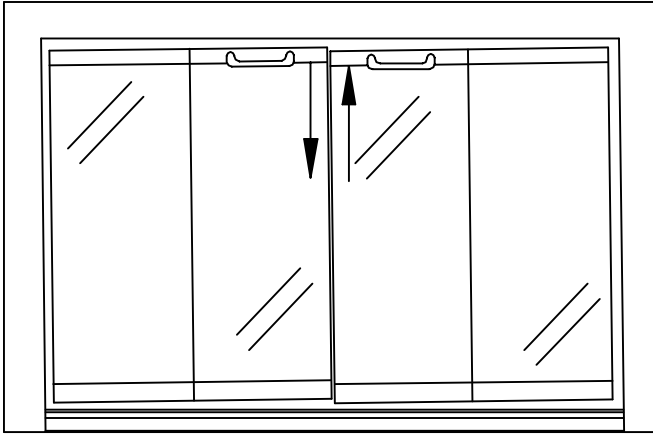


FIG #5

AFTER INSTALLING THE FIREPLACE DOOR, CHECK HOW DOORS OPERATE. CHECK THE GAPS AT THE CENTER AND BETWEEN THE GLASS DOORS AND THE FRAME. IF THE GAPS ARE THE SAME BUT THE TOPS ARE NOT IN ALIGNMENT, IT MAY BE NECESSARY TO MOVE THE BOTTOM FRAME OVER TO BRING THE TOPS OF THE GLASS DOORS INTO ALIGNMENT. LOOSEN THE MOUNTING STRAPS AND MOVE THE BOTTOM OVER SLIGHTLY UNTIL THE GLASS DOORS ARE IN ALIGNMENT. RETIGHTEN THE MOUNTING STRAP. SEE FIG. #5.

IF ONE DOOR STICKS OUT FROM THE OTHER ONE, YOU WILL NEED TO MOVE ONE OF THE CORNERS OF THE FRAME OUT SLIGHTLY. ON THE SIDE THAT THE GLASS DOORS ARE IN FROM THE OTHER DOOR, LOOSEN THE NEAREST MOUNTING STRAP AND PULL THE DOOR FORWARD UNTIL THE DOORS ARE IN ALIGNMENT. RETIGHTEN MOUNTING STRAP. SEE FIG #6.

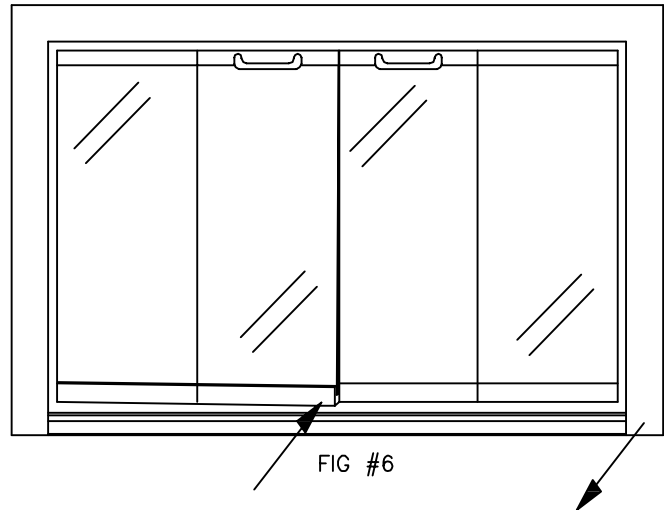


FIG #6

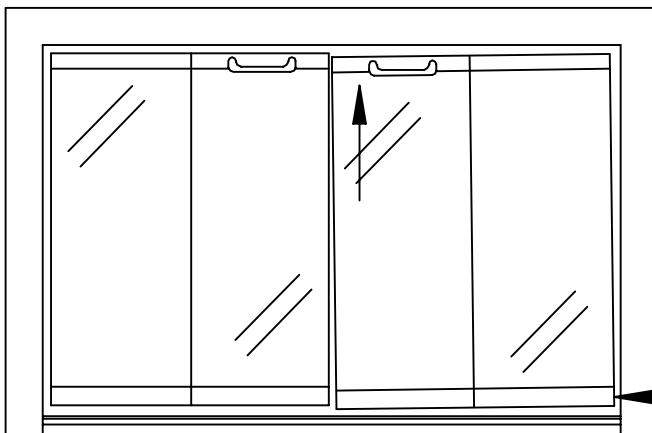
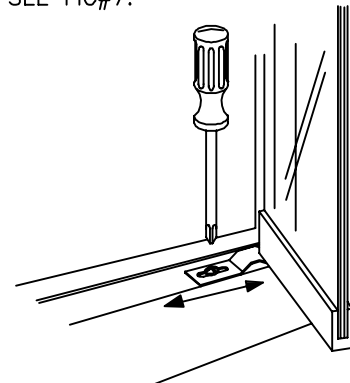


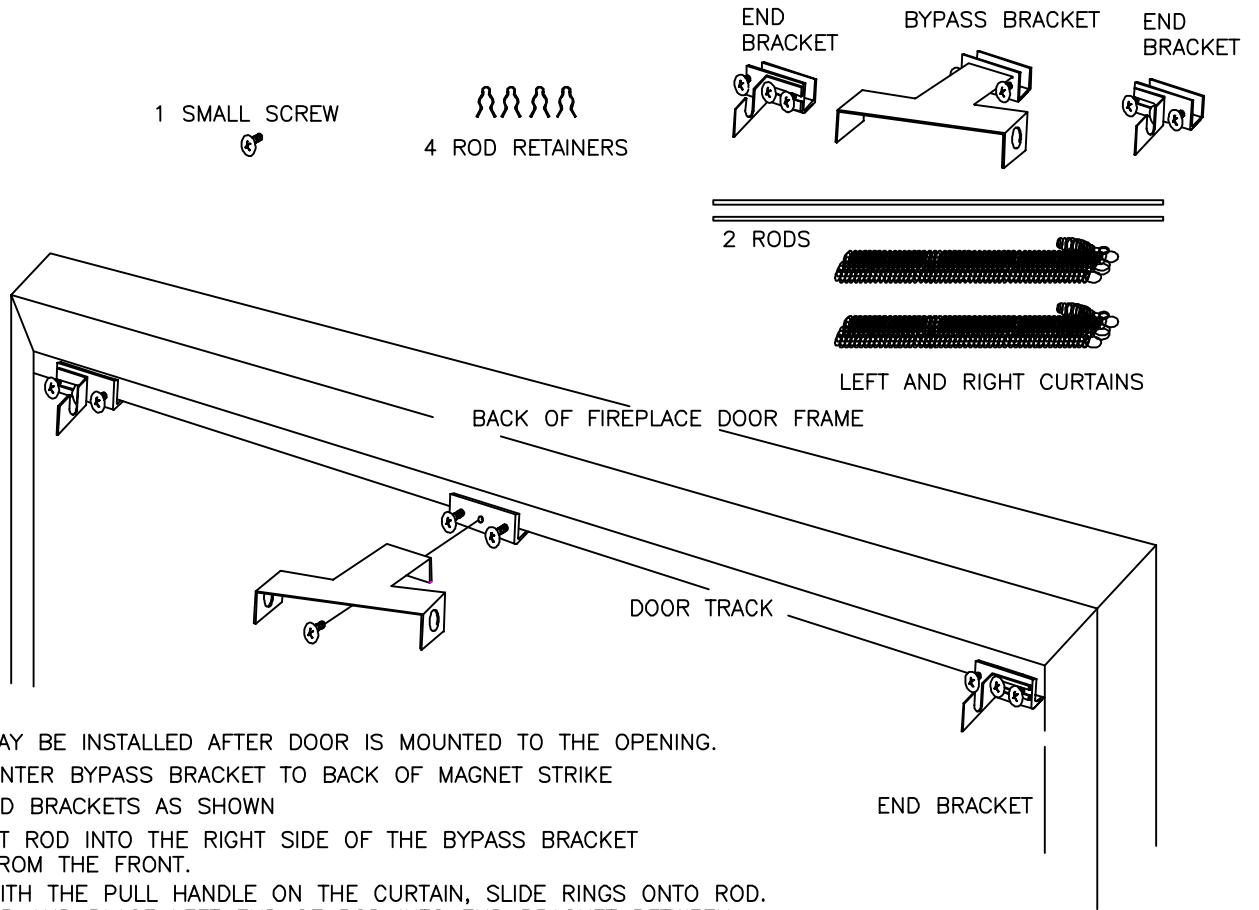
FIG #7

IF THE GAP BETWEEN THE GLASS AT THE CENTER IS DIFFERENT TOP TO BOTTOM, YOU WILL NEED TO ADJUST THE HINGES. THE GAP SHOULD BE APPROXIMATELY $1/16$ " BETWEEN THE GLASS DOORS AT THE CENTER ($1/8$ " FOR DOORS FOR FACTORY BUILT FIREPLACES). DETERMINE WHICH HINGE IS OUT OF ALIGNMENT. USING A PHILLIPS SCREWDRIVER, LOOSEN THE SCREW THAT HOLDS THE HINGE TO THE FRAME, AND SLIDE THE HINGE OVER SLIGHTLY AND RETIGHTEN. CHECK THE DOOR OPERATION, AND REPEAT THIS PROCEDURE IF NECESSARY. SEE FIG#7.



DESIGN SPECIALTIES MESH CURTAIN INSTALLATION FOR ALUMINUM FIREPLACE DOORS

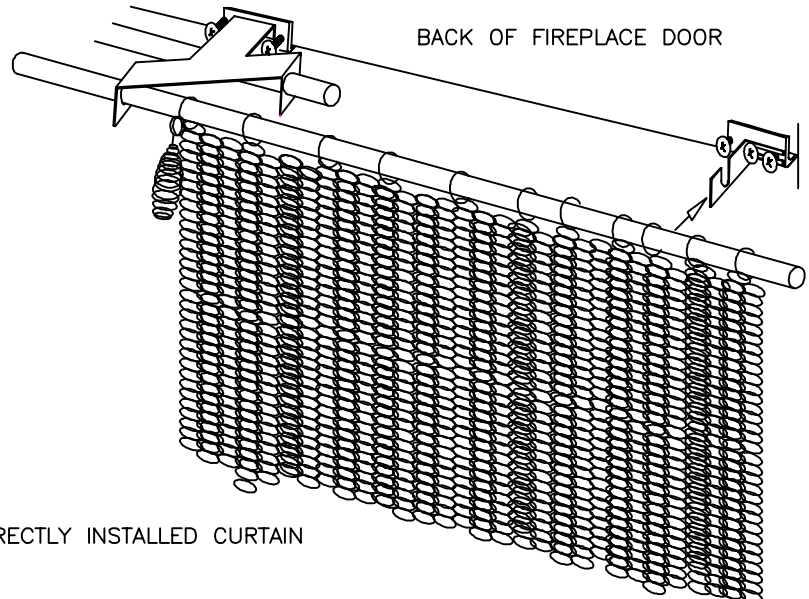
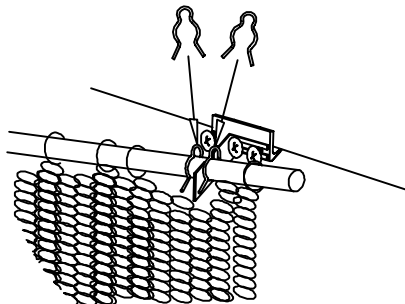
COMPLETE MESH CURTAIN KIT



NOTE: CURTAINS MAY BE INSTALLED AFTER DOOR IS MOUNTED TO THE OPENING.

1. INSTALL CENTER BYPASS BRACKET TO BACK OF MAGNET STRIKE
2. INSTALL END BRACKETS AS SHOWN
3. INSERT LEFT ROD INTO THE RIGHT SIDE OF THE BYPASS BRACKET AS SEEN FROM THE FRONT.
4. STARTING WITH THE PULL HANDLE ON THE CURTAIN, SLIDE RINGS ONTO ROD. LIFT ROD UP AND PLACE LEFT END OF ROD INTO END BRACKET BETWEEN KEEPING THE LAST OR SECOND LAST CURTAIN RING TO THE OUTSIDE OF THE BRACKET. SLIDE THE ROD OUTWARD UNTIL T CONTACTS THE SIDES OF THE FIREPLACE.
5. REPEAT THIS PROCEDURE FOR THE RIGHT SIDE ROD. IF CURTAINS ARE INSTALLED CORRECTLY, THEY WILL OVERLAP AT THE CENTER WHILE CLOSED.
6. USE THE ROD RETAINERS TO KEEP THE ROD FROM SLIDING IN THE HOLDERS. PLACE ONE ON EACH SIDE OF THE END BRACKETS AS SHOWN

PLACE RETAINERS OVER ROD ON EACH SIDE OF THE END BRACKET TO KEEP ROD IN PLACE



CORRECTLY INSTALLED CURTAIN