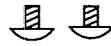


DESIGN SPECIALTIES

LINTEL CLAMP KIT

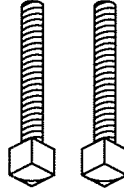
LINTEL CLAMPS PROVIDE AN ATTACHMENT POINT FOR THE MOUNTING STRAPS AT THE TOP OF THE OPENING.



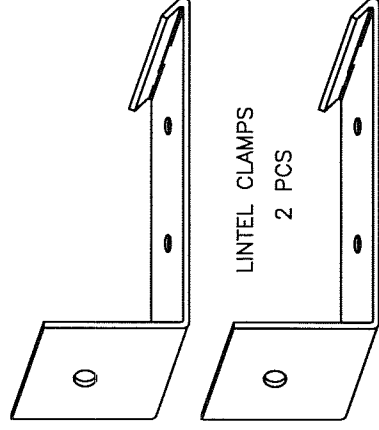
1/4" X 1/4"
PHILLIPS SCREWS
2 PCS



1/4" STAR
WASHER
2 PCS



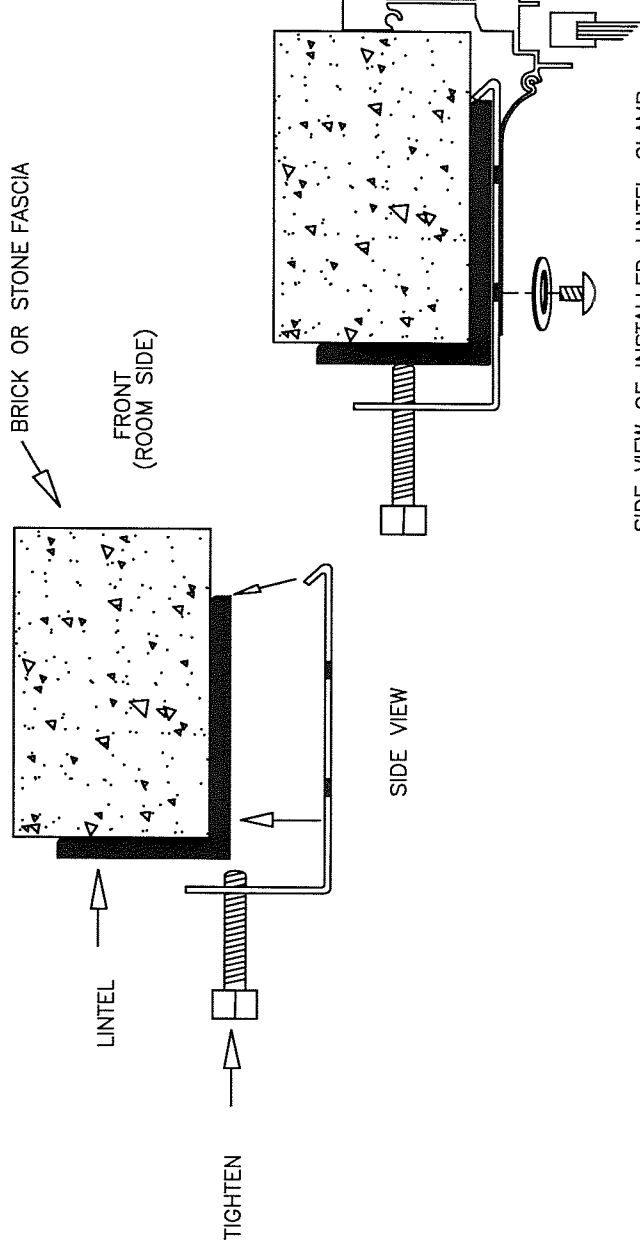
1 1/2" X 1/4" SET SCREW
2 PCS



LINTEL CLAMPS
2 PCS

THE FRONT OF THE CLAMP FITS OVER THE FRONT OF THE LINTEL.
THE LINTEL CLAMP IS HELD IN PLACE WITH THE LONG SET SCREWS PROVIDED.

THE MOUNTING STRAP IS CONNECTED TO THE FIREPLACE DOOR FRAME THEN ATTACHED TO THE LINTEL CLAMP WITH THE 1/4" PHILLIPS SCREWS PROVIDED.



SIDE VIEW OF INSTALLED LINTEL CLAMP
WITH FIREPLACE DOOR ATTACHED