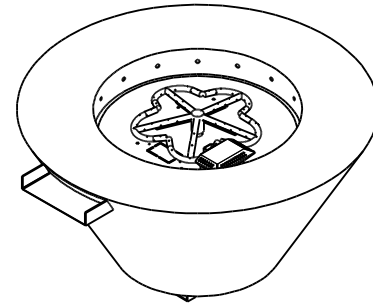
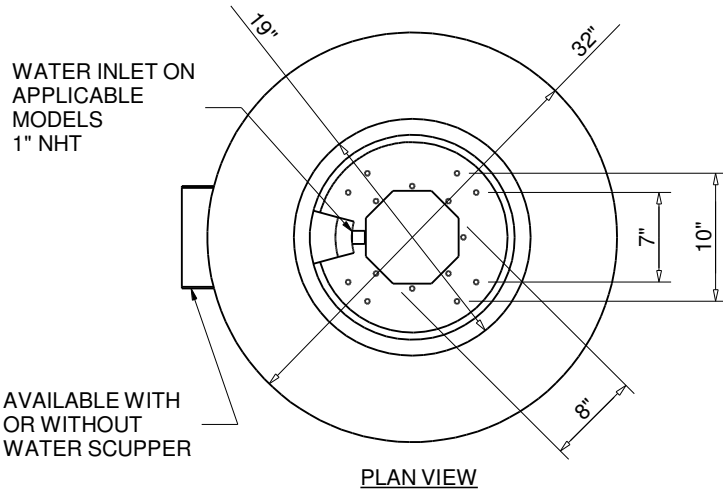




**Hearth Products Controls Co**  
**CSA CERTIFIED FIRE PIT INSERT**  
**OUTDOOR USE ONLY**  
**FOR COMMERCIAL AND RESIDENTIAL USE**

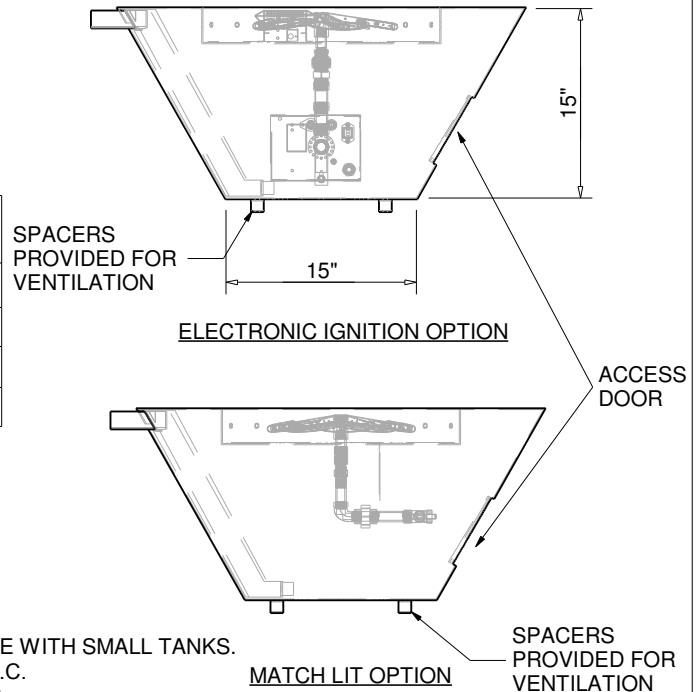
HEARTH PRODUCTS CONTROLS  
 3050 PLAINFIELD RD.  
 KETTERING, OH 45432  
 TOLL FREE: 1-877-433-7001  
 PHONE: (937) 433-7000  
 FAX: (937) 433-0704  
 www.hpcfire.com



ISOMETRIC VIEW

MATERIAL:  
 FIRE BOWL INSERT - 304 STAINLESS STEEL  
 BOWL - COPPER

PART NUMBER	WATER SCUPPER	IGNITION	STND BTU	VOLTAGE
MESA32-EI	NO	ELECTRONIC	50K	120VAC/24VAC
MESA32W-EI	YES	ELECTRONIC	50K	120VAC/24VAC
MESA32-MLFPK	NO	MATCH LIT	50K	-
MESA32W-MLFPK	YES	MATCH LIT	50K	-

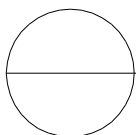


Notes:

- PROPER VENTING
  - ENCLOSURES: Recommend 4 each 18 sq.in. vents on opposing sides (Minimum 2 each 18 sq.in. vents).
  - BOWLS (Copper, concrete or metal) - Bowl to be raised above mounting surface minimum of 3/4" gap; Bowl to have a minimum of 6" diameter hole in bottom
- GAS SUPPLY - FOR USE WITH FIXED PIPING SYSTEMS ONLY - NOT FOR USE WITH SMALL TANKS.
  - Natural Gas: Operating Supply Pressure: Minimum: 6.0" W.C.; Maximum: 7.0" W.C.
  - LP Gas: Operating Supply Pressure: Minimum: 10.0" W.C.; Maximum: 11.0" W.C.

IMPORTANT: Ensure any flex line that may be used from the permanent main fuel supply to the product is rated to the stated max btu of the product and certified to ANSI Z21.75\*CSA 6.27.

- MODIFICATION OF PRODUCT WILL VOID ANY CERTIFICATION AND WARRANTY.
- FOLLOW ALL MANUFACTURER INSTALLATION INSTRUCTIONS AND LOCAL CODES.
- ALL DIMENSIONS ARE CONSIDERED TRUE AND REFLECT MANUFACTURER'S SPECIFICATIONS AS OF THE REVISION DATE.
- DO NOT SCALE DRAWING.
- THESE DRAWINGS ARE FOR SIZING AND PLANNING PURPOSES. ALL INFORMATION CONTAINED HEREIN WAS CURRENT AT THE TIME OF DEVELOPMENT. THE MANUFACTURER'S RESPONSIBLE FOR THE ACCURACY OF THE DRAWING.
- CONTRACTOR'S NOTE: FOR PRODUCT AND COMPANY INFORMATION VISIT [www.CADdetails.com/info](http://www.CADdetails.com/info) REFERENCE NUMBER 771-020.



MESA WITH EI FIRE PIT- FLAME SENSING WITH ELECTRONIC HOT SURFACE IGNITION  
 MESA WITH MATCH LIT FIRE PIT INSERT