

# INSTALLATION INSTRUCTIONS

## DOWNFLOW FURNACE SUBBASE KIT


### NAHA01101SB

**NOTE:** For use on combustible floors for 80%, 33.3 inch (846mm), multipoise, non-condensing furnace.

#### SAFETY CONSIDERATIONS

Improper installation, adjustment, alteration, service, maintenance, or use can cause explosion, fire, electrical shock, or other conditions which may cause death, personal injury, or property damage. Consult a qualified installer, service agency, or your distributor or branch for information or assistance. The qualified installer or agency must use factory-authorized kits or accessories when modifying this product. Refer to the individual instructions packaged with the kits or accessories when installing.

Follow all safety codes. Wear safety glasses, protective clothing, and work gloves. Use quenching cloth for brazing operations. Have fire extinguisher available. Read these instructions thoroughly and follow all warnings or cautions included in literature and attached to the unit. Consult local building codes, the current editions of the National Fuel Gas Code (NFCG) NFPA 54/ANSI Z223.1, and the National Electrical Code (NEC) NFPA 70.

Recognize safety information. This is the safety-alert symbol . When you see this symbol on the unit and in instructions or manuals, be alert to the potential for personal injury. Understand these signal words; DANGER, WARNING, and CAUTION. These words are used with the safety-alert symbol. DANGER identifies the most serious hazards which **will** result in severe personal injury or death. WARNING signifies hazards which **could** result in personal injury or death. CAUTION is used to identify unsafe practices which **may** result in minor personal injury or product and property damage. NOTE is used to highlight suggestions which **will** result in enhanced installation, reliability, or operation.

ISO 9001:2000



#### INTRODUCTION

These instructions cover installation of floor subbase for use with downflow gas furnaces. The design of the subbase is A.G.A. certified for use with a downflow gas furnace.

#### DESCRIPTION AND USAGE

In downflow installations, the manufacturer's accessory floor base must be used when installing a downflow gas furnace on combustible materials and wood flooring. Special base is not required when the furnace is installed on a manufacturer's Coil Assembly.

The subbase kit, when properly installed, will allow safe installation of the furnace. The kit contains the following items:

Side Rail	2
Insulation strips (1 1/4 in. x 92 in.)	3
Locating tab (1 in. x 2 1/2 in.)	2
Screw	4
Double-sided tape	1
Installation Instructions	1

#### INSTALLATION



### CAUTION

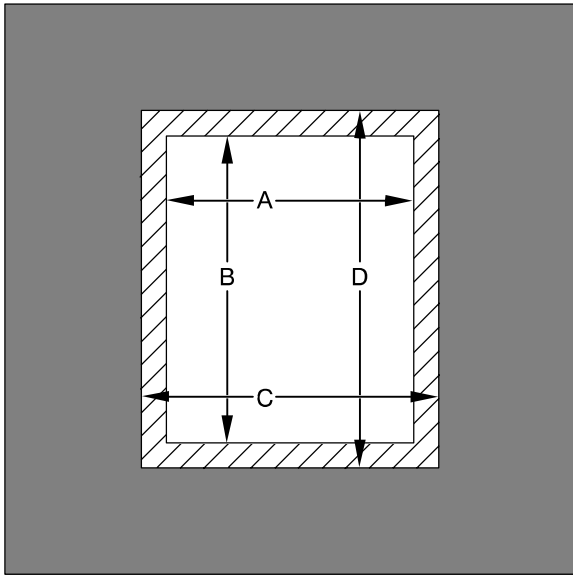
#### CUT HAZARD

Failure to follow this caution may result in personal injury.

Sheet metal parts may have sharp edges or burrs. Use care and wear appropriate clothing, safety glasses and gloves when handling parts and servicing furnaces.

1. Cut and frame hole in floor according to dimensions in Table 1 and Figure 1.
  2. Assemble floor subbase.
    - a. Arrange base parts as shown in Figure 2.
    - b. Assemble front and rear adjustable rails. See Table 1 for selection of screw holes for width adjustment. The hole number must correspond to the size furnace being installed.
- NOTE:** Each successive hole in the adjustable rail must be matched with the same numbered hole of the opposite rail, first hole to first hole, second hole to second hole, etc. (See Table 1 and Figure 2)
- c. Fasten rails together with screws provided in kit. (See Figure 2)

**Figure 1** Floor and Plenum Opening Dimensions



3. Install factory-supplied strips of insulation on top and bottom sides of adjustable rails. (See Figure 3)
  - a. Cut double-sided adhesive tape to proper length.
  - b. Apply double-sided adhesive tape to top and bottom of adjustable rails.
  - c. Cut insulation to proper length.
  - d. Remove protective backing from double-sided tape to expose adhesive.
  - e. Apply strips of insulation to adhesive tape. Insulation must be properly installed to ensure an adequate seal and prevent air leakage between floor and base, and base and plenum. (See Figure 3)
4. Install subbase over hole cut in floor. Locating tabs on subbase MUST be at sides and back of furnace when installed. (See Figure 2)
5. Install plenum into floor subbase assembly.

NOTE: The flange around the plenum top should be 1-1/4-in. maximum, 7/8-in. minimum to provide an adequate seal between the furnace or coil casing and the plenum.

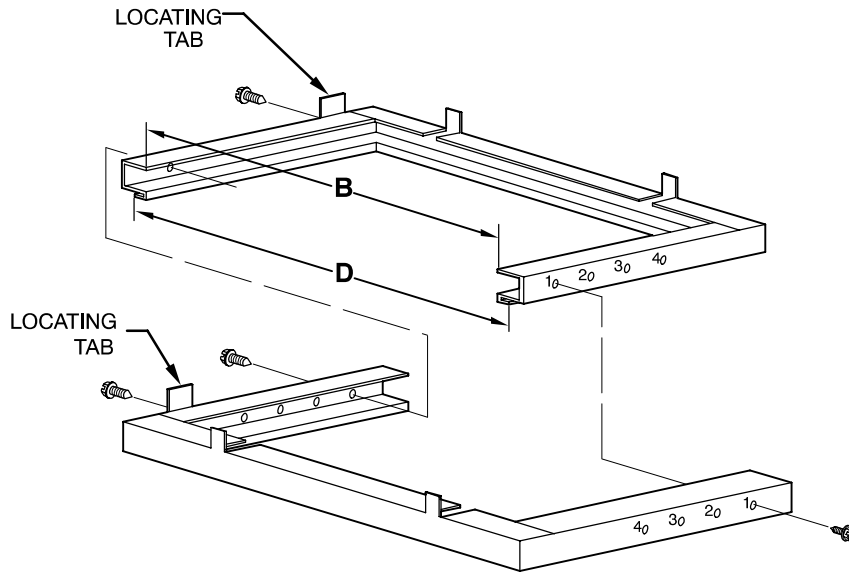
**Table 1** OPENING DIMENSIONS - in(mm)

FURNACE CASING WIDTH	APPLICATION	PLENUM OPENING		FLOOR OPENING	
		A	B	C	D
14 3/16	Non-Combustible Flooring	12 -11/16 (322.2)	19 (482.6)	13-3/8 (339.7)	19-5/8 (498.5)
	Combustible Flooring using subbase accessory	11 -13/16 (300)	19 (482.6)	13-7/16 (341.3)	20-3/8 (517.5)
	Combustible Flooring with coil assembly	12 -5/16 (312.7)	19 (482.6)	13-5/16 (338.1)	20 (508)
17 1/2	Non-Combustible Flooring	16 (406.4)	19 (482.6)	16-5/8 (422.2)	19-5/8 (498.5)
	Combustible Flooring using subbase accessory	15-1/8 (384.2)	19 (482.6)	16-3/4 (425.5)	20-3/8 (517.5)
	Combustible Flooring with coil assembly	15-1/2 (393.7)	19 (482.6)	16-1/2 (419.1)	20 (508)
21	Non-Combustible Flooring	19-1/2 (495.3)	19 (482.6)	20-1/8 (511.2)	19-5/8 (498.5)
	Combustible Flooring using subbase accessory	18-5/8 (473.1)	19 (482.6)	20-1/4 (514.4)	20-3/8 (517.5)
	Combustible Flooring with coil assembly	19 (482.6)	19 (482.6)	20 (508)	20 (508)
24 1/2	Non-Combustible Flooring	23 (584.2)	19 (482.6)	23-5/8 (600.1)	19-5/8 (498.5)
	Combustible Flooring using subbase accessory	22-1/8 (562)	19 (482.6)	23-3/4 (603.3)	20-3/8 (517.5)
	Combustible Flooring with coil assembly	22-1/2 (271.5)	19 (482.6)	23-1/2 (596.9)	20 (508)

6. Install factory-supplied strips of insulation to plenum top. (See Figure 4)
  - a. Cut double-sided adhesive tape to proper length.
  - b. Apply double-sided adhesive tape to top of plenum flange.
  - c. Cut insulation to proper length.
  - d. Remove protective backing from double-sided tape to expose adhesive.
  - e. Apply insulation to adhesive tape. Insulation must be properly installed to ensure an adequate seal and prevent air leakage between plenum and furnace. (See Figure 4)
7. Refer to the furnace Installation Instructions to complete the furnace installation.

Figure 2

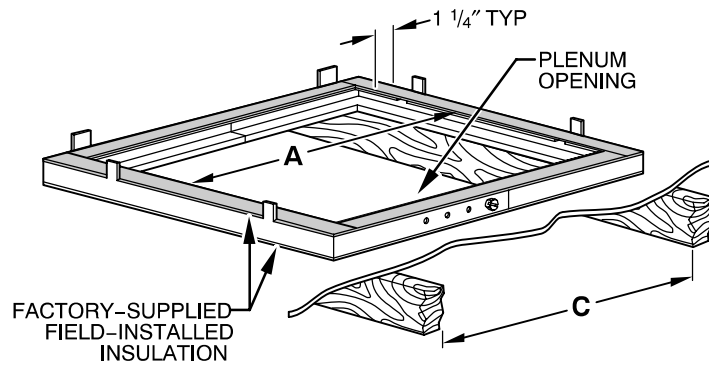
Disassembled Floor Subbase



A88207

Figure 3

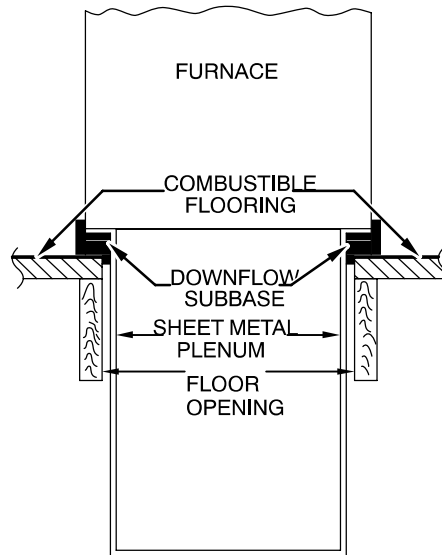
Installed Floor Subbase



A97427

Figure 4

Installed Furnace on Subbase and Plenum



A96285