



# PLASTEC VENTILATION, INC.

www.plastecvent.net Phone: 941-751-7596 Fax: 941-751-7598

## Submittal Data and Specifications

### Mounting Brackets (MB)

**Material of Construction:**

Body is made of pickled steel with hammered black paint finish.

**Application:**

Provides rigid support of motor and blower. Provides flange with prepunched holes for securing to rigid support to help prevent vibration. MB15 through MB35 for inside use.

**Manufacturer:**

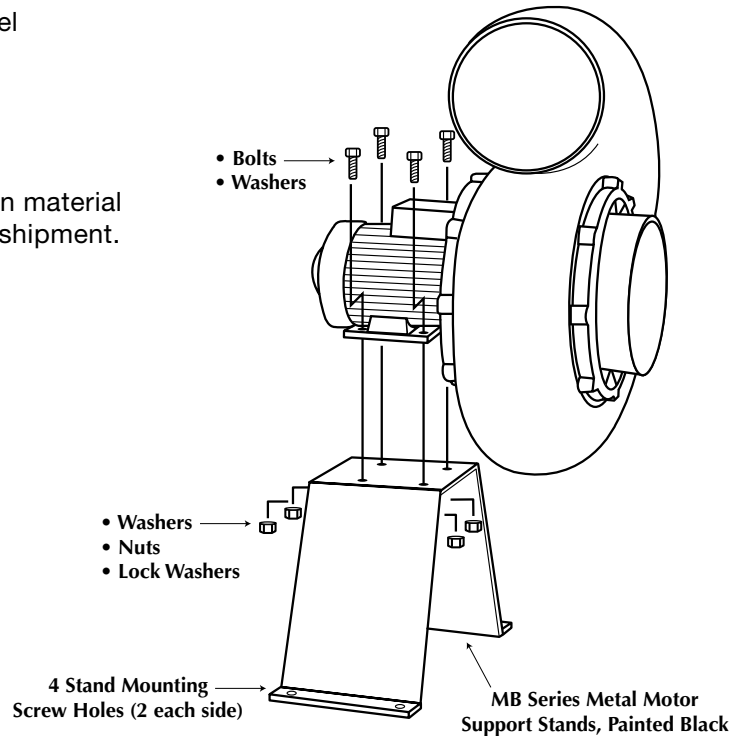
Shall be manufactured under the authority of Plastec Ventilation, Inc.

**Shall have the following Features and Benefits:**

- Attractive Design
- Easy to install
- Motor mounting hardware supplied is stainless steel
- Strong, durable and rust resistant
- Model MB35 has support bracket

**Warranty:**

This equipment is warranted to be free from defects in material and workmanship for two years from date of original shipment. For the complete warranty agreement, see I, O & M on [www.plastecvent.net](http://www.plastecvent.net).



For dimensional data, see Plastec's Performance and Dimensional Data Sheets.

PROJECT			ARCHITECT
CONTRACTOR	DATE	SUBMITTED BY	ENGINEER
<b>SPECIFICATION</b>			
RELATED FAN POSITION	MODEL #	QTY	NOTES