

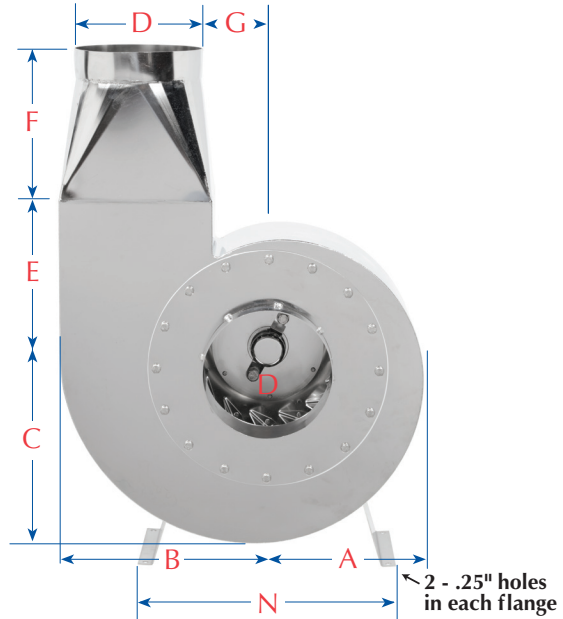
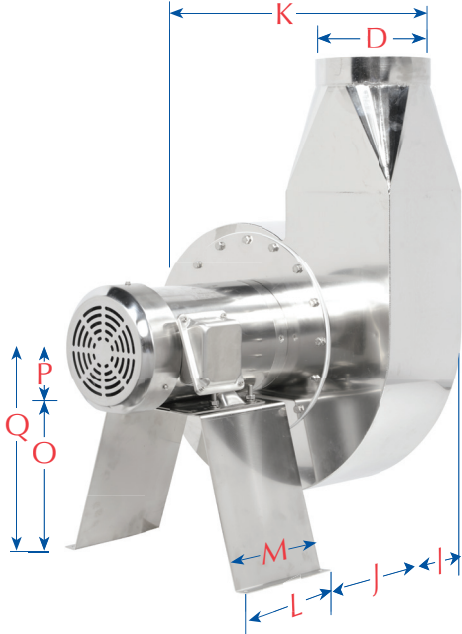


PHONE: (941) 751-7596  
 FAX: (941) 751-7598  
 www.plastecvent.net

# PSS20BI

Inlet - Outlet Outside Dimensions (O/D): 6.50

Impeller Diameter: 10.63



316 Stainless Steel Motor Support Stand comes standard with PSS20BI Series.

## DIMENSIONAL DATA (inches)

A	B	C	D	E	F	G	H	I	J	L	M	N	O
7.90	10.75	9.50	6.50	8.50	7.50	3.40	1.50	3.25	4.00	7.125	6.25	14.75	9.375

K	P	Q	BLOWER TYPE
20.00	3.375	12.75	PSS20BISS2PAS
16.33	3.50	13.00	PSS20BISS2PGP
20.00	3.50	13.00	PSS20BISS4PAS
14.46	3.50	13.00	PSS20BISS4PGP
20.00	3.50	13.00	PSS20BIST2PAS
14.98	3.50	13.00	PSS20BIST2PGP
13.51	3.50	13.00	PSS20BIST4PGP
14.89	3.50	13.00	PSS20BIST4PGP

PSS mounted to optional WH5 with Inspection Lid open



## ROTATION AND DISCHARGE FOR CENTRIFUGAL FANS

### Standard Position



Counter-Clockwise  
Up Blast  
CCW 360



Counter-Clockwise  
Top Angular  
Up Blast  
CCW 45



Counter-Clockwise  
Top Horizontal  
CCW 90



Counter-Clockwise  
Top Angular  
Down Blast  
CCW 135



Counter-Clockwise  
Down-Blast  
CCW 180



Counter-Clockwise  
Bottom Angular  
Down Blast  
CCW 225



Counter-Clockwise  
Bottom  
Horizontal  
CCW 270



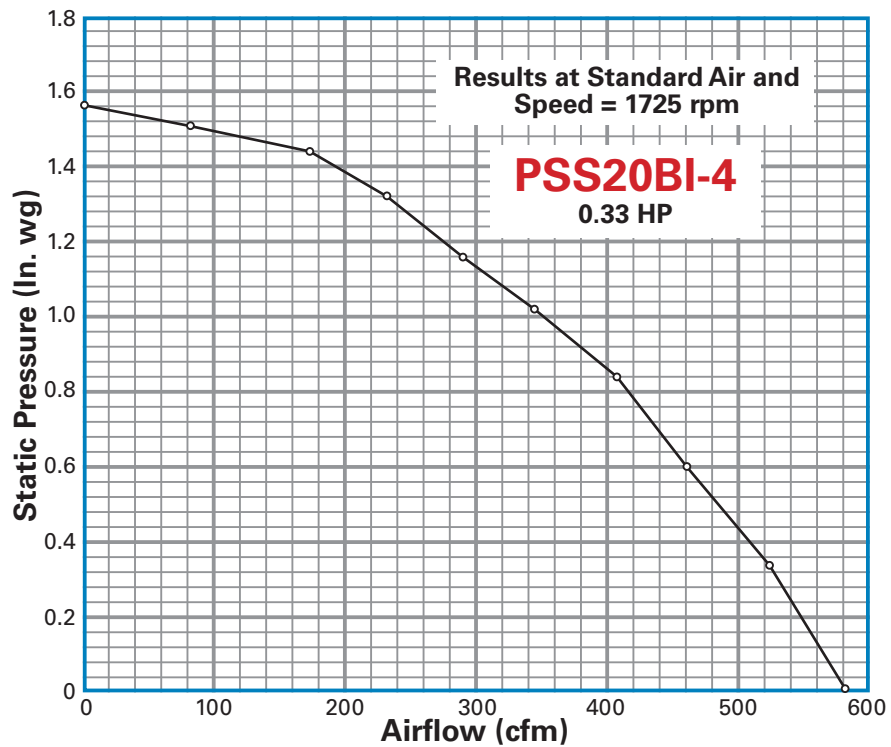
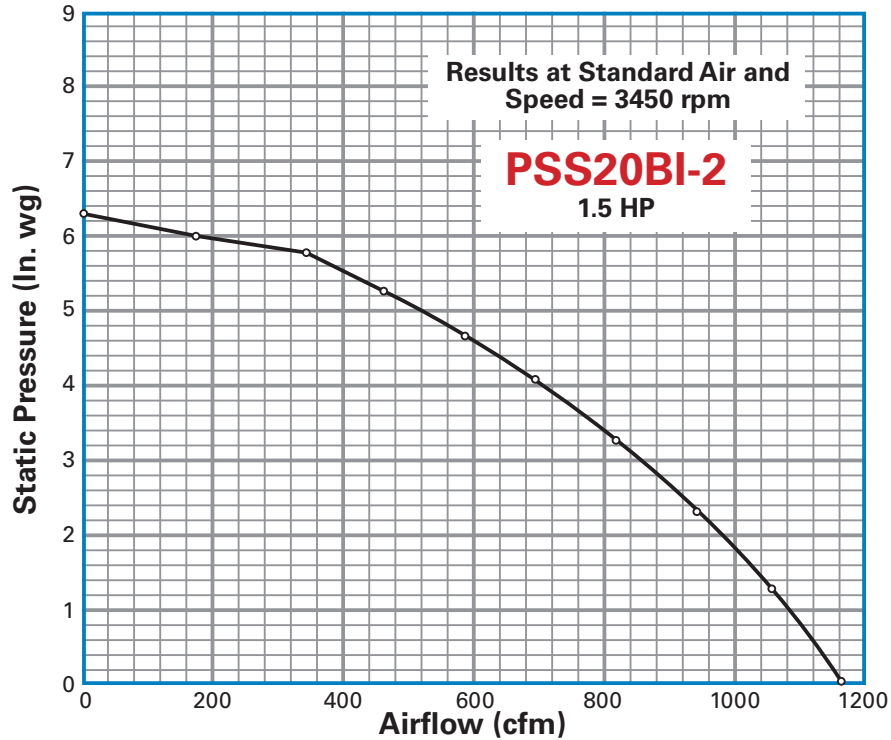
Counter-Clockwise  
Bottom Angular  
Up Blast  
CCW 315

### Optional Field Adjustable Positions

### Notes:

- Direction of rotation is determined from the drive side of fan. **Standard position is up-blast CCW 360.**
- On single inlet fans, drive side is always considered as the side opposite fan inlet.

# PSS20BI



Test Method per ANSI / AMCA Standard 210-16, Figure 12 Setup, Installation Type D