

INSTALLATION AND SERVICE MANUAL
power vented gas-fired unit heaters
model PTP and BTP



All models approved for use in California by the CEC and in Massachusetts. Unit heater is certified for non-residential applications.



FOR YOUR SAFETY

The use and storage of gasoline or other flammable vapors and liquids in open containers in the vicinity of this appliance is hazardous.

! WARNING

1. Improper installation, adjustment, alteration, service, or maintenance can cause property damage, injury, or death, and could cause exposure to substances which have been determined by various state agencies to cause cancer, birth defects, or other reproductive harm. Read the installation, operating, and maintenance instructions thoroughly before installing or servicing this equipment.
2. Do not locate ANY gas-fired units in areas where chlorinated, halogenated, or acidic vapors are present in the atmosphere. These substances can cause premature heat exchanger failure due to corrosion, which can cause property damage, serious injury, or death.

IMPORTANT

The use of this manual is specifically intended for a qualified installation and service agency. All installation and service of these units must be performed by a qualified installation and service agency.

FOR YOUR SAFETY

WHAT TO DO IF YOU SMELL GAS:

1. Open windows.
2. Do not try to light any appliance.
3. Do not touch any electrical switch; do not use any phone in your building.
4. Extinguish any open flame.
5. Immediately call your gas supplier from a neighbor's phone. Follow the gas supplier's instructions. If you can not reach your gas supplier, call your fire department.

- Inspection on Arrival**
1. Inspect unit upon arrival. In case of damage, report it immediately to transportation company and your local Modine sales representative.
 2. Check rating plate on unit to verify that power supply meets available electric power at the point of installation.
 3. Inspect unit upon arrival for conformance with description of product ordered (including specifications where applicable).

Table of Contents

- Inspection on Arrival 1
- Special Precautions 2
- SI (Metric) Conversion Factors 3
- Before You Begin 3
- Unit Location 4
 - Combustible Material and Service Clearances 4
 - Unit Mounting 5
- Installation 6
 - Venting 6
 - Gas Connections 11
 - High-Altitude Accessory Kit 12
 - Electrical 14
 - Installation with Ductwork 15
 - Requirements/Adjustments and Data for Blower Units 15
- Start-Up Procedure/Operation 20
- Unit Components 21
- Performance Data - General 22
- Performance Data - Downturn Hoods 23
- Dimensions 24
- Service/Troubleshooting 26
- Model/Serial Number/Replacement Parts 27
- Commercial Warranty Last two pages

SPECIAL PRECAUTIONS

SPECIAL PRECAUTIONS

THE INSTALLATION AND MAINTENANCE INSTRUCTIONS IN THIS MANUAL MUST BE FOLLOWED TO PROVIDE SAFE, EFFICIENT AND TROUBLE-FREE OPERATION. IN ADDITION, PARTICULAR CARE MUST BE EXERCISED REGARDING THE SPECIAL PRECAUTIONS LISTED BELOW. FAILURE TO PROPERLY ADDRESS THESE CRITICAL AREAS COULD RESULT IN PROPERTY DAMAGE OR LOSS, PERSONAL INJURY, OR DEATH. THESE INSTRUCTIONS ARE SUBJECT TO ANY MORE RESTRICTIVE LOCAL OR NATIONAL CODES.

HAZARD INTENSITY LEVELS

1. **DANGER:** Indicates an imminently hazardous situation which, if not avoided, WILL result in death or serious injury.
2. **WARNING:** Indicates a potentially hazardous situation which, if not avoided, COULD result in death or serious injury.
3. **CAUTION:** Indicates a potentially hazardous situation which, if not avoided, MAY result in minor or moderate injury.
4. **IMPORTANT:** Indicates a situation which, if not avoided, MAY result in a potential safety concern.

DANGER

Appliances must not be installed where they may be exposed to a potentially explosive or flammable atmosphere.

WARNING

1. Gas fired heating equipment must be vented - do not operate unvented.
2. A built-in power exhaust fan is provided - additional external power exhausters are not required or permitted.
3. If an existing heater is being replaced, it may be necessary to resize the venting systems. Improperly sized venting systems can result in vent gas leakage or the formation of condensate. Refer to the National Fuel Gas Code ANSI Z223.1 (NFPA 54) or CSA B149.1 - latest edition. Failure to follow these instructions can result in injury or death.
4. Under no circumstances should two sections of double wall vent pipe be joined together within one horizontal vent system due to the inability to verify complete seal of inner pipes.
5. All field gas piping must be pressure/leak tested prior to operation. Never use an open flame. Use a soap solution or equivalent for testing.
6. Gas pressure to appliance controls must never exceed 14" W.C. (1/2 psi).
7. To reduce the opportunity for condensation, the minimum sea level input to the appliance, as indicated on the serial plate, must not be less than 5% below the rated input, or 5% below the minimum rated input of dual rated units.
8. Disconnect power supply before making wiring connections to prevent electrical shock and equipment damage.
9. All appliances must be wired strictly in accordance with wiring diagram furnished with the appliance. Any wiring different from the wiring diagram could result in a hazard to persons and property.
10. Any original factory wiring that requires replacement must be replaced with wiring material having a temperature rating of at least 105°C.
11. Ensure that the supply voltage to the appliance, as indicated on the serial plate, is not 5% greater than the rated voltage.

WARNING

12. When servicing or repairing this equipment, use only factory-approved service replacement parts. A complete replacement parts list may be obtained by contacting the factory. Refer to the rating plate on the appliance for complete appliance model number, serial number, and company address. Any substitution of parts or controls not approved by the factory will be at the owner's risk.

CAUTION

1. All literature shipped with this unit should be kept for future use for servicing or service diagnostics. Do not discard any literature shipped with this unit.
2. Consult piping, electrical, and venting instructions in this manual before final installation.
3. Do not attach ductwork, air filters, or polytubes to any propeller unit heater.
4. Clearances to combustible materials are critical. Be sure to follow all listed requirements.
5. Heaters are designed for use in heating applications with ambient startup temperatures between -40°F and 90°F, and ambient operating temperatures between 40°F and 90°F.
6. Do not install unit outdoors.
7. In garages or other sections of aircraft hangars such as offices and shops that communicate with areas used for servicing or storage, keep the bottom of the unit at least 7' above the floor unless the unit is properly guarded to provide user protection from moving parts. In parking garages, the unit must be installed in accordance with the standard for parking structures ANSI/NFPA 88A - latest edition, and in repair garages the standard for repair garages NFPA 30A - latest edition (formerly NFPA 88B). In Canada, installation of heaters in airplane hangars must be in accordance with the requirements of the enforcing authority, and in public garages in accordance with the current CSA-B149 codes.
8. In aircraft hangars, keep the bottom of the unit at least 10' from the highest surface of the wings or engine enclosure of the highest aircraft housed in the hangars and in accordance with the requirements of the enforcing authority and/or NFPA 409 - latest edition.
9. Installation of units in high humidity or salt water atmospheres will cause accelerated corrosion, resulting in a reduction of the normal life of the units.
10. Do not install units below 7' measured from the bottom of the unit to the floor in commercial applications (unless unit is properly guarded to provide user protection from moving parts).
11. Be sure no obstructions block air intake and discharge of unit heaters.
12. The minimum distance from combustible material is based on the combustible material surface not exceeding 160°F. Clearance from the top of the unit may be required to be greater than the minimum specified if heat damage, other than fire, may occur to materials above the unit heater at the temperature described.
13. Allow 18" of clearance at rear (or 12" beyond end of motor at rear of unit, whichever is greater) and access side to provide ample air for proper operation of fan.
14. Installation must conform with local building codes or in the absence of local codes, with the National Fuel Gas Code, ANSI Z223.1 (NFPA 54) - latest edition. In Canada installation must be in accordance with CSA-B149.1.

SPECIAL PRECAUTIONS / SI (METRIC) CONVERSION FACTORS

CAUTION

15. Purging of air from gas supply line should be performed as described in the National Fuel Gas Code, ANSI Z223.1 (NFPA 54) - latest edition. In Canada, installation must be in accordance with CSA-B149.1.
16. When leak testing the gas supply piping system, the appliance and its combination gas control must be isolated during any pressure testing in excess of 14" W.C. (1/2 psi).
17. The unit should be isolated from the gas supply piping system by closing its field installed manual shut-off valve. This manual shut-off valve should be located within 6' of the heater.
18. Turn off all gas before installing appliance.
19. Ensure that the supply voltage to the appliance, as indicated on the serial plate, is not less than 5% below the rated voltage.
20. Check the gas inlet pressure at the unit upstream of the combination gas control. The inlet pressure should be 6-7" W.C. on natural gas or 11-14" W.C. on propane. If inlet pressure is too high, install an additional pressure regulator upstream of the combination gas control.
21. Service or repair of this equipment must be performed by a qualified service agency.
22. Do not attempt to reuse any mechanical or electronic ignition controller which has been wet. Replace defective controller.

IMPORTANT

1. To prevent premature heat exchanger failure, do not locate ANY gas-fired appliances in areas where corrosive vapors (i.e. chlorinated, halogenated, or acidic) are present in the atmosphere.
2. To prevent premature heat exchanger failure, the input to the appliance as indicated on the serial plate, must not exceed the rated input by more than 5%.
3. Start-up and adjustment procedures must be performed by a qualified service agency.

BEFORE YOU BEGIN

CAUTION

1. All literature shipped with this unit should be kept for future use for servicing or service diagnostics. Leave manual with the owner. Do not discard any literature shipped with this unit.
2. Consult piping, electrical, and venting instructions in this manual before final installation.
3. Do not attach ductwork, air filters, or polytubes to any propeller unit heater.

In the U.S., the installation of these units must comply with the National Fuel Gas Code, ANSI Z223.1 (NFPA 54) - latest edition and other applicable local building codes. In Canada, the installation of these units must comply with local plumbing or waste water codes and other applicable codes and with the current code CSA-B149.1.

1. All installation and service of these units must be performed by a qualified installation and service agency only as defined in ANSI Z223.1 (NFPA 54) - latest edition or in Canada by a licensed gas fitter.
2. This unit is certified with the controls furnished. For replacements parts, please order according to the replacement parts list on serial plate. Always know your model and serial numbers. Modine reserves the right to substitute other authorized controls as replacements.
3. Unit is balanced for correct performance. Do not alter fan or operate motors at speeds below what is shown in this manual.
4. Information on controls is supplied separately.
5. The same burner is used for natural and propane gas.

SI (Metric) Conversion Factors

To Convert	Multiply By	To Obtain
"W.C.	0.249	kPa
°F	(°F-32) x 5/9	°C
BTU	1.06	kJ
Btu/ft ³	37.3	kJ/m ³
Btu/hr	0.000293	kW
CFH (ft ³ /hr)	0.000472	m ³ /min
CFH (ft ³ /hr)	0.00000787	m ³ /s
CFM (ft ³ /min)	0.0283	m ³ /min
CFM (ft ³ /min)	0.000472	m ³ /s
feet	0.305	m
Gal/Hr.	0.00379	m ³ /hr
Gal/Hr.	3.79	l/hr
gallons	3.79	l
Horsepower	746	W
inches	25.4	mm
pound	0.454	kg
psig	6.89	kPa
psig	27.7	"W.C.

UNIT LOCATION

UNIT LOCATION

⚠ DANGER

Appliances must not be installed where they may be exposed to a potentially explosive or flammable atmosphere.

⚠ CAUTION

- Clearances to combustible materials are critical. Be sure to follow all listed requirements.
- Heaters are designed for use in heating applications with ambient startup temperatures between -40°F and 90°F, and ambient operating temperatures between 40°F and 90°F.
- Do not install unit outdoors.
- In garages or other sections of aircraft hangars such as offices and shops that communicate with areas used for servicing or storage, keep the bottom of the unit at least 7' above the floor unless the unit is properly guarded. In parking garages, the unit must be installed in accordance with the standard for parking structures ANSI/NFPA 88A - latest edition, and in repair garages the standard for repair garages NFPA 30A - latest edition (formerly NFPA 88B). In Canada, installation of heaters in airplane hangars must be in accordance with the requirements of the enforcing authority, and in public garages in accordance with the current CSA-B149 codes.
- In aircraft hangars, keep the bottom of the unit at least 10' from the highest surface of the wings or engine enclosure of the highest aircraft housed in the hangars and in accordance with the requirements of the enforcing authority and/or NFPA 409 - latest edition.
- Installation of units in high humidity or salt water atmospheres will cause accelerated corrosion resulting in a reduction of the normal life of the units.

IMPORTANT

To prevent premature heat exchanger failure, do not locate ANY gas-fired appliances in areas where corrosive vapors (i.e. chlorinated, halogenated or acidic) are present in the atmosphere.

Location Recommendations

- When locating the heater, consider general space and heating requirements, availability of gas and electrical supply, and proximity to vent locations.
- When locating units, it is important to consider that the exhaust vent piping must be connected to the outside atmosphere. Maximum equivalent vent lengths are listed in "Section A - General Instruction - All Units" of the Venting instructions.
- Be sure the structural support at the unit location site is adequate to support the unit's weight. Refer to page 18 for unit weights. For proper operation the unit must be installed in a level horizontal position.
- Do not install units in locations where the flue products can be drawn into the adjacent building openings such as windows, fresh air intakes, etc.
- Be sure that the minimum clearances to combustible materials and recommended service clearances are maintained. Units are designed for installation with the minimum clearances as shown in Figure 4.1 and Table 4.1.

Figure 4.1 - Combustible Material and Service Clearances

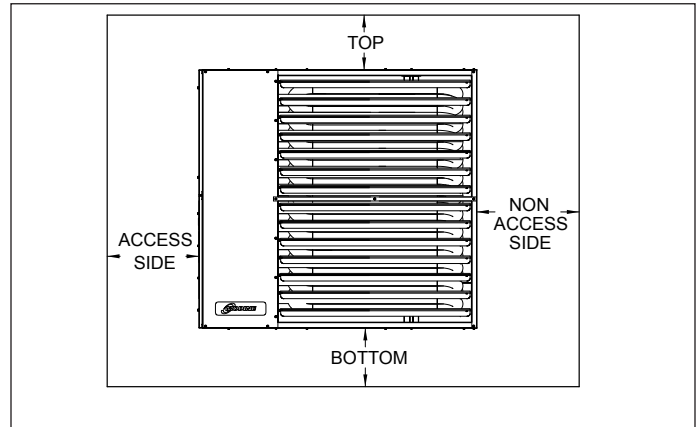


Table 4.1 - Clearances

Unit Side	Clearance To Combustible Materials	Recommended Service Clearance
Top and Bottom	6"	18"
Access Side	6"	18"
Non-Access Side	6"	18"
Rear	18"	18"
Vent Connector	6"	18"

- Do not install units in locations where gas ignition system is exposed to water spray, rain, or dripping water.
- Mounting height (measured from bottom of unit) at which unit heaters are installed is critical. Refer to mounting height and heat throw data on page 16 of this manual. The maximum mounting height for any unit is that height above which the unit will not deliver heated air to the floor.

Combustion Air Requirements

The National Fuel Gas Code defines an "unconfined space" as a space whose volume is greater than 50 cubic feet per 1,000 Btu/Hr input of the installed appliance(s). A confined space is 50 cubic feet or less per 1,000 Btu/Hr input of the installed appliance(s).

Units installed in tightly sealed buildings or confined spaces must be provided with 2 permanent openings - 1 near the top and 1 near the bottom of the confined space. Each opening should have a free area of not less than one square inch per 1,000 Btu/Hr of the total input rating of all units in the confined space, freely communicating with interior areas that have adequate infiltration from the outside.

For further details on supplying combustion air to a confined (tightly sealed) space or unconfined space, see the National Fuel Gas Code ANSI Z223.1 (NFPA 54) or CSA-B149.1 Installation Code - latest edition.

Sound and Vibration Levels

All standard mechanical equipment generates some sound and vibration that may require attenuation. Libraries, private offices and hospital facilities will require more attenuation, and in such cases, an acoustical consultant may be retained to assist in the application. Locating the equipment away from the critical area is desirable within ducting limitations. Generally, a unit should be located within 15' of a primary support beam. Smaller deflections typically result in reduced vibration and noise transmission.

UNIT MOUNTING

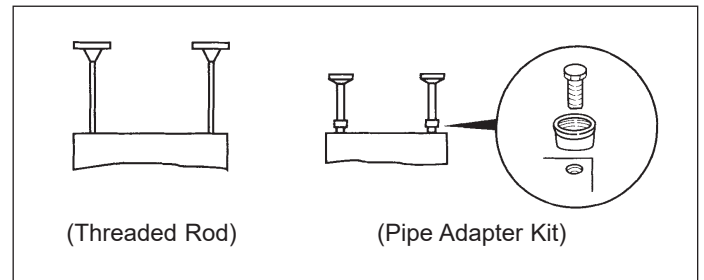
CAUTION

1. Do not install units below 7' measured from the bottom of the unit to the floor in commercial applications (unless unit is properly guarded to provide user protection from moving parts).
2. Be sure no obstructions block air intake and discharge of unit heaters.
3. The minimum distance from combustible material is based on the combustible material surface not exceeding 160°F. Clearance from the top of the unit may be required to be greater than the minimum specified if heat damage, other than fire, may occur to materials above the unit heater at the temperature described.
4. Allow 18" clearance at rear (or 12" beyond end of motor at rear of unit, whichever is greater) and access side to provide ample air for proper operation of fan.

1. Be sure the means of suspension is adequate to support the weight of the unit (see page 18 for unit weights).
2. For proper operation, the unit must be installed in a level horizontal position.
3. Clearances to combustibles as specified in Table 4.1 must be strictly maintained.
4. All standard units are shipped fully boxed. Larger units are also supplied with skid supports on the bottom of the box. The larger units may be lifted from the bottom by means of a fork lift or other lifting device only if the shipping support skids are left in place and the forks support the whole depth of the unit. If the unit must be lifted from the bottom for final installation without the carton in place, be sure to properly support the unit over its entire length and width to prevent damage. When lifting units, make sure the load is balanced.
5. Propeller models have 4 mounting holes. The units can be mounted with 3/8"-16 threaded rod as follows:
 - On each piece of threaded rod used, screw a nut a distance of about 1" onto the end of the threaded rods that will be screwed into the unit heater.
 - Place a washer over the end of the threaded rod and screw the threaded rod into the unit heater weld nuts on the top of the heater at least 5 turns, and no more than 10 turns. Tighten the nut first installed onto the threaded rod to prevent the rod from turning.
 - Drill holes into a steel channel or angle iron at the same center-line dimensions as the heater that is being installed. The steel channels or angle iron pieces need to span and be fastened to appropriate structural members.
 - Cut the threaded rods to the preferred length, place them through the holes in the steel channel or angle iron and secure with washers and lock nuts or lock washers and nuts. A double nut arrangement can be used here instead of at the unit heater (a double nut can be used both places but is not required).
 - Do not install standard unit heaters above the maximum mounting height shown in Table 22.1 and 22.2

NOTE: A pipe hanger adapter kit, shown in Figure 5.1 is available as an accessory. One kit consists of drilled 3/4" IPS pipe caps and 3/8"-16 x 1-1/2" capscrews to facilitate threaded pipe suspension.

Figure 5.1 - Unit Heater Suspension Methods



INSTALLATION - VENTING

⚠ WARNING

1. Gas fired heating equipment must be vented - do not operate unvented.
2. A built-in power exhauster is provided - additional external power exhausters are not required or permitted.
3. If an existing heater is being replaced, it may be necessary to resize the venting systems. Improperly sized venting systems can result in vent gas leakage or the formation of condensate. Refer to the National Fuel Gas Code ANSI Z223.1 (NFPA 54) or CSA B149.1 - latest edition. Failure to follow these instructions can result in serious injury or death.
4. Under no circumstances should 2 sections of double wall vent pipe be joined together within 1 horizontal vent system due to the inability to verify complete seal of inner pipes.

⚠ CAUTION

Installation must conform with local building codes or in the absence of local codes, with Part 7, Venting of Equipment, of the National Fuel Gas Code, ANSI Z223.1 (NFPA 54) - latest edition. In Canada installation must be in accordance with CSA B149.1.

Model PTP and BTP unit heaters must be vented with the proper passageway as described in these instructions to convey flue gases from the unit or the vent connector to the outside atmosphere.

The venting instructions are organized in sections, based on installation type. The sections are identified as follows:

Instructions	Applicable Installation Instructions by Vent System Type
A	General Instructions for ALL Installations
B	VERTICAL CATEGORY I vent systems ①
C	HORIZONTAL CATEGORY III vent systems ①

① The differences between Vertical and Horizontal vent systems will be identified in "Section A - General Instructions - All Units".

Section A - General Instructions - All Units

- A1. If the unit heater being installed is replacing existing equipment and using the existing vent system from that equipment, inspect the venting system for proper size and horizontal pitch, as required in the National Fuel Gas Code, ANSI Z223.1 (NFPA 54) or CSA B149.1 Installation Code - latest edition and these instructions. Determine that there is no blockage or restriction, leakage, corrosion and other deficiencies, which could cause an unsafe condition.
- A2. The vent pipe should be galvanized steel or other suitable corrosion-resistant material. Follow the National Fuel Gas Code for minimum thickness of vent material. The minimum thickness for connectors varies depending on the pipe diameter. Do not vent unit with PVC or other forms of plastic venting material.
- A3. All heaters come with a factory installed vent adapter for attaching the vent pipe to the heater (see Table 6.1). Attach the vent pipe to the adapter with 3-corrosion resistant screws. (Drill pilot holes through the vent pipe and adapter prior to screwing in place). Vent pipe must not be smaller than the connector size.

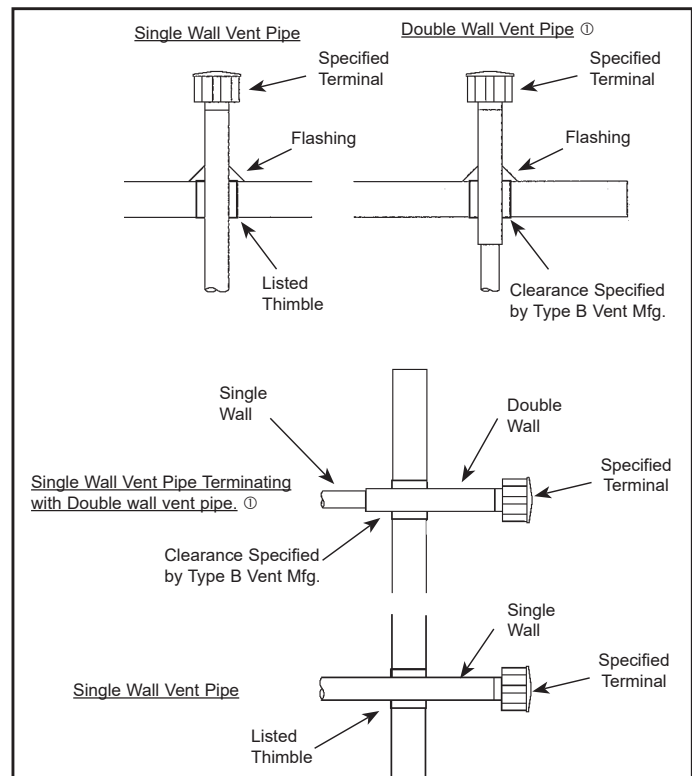
- A4. Refer to Table 6.1 for total minimum and maximum vent lengths, making the system as straight as possible. The equivalent length of a 90° elbow is 5 feet for 4 inch diameter and 7 feet for 6 inch diameter.

Table 6.1 - Vent Pipe Diameters, Transitions, and Total Equivalent Vent Pipe Lengths for Horizontal Venting Systems

Model Size	Vent Pipe Diameter	Equivalent Vent Length	
		Minimum	Maximum
150	4"	3'	50'
175-200	4"	3'	70'
250-400	6"	3'	70'

- A5. Horizontal sections of vent pipe are to be installed with an upward or downward slope from the appliance of 1/4 inch per foot and suspended securely from overhead structures at points not greater than 3' apart.
- A6. Fasten individual lengths of vent together with at least 3 corrosion-resistant sheet metal screws.
- A7. Keep single wall vent pipe at least 6" from combustible materials. For double wall vent pipe, follow the vent pipe manufacturer's clearances to combustibles. The minimum distance from combustible materials is based on the combustible material surface not exceeding 160°F. Clearance from the vent pipe (or the top of the unit) may be required to be greater than 6" if heat damage other than fire could result (such as material distortion or discoloration).
- A8. Avoid venting through unheated space when possible. When venting does pass through an unheated space or if the unit is installed in an environment that promotes condensation, insulate runs greater than 5' to minimize condensation. Inspect for leakage prior to insulating and use insulation that is noncombustible with a rating of not less than 400°F. Install a tee fitting at the low point of the vent system and provide a drip leg with a clean out cap as shown in Figure 9.1.

Figure 6.1 - Venting Through Combustible Roof or Wall



① See Instruction A12 for attaching single wall pipe to double wall pipe

INSTALLATION - VENTING

- A9. When the vent passes through a combustible INTERIOR wall or floor, a metal thimble 4" greater than the vent diameter is necessary. If there is 6' or more of vent pipe in the open space between the appliance and where the vent pipe passes through the wall or floor, the thimble need only be 2" greater than the diameter of the vent pipe. If a thimble is not used, all combustible material must be cut away to provide 6" of clearance. Where authorities have jurisdiction, Type B vent may be used for the last section of vent pipe to maintain clearance to combustibles while passing through wall or floor (see Figure 6.1). Any material used to close the opening must be noncombustible.
- A10. All seams and joints of the single wall pipe must be sealed with metallic tape or silastic suitable for temperatures up to 400°F. Wrap the tape 2 full turns around the vent pipe. One continuous section of double wall vent pipe may be used within the vent system to pass through the wall to a listed vent cap. Refer to instruction A11 in "Section A – General Instructions – All Units" for attaching double wall pipe to single wall pipe.

- A11. The following are General Instructions for Double Wall (Type B) Terminal Pipe Installation:

How to attach a single wall vent terminal to double wall (Type B) vent pipe:

1. Look for the "flow" arrow on the vent pipe.
2. Slide the vent terminal inside the exhaust end of the double wall vent pipe.
3. Drill 3 holes through the pipe and the vent terminal. Using 3/4" long sheet metal screws, attach the cap to the pipe. Do not overtighten.

How to connect a single wall vent system to a double wall (Type B) vent pipe:

1. Slide the single wall pipe inside the inner wall of the double wall pipe.
2. Drill 3 holes through both walls of the single and double wall vent pipes. Using 3/4" sheet metal screws, attach the 2 pieces of pipe. Do not overtighten.
3. The gap between the single and double wall pipe must be sealed but it is not necessary to fill the full volume of the annular area. To seal, run a large bead of 400°F silastic around the gap.

- A12. Vent termination clearances must be maintained:

Table 7.1 - Vent Termination Clearances

Vent Shall Terminate:	Structure	Reference Standard
3 feet above	Forced air inlet within 10' (US)	NFPA 54
6 feet in all directions	Forced air inlet (Canada)	CSA B149.1
3 feet in all directions	Combustion Air inlet of another appliance	CSA B149.1
4 feet below, 4 feet horizontal, or 1 foot above	Door window, gravity air inlet, or any building opening (US)	NFPA 54
3 feet in all directions	Door window, gravity air inlet, or any building opening (Canada)	CSA B149.1
3 feet horizontal ①	Electric meter, gas meter, gas regulator, and relief equipment	CSA B149.1
2 feet in all directions	Adjacent building, adjoining building, or parapet wall	Modine
7 feet in all directions	Adjacent public walkways	NFPA 54/CSA B149.1
1 foot above	Grade (ground level)	NFPA 54/CSA B149.1
1 foot below or 1 foot beyond	Eave with 24" overhang or less	Modine
3 feet below or 1 foot beyond	Eave with greater than 24" overhang	Modine

① Do not terminate the vent directly above a gas meter or regulator. Recommendations based on CSA B149.1 and NFPA 54. Venting must conform with applicable current revision of local and national installation codes.

INSTALLATION - VENTING

- A13. Do NOT vent this appliance into a masonry chimney.
- A14. Do NOT use dampers or other devices in the vent or combustion air pipes.
- A15. The venting system must be exclusive to a single appliance and no other appliance is allowed to be vented into it.
- A16. Precautions must be taken to prevent degradation of building materials by flue products.
- A17. Single wall vent pipe must not pass through any unoccupied attic, inside wall, concealed space, or floor.
- A18. Uninsulated single wall vent pipe must not be used outdoors for venting appliances in regions where the 99% winter design temperature is below 32°F.
- A19. The vent terminal must be:

Table 8.1 - Vent Terminals

Model Size	Modine PN
150-200	5H0722850001
250-400	5H0722850002

A20. In addition to following these general Instructions, specific instructions for Vertical Category I or Horizontal Category III vent systems must also be followed. The following outlines the differences:

Table 8.2 - ANSI Unit Heater Venting Requirements

Category	Description	Venting Requirements
I	Negative vent pressure Non-condensing	Follow standard venting requirements.
II	Negative vent pressure Condensing	Condensate must be drained.
III	Positive vent pressure Non-condensing	Vent must be gas tight.
IV	Positive vent pressure Condensing	Vent must be liquid and gas tight. Condensate must be drained.

Note: Vent connectors serving Category I appliances shall not be connected into any portion of mechanical draft systems operating under positive pressure.

Vertical Category I Vent

- Vertical vent systems terminate vertically (up) (an example is shown in Figure 9.1).
- The horizontal portion of the vent run cannot exceed 75% of the vertical rise (Example: If the vent height is 10', the horizontal portion of the vent system cannot exceed 7.5').
- The vent terminates a minimum of 5' above the vent connector on the unit.
- If the vent system to be installed meets ALL these criteria (an example is shown in Figure 9.1), proceed to "Section B - Vertical Vent System Installation". For all other cases, proceed to the next section for Horizontal Category III Vent System Determination:

Horizontal Category III Vent

- Horizontal vent systems terminate horizontally (sideways) (an example is shown in Figure 10.2).
- A vent system that terminates vertically but has a horizontal run that exceeds 75% of the vertical rise is considered horizontal.
- Horizontal vent configurations are Category III. Additional requirements are covered in "Section C - Horizontal Category III Vent System Installation".

INSTALLATION - VENTING

Section B – Vertical Vent System Installation

- B1. This section applies to vertically vented Category I vent systems and is in addition to “Section A – General Instructions – All Units”.
- B2. Vertical vent systems terminate vertically, and must be sized in accordance with the National Fuel Gas Code, ANSI Z223.1 (NFPA 54) - latest edition.
- B3. The horizontal portion of the vent run cannot exceed 75% of the vertical rise (Example: If the vent height is 10', the horizontal portion of the vent system cannot exceed 7.5').
- B4. It is recommended to install a tee with drip leg and clean out cap as shown in Figure 9.1.
- B5. The vent terminates a minimum of 5' above the vent connector on the unit.
- B6. All vertically vented heaters that are Category I must be connected to a vent complying with a recognized standard, with a material acceptable to the authority having jurisdiction. Venting into a masonry chimney is not permitted. Refer to the National Fuel Gas Code, ANSI Z223.1 (NFPA 54) - latest edition for instructions on common venting.
- B7. Use a listed vent terminal to reduce down drafts and moisture in the vent.
- B8. Double wall vent pipe is recommended, although single wall can be used if the requirements of the National Fuel Gas Code are followed.
- B9. Vertical vents must terminate a minimum horizontal and vertical distance from roof lines and adjacent walls or obstructions. These minimum distances are outlined as follows (based on National Fuel Gas Code requirements for vents with diameters less than 12"):
 - For **double wall** vent pipe and **8' or greater** horizontal distance to any vertical wall or similar obstruction, the vent must terminate above the roof in accordance with Figure 9.1 and Table 9.1.
 - For **double wall** vent pipe and **less than 8'** horizontal distance to any vertical wall or similar obstruction, the vent must terminate at least 2' above the highest point where it passes through a roof of a building and at least 2' higher than any portion of a building within a horizontal distance of 10' (see Figure 9.1).

Figure 9.1 - Vertical Category I Vent System

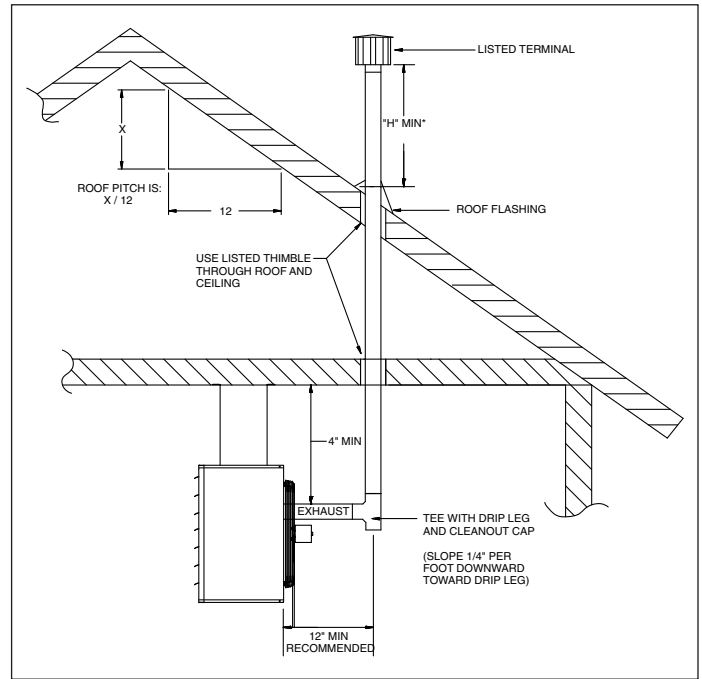


Table 9.1 - Minimum Height from Roof to Lowest Discharge Opening

Rise X (in)	Roof Pitch	Min Height H (ft) ①
0-6	Flat to 6/12	1.00
6-7	6/12 to 7/12	1.25
7-8	7/12 to 8/12	1.50
8-9	8/12 to 9/12	2.00
9-10	9/12 to 10/12	2.50
10-11	10/12 to 11/12	3.25
11-12	11/12 to 12/12	4.00
12-14	12/12 to 14/12	5.00
14-16	14/12 to 16/12	6.00
16-18	16/12 to 18/12	7.00
18-20	18/12 to 20/12	7.50
20-21	20/12 to 21/12	8.00

① Size according to expected snow depth.

- For **single wall** vent pipe and 10' or greater horizontal distance to any portion of a building, the vent must terminate at least 2' above the highest point where it passes through a roof of a building and at least 2' higher than any portion of a building within a horizontal distance of 10'.
- For **single wall** vent pipe and less than 10' horizontal distance to any portion of a building, the vent must terminate at least 2' higher than any portion of that building.

INSTALLATION - VENTING

Section C – Horizontal, Category III Vent System Installation

- C1. This section applies to horizontally vented Category III vent systems and is in addition to "Section A – General Instructions – All Units".
- C2. Horizontal vent systems terminate horizontally (sideways).
- C3. Seal all seams and joints of un-gasketed single wall pipe with metal tape or Silastic suitable for temperatures up to 400°F. Wrap the tape 2 full turns around the vent pipe. For single wall vent systems, 1 continuous section of double wall vent pipe may be used within the vent system to pass through the wall to a listed vent cap. Under no circumstances should 2 sections of double wall vent pipe be joined together within 1 horizontal vent system due to the inability to verify complete seal of inner pipes. Category III vent systems listed by a nationally recognized agency and matching the diameters specified may be used. Different brands of vent pipe materials may not be intermixed. Refer to instruction A10 in "Section A – General Instructions – All Units" for attaching double wall pipe to single wall pipe.
- C4. All horizontal Category III vents must be terminated with a listed vent cap. The cap must terminate a minimum distance of 12" beyond the exterior wall surface as shown in Figure 10.2. The vent must be supported as shown in Figure 10.1. Precautions must be taken to prevent degradation of building materials by flue products.

Figure 10.1 - Exhaust Vent Construction Through Combustible Walls and Support Bracket

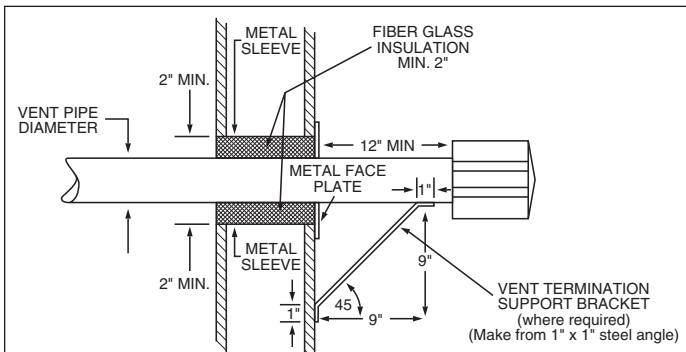
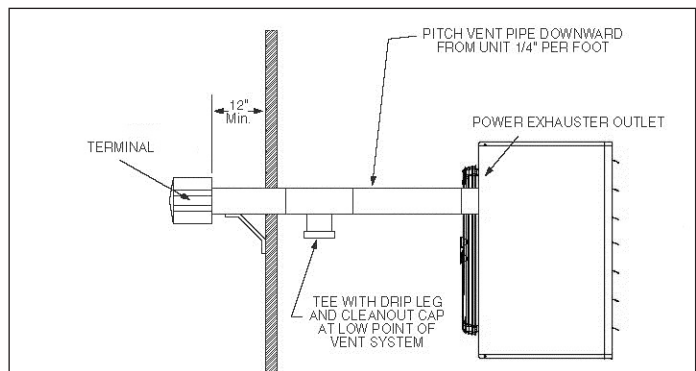


Figure 10.2 - Horizontal Venting



- C8. For a vent termination located under an eave, the distance of the overhang must not exceed 24". The clearance to combustibles above the exterior vent must be maintained at a minimum of 12". Consult the National Fuel Gas Code for additional requirements for eaves that have ventilation openings.
- C9. Once venting is complete, proceed to the section titled "Installation – Gas Connections".

- C5. When condensation may be a problem, the vent system shall not terminate over public walkways or over an area where condensate or vapor could create a nuisance or hazard or could be detrimental to the operation of regulators, relief openings, or other equipment.
- C6. The venting system must be exclusive to a single unit, and no other unit is allowed to be vented into it.
- C7. When vented horizontally, maintain a 1/4" per foot rise away from the heater and place a drip leg with clean out near the unit as shown in Figure 10.2. Where local authorities have jurisdiction, a 1/4" per foot downward slope is acceptable with a drip leg and clean out near the exit of the vent as shown in Figure 10.2, or allow the condensate to drip out the end.

INSTALLATION - GAS CONNECTIONS

GAS CONNECTIONS

⚠ WARNING

1. All field gas piping must be pressure/leak tested prior to operation. Never use an open flame. Use a soap solution or equivalent for testing.
2. Gas pressure to appliance controls must never exceed 14" W.C. (1/2 psi).
3. To reduce the opportunity for condensation, the minimum sea level input to the appliance, as indicated on the serial plate, must not be less than 5% below the rated input, or 5% below the minimum rated input of dual rated units.

⚠ CAUTION

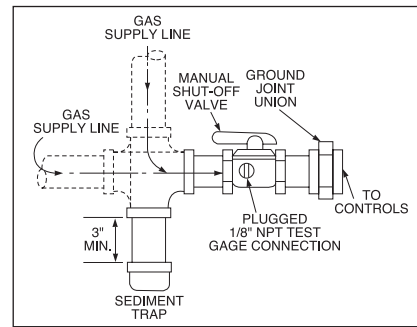
1. Purging of air from gas lines should be performed as described in the National Fuel Gas Code, ANSI Z223.1 (NFPA 54) - latest edition or in Canada CSA-B149 codes.
2. When leak testing the gas supply piping system, the appliance and its combination gas control must be isolated during any pressure testing in excess of 14" W.C. (1/2 psi).
3. The unit should be isolated from the gas supply piping system by closing its field installed manual shut-off valve. This manual shut-off valve should be located within 6' of the heater.
4. Turn off all gas before installing appliance.

IMPORTANT

To prevent premature heat exchanger failure, the input to the appliance, as indicated on the serial plate, must not exceed the rated input by more than 5%.

1. Installation of piping must conform with local building codes, or in the absence of local codes, with the National Fuel Gas Code, ANSI Z223.1 (NFPA 54) - latest Edition. In Canada, installation must be in accordance with CSA-B149.1.
2. Piping to units should conform with local and national requirements for type and volume of gas handled, and pressure drop allowed in the line. Refer to Table 11.1 to determine the cubic feet per hour (CFH) for the type of gas and size of unit to be installed. Using this CFH value and the length of pipe necessary, determine the pipe diameter from Table 11.2. Where several units are served by the same main, the total capacity, CFH and length of main must be considered. Avoid pipe sizes smaller than 1/2". Table 10.2 allows for a 0.3" W.C. pressure drop in the supply pressure from the building main to the unit. The inlet pressure to the unit must be 6-7" W.C. for natural gas and 11-14" W.C. for propane gas. When sizing the inlet gas pipe diameter, make sure that the unit supply pressure can be met after the 0.3" W.C. has been subtracted. If the 0.3" W.C. pressure drop is too high, refer to the Gas Engineer's Handbook for other gas pipe capacities.
3. Install a ground joint union with brass seat and a manual shut-off valve adjacent to the unit for emergency shut-off and easy servicing of controls, including a 1/8" NPT plugged tapping accessible for test gauge connection (see Figure 11.1).
4. Use two wrenches when connecting field piping to units.
5. Provide a sediment trap before each unit in the line where low spots cannot be avoided (see Figure 11.1).
6. When Pressure/Leak testing, pressures above 14" W.C. (1/2 psi), close the field installed shut-off valve, disconnect the appliance and its combination gas control from the gas supply line, and plug the supply line before testing. When testing pressures 14" W.C. (1/2 psi) or below, close the manual shut-off valve on the appliance before testing.

Figure 11.1 - Recommended Sediment Trap/Manual Shut-off Valve Installation - Side or Bottom Gas Connection ①



① Manual shut-off valve is in the "OFF" position when handle is perpendicular to pipe.

Table 11.1 - Sea Level Manifold Pressure & Gas Consumption

Model Size	Manifold Pressure ("W.C.):	Natural	Propane	# of Orifices
		3.5	10	
150	CFH	142.9	60.0	6
	Gal/Hr.Propane	n/a	1.6	
	Orifice Drill Size	42	53	
175	CFH	166.7	70.0	7
	Gal/Hr.Propane	n/a	1.9	
	Orifice Drill Size	42	53	
200	CFH	190.5	80.0	7
	Gal/Hr.Propane	n/a	2.2	
	Orifice Drill Size	38	52	
250	CFH	238.1	100.0	9
	Gal/Hr.Propane	n/a	2.7	
	Orifice Drill Size	39	1.55mm	
300	CFH	285.7	120.0	9
	Gal/Hr.Propane	n/a	3.3	
	Orifice Drill Size	36	51	
350	CFH	333.3	140.0	12
	Gal/Hr.Propane	n/a	3.8	
	Orifice Drill Size	38	52	
400	CFH	381.0	160.0	12
	Gal/Hr.Propane	n/a	4.4	
	Orifice Drill Size	36	51	

Table 11.2 - Gas Pipe Capacities - Natural Gas ① ②

Pipe Length (ft)	Natural Gas					
	1/2"	3/4"	1"	1-1/4"	1-1/2"	2"
10	132	278	520	1050	1600	3050
20	92	190	350	730	1100	2100
30	73	152	285	590	890	1650
40	63	130	245	500	760	1450
50	56	115	215	440	670	1270
60	50	105	195	400	610	1150
70	46	96	180	370	560	1050
80	43	90	170	350	530	930
100	38	79	150	305	460	870
125	34	72	130	275	410	780
150	31	64	120	250	380	710

- ① Capacities in Cubic Feet per Hour through Schedule 40 pipe with maximum 0.3" W.C. pressure drop with up to 14" W.C. gas pressure. Specific gravity is 0.60 for Natural gas and 1.50 for Propane gas.
- ② For Pipe Capacity with Propane Gas, divide Natural gas capacity by 1.6. Example: What is the Propane gas pipe capacity for 60 feet of 1-1/4" pipe? The Natural gas capacity is 400 CFH. Divide by 1.6 to get 250 CFH for Propane gas.

INSTALLATION - HIGH ALTITUDE ACCESSORY KIT

HIGH ALTITUDE ACCESSORY KIT

Modine's gas-fired equipment standard input ratings are certified by ETL. For elevations above 2,000', ANSI Z223.1 requires ratings be reduced 4 percent for each 1,000' above sea level. For units in Canada, CSA requires that ratings be reduced 10 percent at elevations above 2,000'. The high altitude adjustment instructions and pressure switch kits listed in this manual are for use with units that will be installed over 2,000'. These methods and kits comply with both ANSI Z223.1 and CSA requirements.

If a unit is to be installed at higher elevations AND converted from natural gas to propane gas operation, a propane conversion kit must be used in conjunction with the pressure adjustment methods and pressure switch kits listed herein. For the selection and installation instructions for propane conversion kits, please see the latest revision of Modine Manual 75-515.

Selection of the Proper Pressure and Kit

To determine the proper manifold pressure at altitude and if required, the proper combustion air pressure switch kit, the full model number of the heater, the fuel to be used, and the altitude the unit will be installed at must be known. Refer to the unit serial plate or carton label to obtain the necessary information about the unit.

After obtaining this information, refer to the gas pressure and selection charts shown in Tables 12.1 through 13.1. The pressure charts are differentiated by elevation, fuel type, and country the product is being installed in. The selection charts are differentiated by product type, altitude and fuel type. **If converting from natural gas to propane gas and operation at high altitude, both a propane conversion kit and a pressure switch kit must be used (if applicable).** Selection charts include the proper kit suffix, when required.

Table 12.1 - Natural Gas Heating Values at Altitude ①③④

Altitude (ft)	Gas Heating Values at Altitude (BTU/ft ³)	
	USA	Canada
0-2,000	1,050	1,050
2,001-3,000	929	945
3,001-4,000	892	
4,001-4,500	874	
4,501-5,000	856	856
5,001-6,000	822	822
6,001-7,000	789	789
7,001-8,000	757	757
8,001-9,000	727	727
9,001-10,000	698	698
10,001-11,000	670	670
11,001-12,000	643	643
12,001-13,000	618	618
13,001-14,000	593	593

① Values shown are for 3.5" W.C. manifold pressure, for other BTU content values (available from local utility) use Equation 13.1 to calculate manifold pressure.

② Values shown are for 10.0" W.C. manifold pressure, for other BTU content values (available from local utility) use Equation 13.1 to calculate manifold pressure.

③ When installed at altitudes above 2,000', a pressure switch may need to be changed. Refer to Table 13.1 to determine if a switch change is required.

④ Gas heating values are derated 4% per 1,000' of elevation in the USA and 10% between 2,000' and 4,500' elevation in Canada in accordance with ANSI Z223.1 and CSA-B149, respectively.

Manifold Pressure Adjustment

The inlet pressure to the unit must be confirmed to be within acceptable limits (6-7" W.C. for natural gas and 11-14" W.C. for propane gas) before opening the shutoff valve or the combination gas valve may be damaged.

Heaters for use with **natural gas** have gas valves that need to be feild set at 3.5" W.C. manifold pressure at 7.0" W.C. inlet pressure.

Units for use with **propane gas** need to be feild set for 10.0" W.C. manifold pressure at 14.0" W.C. inlet pressure.

Installation above 2,000' elevation requires adjustment of the manifold pressure as described.

Derated BTU Content Gas and Manifold Pressure Calculation

Some utility companies may derate the BTU content (heating value) of the gas provided at altitude to a value other than 1,050 BTU/ft³ for natural gas or 2,500 BTU/ft³ for propane gas to allow certain heating appliances to be used with no manifold pressure adjustments. For this reason it is necessary that the supplying utility be contacted for detailed information about the gas type and BTU content (heating value) before operating any heater. Tables 12.1 and 12.2 show the standard derated heating values (4% per 1,000' of elevation in the USA and 10% between 2,001' and 4,500' elevation in Canada) of natural and propane gases at various altitudes. If the utility is supplying gas with heating values as shown in Tables 12.1 and 12.2, the manifold pressure should be set to 3.5" W.C for natural gas and 10.0" W.C. for propane gas.

NOTE: Only the high fire gas pressure need be adjusted, low fire gas pressure should remain the same.

Table 12.2 - Propane Gas Heating Values at Altitude ②③④

Altitude (ft)	Gas Heating Values at Altitude (BTU/ft ³)	
	USA	Canada
0-2,000	2,500	2,500
2,001-3,000	2,212	2,250
3,001-4,000	2,123	
4,001-4,500	2,080	
4,501-5,000	2,038	2,038
5,001-6,000	1,957	1,957
6,001-7,000	1,879	1,879
7,001-8,000	1,803	1,803
8,001-9,000	1,731	1,731
9,001-10,000	1,662	1,662
10,001-11,000	1,596	1,596
11,001-12,000	1,532	1,532
12,001-13,000	1,471	1,471
13,001-14,000	1,412	1,412

INSTALLATION - HIGH ALTITUDE ACCESSORY KIT

If the heating value of the gas being supplied is different than the values shown in Tables 12.1 and 12.2, use the following equation to determine the appropriate manifold pressure for the altitude and gas heating value being supplied.

Equation 13.1 - Manifold Pressure for Derated Gas

$$MP_{ACT} = \left(\frac{BTU_{TBL}}{BTU_{ACT}} \right)^2 \times MP_{SL}$$

WHERE:

- MP_{ACT}** = Manifold Pressure (in. W.C.) at Altitude –
Manifold pressure setting for the heater being installed
- BTU_{TBL}** = BTU/ft³ Content of Gas –
Obtained from Tables 11.1 or 11.2 (whichever is applicable)
- BTU_{ACT}** = BTU/ft³ Content of Gas –
Obtained from the local utility company
- MP_{SL}** = Manifold Pressure (in. W.C.), at Sea Level –
Use 3.5" W.C. for Natural Gas and 10.0" W.C. for propane gas

NOTE: Only the primary manifold pressure should be adjusted on units equipped with two-stage or modulating gas controls. No adjustments to the low fire manifold pressure are necessary on these units.

Table 13.1 - High Altitude Kits for PTP and BTP^①

US and Canada Altitude (ft)	Model Size						
	150	175	200	250	300	350	400
	Item Code	Item Code	Item Code	Item Code	Item Code	Item Code	Item Code
0-2,000	not required	not required	not required	not required	not required	not required	not required
2,001-4,500	67248	67248	67248	67248	67248	67248	68413
4,501-5,500	67248	67248	67248	67248	67248	67248	68413
5,501-6,500	67248	67248	67248	67248	68412	67248	68413
6,501-7,500	67248	67248	67248	67248	68412	67248	68413
7,501-8,500	68411	67248	67248	67248	68412	77787	N/A
8,501-9,500	68411	67248	55941	77785	68412	77787	N/A
9,501-10,000	68411	67248	55941	77785	68412	77787	N/A
10,001-11,000	68411	67248	55941	77785	68412	77787	N/A
11,001-12,000	68411	68411	55941	77785	55949	77787	N/A
12,001-13,000	68411	68411	55941	77785	55949	77787	N/A
13,001-14,000	68411	68411	55941	77785	55949	77787	N/A

^① For Label Only(67248) kits, Modine part number 5H0807146005 is required to be filled out and attached to the unit by the installer. Please contact the local Modine representative at 1.866.828.4328 (HEAT).

INSTALLATION - ELECTRICAL CONNECTIONS

ELECTRICAL CONNECTIONS

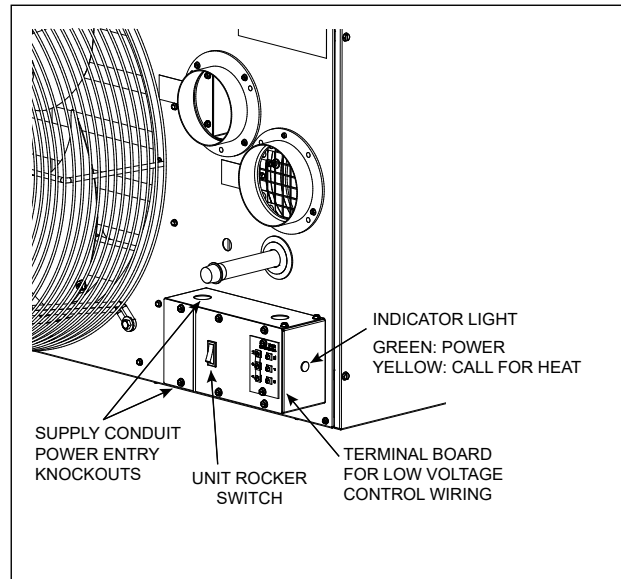
⚠ WARNING

1. Disconnect power supply before making wiring connections to prevent electrical shock and equipment damage.
2. All appliances must be wired strictly in accordance with wiring diagram furnished with the appliance. Any wiring different from the wiring diagram could result in a hazard to persons and property.
3. Any original factory wiring that requires replacement must be replaced with wiring material having a temperature rating of at least 105°C.
4. Ensure that the supply voltage to the appliance, as indicated on the serial plate, is not 5% greater than rated voltage.

⚠ CAUTION

Ensure that the supply voltage to the appliance, as indicated on the serial plate, is not 5% less than the rated voltage.

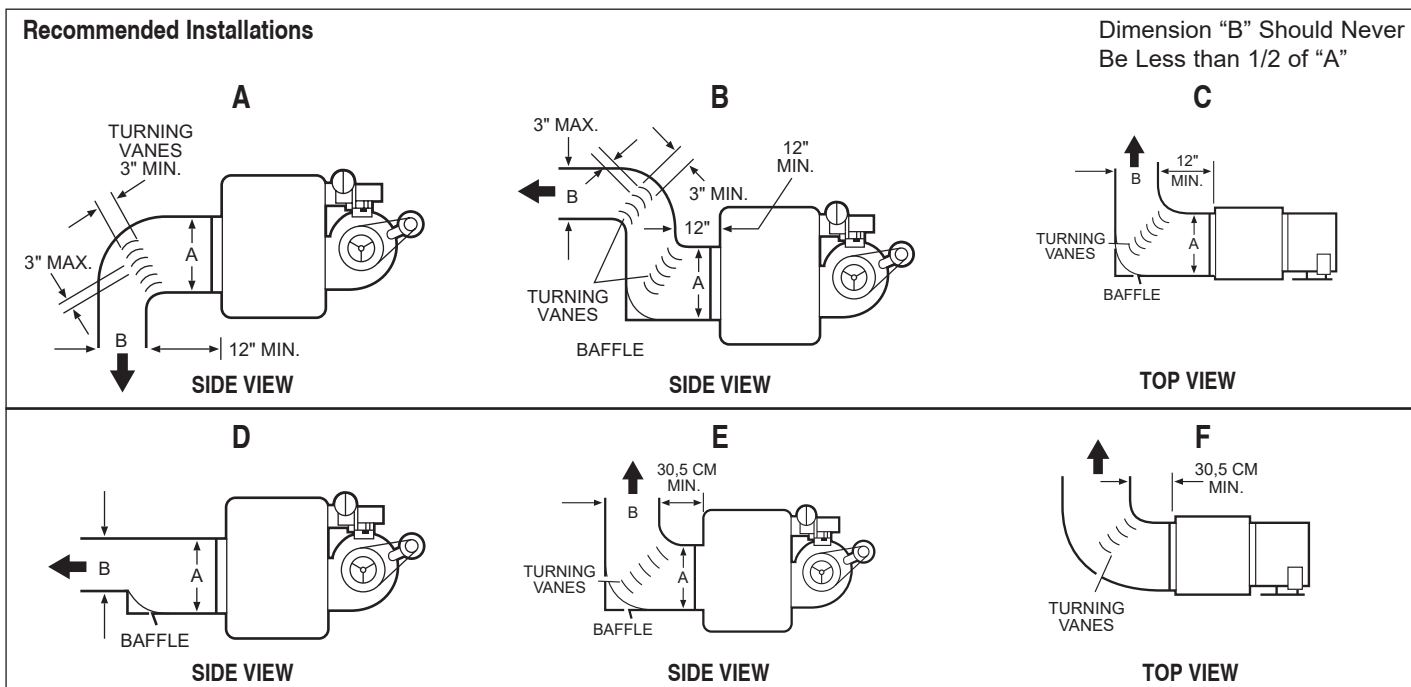
Figure 14.1 - Contractor Convenience Box with Rocker Switch



1. Installation of wiring must conform with local building codes, or in the absence of local codes, with the National Electric Code ANSI/NFPA 70 - Latest Edition. Unit must be electrically grounded in conformance to this code. In Canada, wiring must comply with CSA C22.1, Part 1, Electrical Code.
 2. Two copies of the unit wiring diagram are provided with each unit. One is located in the side access control compartment and the other is supplied in the literature packet. Refer to this diagram for all wiring connections.
 3. Make sure all multi-voltage components (motors, transformers, etc.) are wired in accordance with the power supply voltage.
 4. The power supply to the unit must be protected with a fused or circuit breaker switch.
 5. The power supply must be within 5 percent of the voltage rating and each phase must be balanced within 2 percent of each other. If not, advise the utility company.
 6. External electrical service connections that must be installed include:
 - a. Supply power connection (115, 208, 230, 460, or 575 volts).
 - b. Connection of thermostats, or any other accessory control devices that may be supplied (24 volts).
- NOTE:** All units with supply voltage 208V and greater must use a field installed step-down transformer, available as a separate accessory.
7. Refer to Figure 14.1 for the contractor convenience box wiring entry location.
 8. All supply power electrical connections are made in the contractor convenience box compartment of the unit. The low voltage (thermostat and accessory control devices) can be wired to the terminals on the contractor convenience box.
 9. Power Vented models include a factory installed on/off switch. The function of this switch is to disconnect power to the unit for maintenance or to shut the unit off in warm weather. Switch is rated at 15 amps at 125 volts or up to 3/4 HP at 125 volts.

INSTALLATION WITH DUCTWORK

Figure 15.1- Typical Duct & Airflow Installation



IMPORTANT

Do not attempt to attach ductwork of any kind to propeller models.

When installing the heater, always follow good duct design practices for even distribution of the air across the heat exchanger. Recommended layouts are shown in Figure 15.1. When installing blower units with ductwork the following must be done.

1. Provide uniform air distribution over the heat exchanger. Use turning vanes where required (see Figure 15.1).
2. Provide removable access panels in the ductwork on the downstream side of the unit heater. These openings should be large enough to view smoke or reflect light inside the casing to indicate leaks in the heat exchanger and to check for hot spots on exchanger due to poor air distribution or lack of sufficient air.
3. If ductwork is connected to the rear of the unit use Modine blower enclosure kit or if using field designed enclosure maintain dimensions of blower enclosure as shown on page 25.

Additional Requirements for Installation of Blower Models (model BTP)

Determining Blower Speed

The drive assembly and motor on gas-fired blower unit heaters with motors 2HP and below are factory assembled. 3HP and larger motors are shipped loose to prevent shipping damage. The adjustable motor sheave has been pre-set to permit operation of this unit under average conditions of air flow and without any external static pressure. The motor sheave should be adjusted as required when the unit is to be operated at other than average air flows and/or with external static pressures. Adjustment must always be within the performance range shown on page 22 and the temperature rise range shown on the unit's rating plate.

To determine the proper blower speed and motor sheave turns open, the conditions under which the unit is to operate must be known. If the blower unit is to be used without duct work or filters, the only criteria for determining the motor sheave turns open and blower speed is the amount of air to be delivered. The performance tables for blower models are shown on pages 18 and 19. As an example, a model BTP 350 unit, operating with no external static pressure, that is, no duct work, filters, etc., and is to deliver an air volume of 6481 cfm (cfm = cubic feet of air per minute) requires that the unit be supplied with a 5 hp motor, a -207 drive, and the drive sheave must be set at 2.5 turns open to achieve a blower speed of 960 rpm (see performance table for units with or without blower enclosure, page 22). See "Blower Adjustments" on page 16 for setting of drive pulley turns open.

If a blower unit is to be used with ductwork or filters, etc., the total external static pressure under which the unit is to operate, and the required air flow must be known before the unit can be properly adjusted.

If Modine filters are used, the expected pressure loss through the filters is included in the performance data on page 17. If filters or ductwork are to be used with the unit, and they are not supplied by Modine, the design engineer or installing contractor must determine the pressure loss for the externally added devices or ductwork to arrive at the total external static pressure under which the unit is to operate.

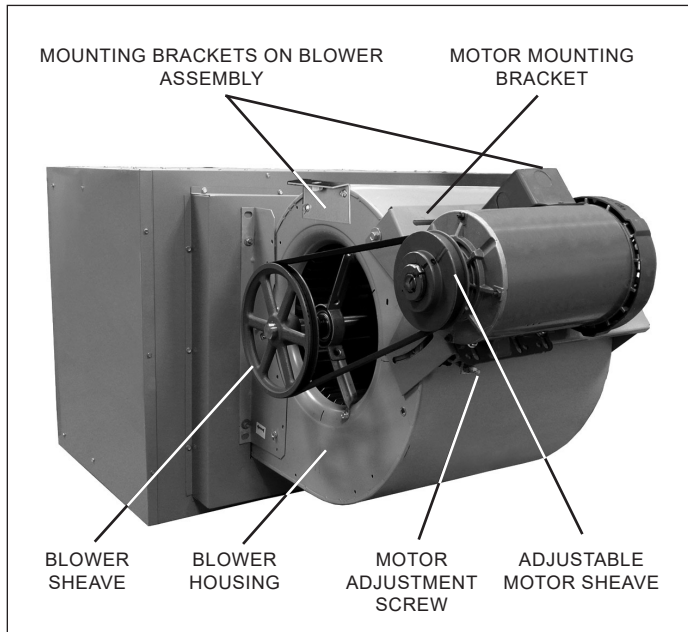
Once the total static pressure and the required air flow are known, the operating speed of the blower can be determined and the correct motor sheave adjustments made. As an example, a model BTP 350 is to be used with a Modine supplied blower enclosure and Modine supplied filters attached to ductwork. The unit is to move 6481 cfm of air flow against an external static pressure of 0.2" W.C. Also, 0.2" W.C. must be added for the filter pressure drop for a total of 0.4" W.C. total pressure drop. Entering the performance table on page 19 for a BTP 350, at 6481 cfm and 0.4" W.C. static pressure, it is seen that the unit will require a 5 hp motor using a -207 drive, and the motor sheave should be set at .5 turns open to achieve a blower speed of 1050 rpm. You can see this example differs from similar conditions in paragraph 2 by the number of turns open and a higher rpm, which is needed to overcome the added external static pressure from the filters.

INSTALLATION

To Install

1. Remove and discard the motor tie down strap and the shipping block beneath the motor adjustment screw (not used on all models.)
2. For 3 and 5 HP motors, affix sheave to the motor shaft and install motor on the motor mounting bracket. Install belt on blower and motor sheaves.

Figure 16.1 - Blower Model



3. Adjust motor adjusting screw for a belt deflection of approximately 3/4" with 5 pounds of force applied midway between the sheaves (refer to Figure 16.3). Since the belt tension will decrease dramatically after an initial run-in period, it is necessary to periodically re-check the tension. Excessive tension will cause bearing wear and noise.
4. The blower bearings are lubricated for life; however, before initial unit operation the blower shaft should be lubricated at the bearings with SAE 20 oil. This will reduce initial friction and start the plastic lubricant flowing.
5. Make electrical connections according to the wiring diagram.
6. Check rotation of the blower. Motor should be in clockwise rotation when facing motor pulley. If rotation is incorrect, correction should be made by interchanging wiring within the motor. See wiring diagram on the motor.
7. The actual current draw of the motor should be determined. Under no condition should the current draw exceed that shown on the motor rating plate.
8. It is the installer's responsibility to adjust the motor sheave to provide the specified blower performance as listed on pages 18 & 19 for blower settings different from the factory set performance. The drive number on the unit may be identified by referring to the Power Code number on the serial plate of the unit (see page 27 for model number nomenclature) and matching that number with those shown on page 17. From the listing, the drive number can be determined.

Blower Adjustments

Following electrical connections, check blower rotation to assure blow-through heating. If necessary interchange wiring to reverse blower rotation. Start fan motor and check blower sheave RPM with a hand-held or strobe-type tachometer. RPM should check out with the speeds listed in performance data shown on pages 18 and 19. A single-speed motor with an adjustable motor sheave is supplied with these units. If blower fan speed changes are required, adjust motor sheave as follows:

NOTE: Do not fire unit until blower adjustment has been made or unit may cycle on limit (overheat) control.

1. Shut-off power before making blower speed adjustments. Refer to "Determining Blower Speed" on page 16 and to "Performance Data" on pages 18 and 19 to determine proper blower RPM.
2. Loosen belt and take belt off of motor sheave.
3. Loosen set screw on outer side of adjustable motor sheave (see Figure 16.2).
4. To reduce the speed of the blower, turn outer side of motor sheave counterclockwise.
5. To increase the speed of the blower, turn outer side of motor sheave clockwise.
6. Retighten motor sheave set screw, replace belt and retighten motor base. Adjust motor adjusting screw such that there is 3/4" belt deflection when pressed with 5 pounds of force midway between the blower and motor sheaves (see Figure 16.3). Since the belt tension will decrease dramatically after an initial run-in period, it is necessary to periodically re-check the tension to assure continual proper belt adjustment.
7. Check to make certain motor sheave and blower sheave are aligned. Re-align if necessary.
8. Re-check blower speed after adjustment.
9. Check motor amps. Do not exceed amps shown on motor nameplate. Slow blower if necessary.
10. Check air temperature rise across unit. Check temperature rise against values shown in performance tables on pages 18 and 19 to assure actual desired air flow is being achieved.
11. If adjustments are required, recheck motor amps after final blower speed adjustment.

Figure 16.2 - Motor Sheave Adjustment

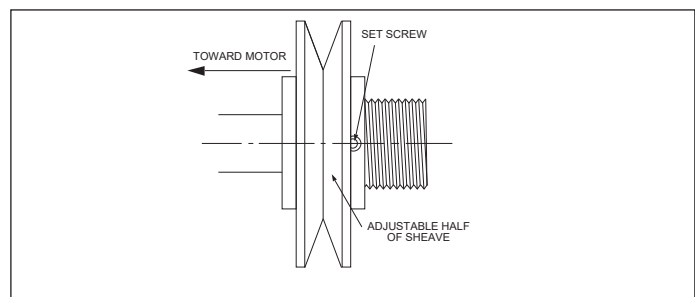
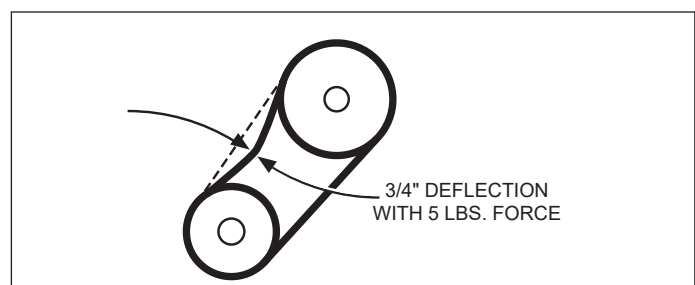


Figure 16.3 - Belt Tension Adjustment



BLOWER PERFORMANCE DATA - MODEL BTP

Table 17.1 - Power Code Description - Blower Model BTP - ①

Power Code	Voltage	Phase	BTP150		BTP175		BTP200		BTP250		BTP300		BTP350		BTP400	
			HP	Drive	HP	Drive	HP	Drive	HP	Drive	HP	Drive	HP	Drive	HP	Drive
01	115	1	1/4	230	-	-	-	-	-	-	-	-	-	-	-	-
02	115/230	1	1/3	230	1/3	238	1/2	233	1/2	204	1	240	1 1/2	250	1 1/2	247
08	208-230/460	3	1/3	230	1/3	238	1/2	233	1/2	204	1	257	1 1/2	251	1 1/2	248
11	575	3	1/3	231	1/3	239	1/2	233	1/2	204	1	257	1 1/2	251	1 1/2	248
13	115/230	1	1/3	232	1/2	229	1	229	1	241	1	241	1 1/2	247	-	-
19	208-230/460	3	1/3	232	1/2	229	1	259	1	258	1	258	1 1/2	248	2	177
22	575	3	1/3	233	1/2	229	1	259	1	258	1	258	1 1/2	248	2	177
24	115/230	1	1/2	229	1	175	1	175	1.5	23	1 1/2	243	1 1/2	252	-	-
30	208-230/460	3	1/2	229	1	253	1	253	1.5	177	1 1/2	244	1 1/2	180	3	246
33	575	3	1/2	229	1	253	1	253	1.5	177	1 1/2	244	1 1/2	180	3	246
35	115/230	1	1	175	1 1/2	237	1 1/2	235	-	-	1 1/2	23	-	-	-	-
41	208-230/460	3	1	253	1 1/2	234	1 1/2	236	2	180	1 1/2	177	2	177	5	245
44	575	3	1	253	1 1/2	234	1 1/2	236	2	180	1 1/2	177	2	177	5	245
52	208-230/460	3	-	-	-	-	-	-	-	-	2	177	2	180	-	-
55	575	3	-	-	-	-	-	-	-	-	2	177	2	180	-	-
63	208-230/460	3	-	-	-	-	-	-	-	-	3	112	3	246	-	-
66	575	3	-	-	-	-	-	-	-	-	3	112	3	246	-	-
74	208-230/460	3	-	-	-	-	-	-	-	-	-	-	5	245	-	-
77	575	3	-	-	-	-	-	-	-	-	-	-	5	245	-	-

① For selection of correct power code, refer to the tables on pages 18-19.

Table 17.2 - Filter Static Pressure Drop ②

	BTP150	BTP175	BTP200	BTP250	BTP300	BTP350	BTP400
Filter Static ("W.C.)	0.1	0.2	0.1	0.2	0.2	0.2	0.2

② For blower units with enclosure and filter, add the following static pressures to the static pressure determined by the system designer for total external static pressure.

BLOWER PERFORMANCE DATA - MODEL BTP

Table 18.1 - Blower Model BTP 150-250 (40-55°F temp rise for 250 size unit) - ① ② ③

Model Size	ATR	CFM	HP	External Static Pressure ("W.C.)																													
				0.0			0.1			0.2			0.3			0.4			0.5			0.6			0.7								
				RPM	Drive	Turns	RPM	Drive	Turns	RPM	Drive	Turns	RPM	Drive	Turns	RPM	Drive	Turns	RPM	Drive	Turns	RPM	Drive	Turns	RPM	Drive	Turns	HP					
150	40	2778	1	573	175	4.5	615	175	4.0	658	175	3.0	699	175	2.5	738	175	1.5	775	175	1.0	810	175	0.5	-	-	-	1					
			1/2	-	-	-	-	-	-	-	-	-	-	-	-	-	-	-	-	-	-	-	-	-	-	-	-	-	-	-	1/2		
			1	510	-	-	558	175	4.5	606	175	4.0	650	-	-	692	175	3.0	731	175	2.0	769	175	1.0	806	175	0.5	1	-	-	1		
	45	2469	1	-	-	-	-	-	-	-	-	-	-	-	-	-	-	-	-	-	-	-	-	-	-	-	-	-	-	-	1/3		
			1/2	-	-	-	-	-	-	-	-	-	-	-	-	-	-	-	-	-	-	-	-	-	-	-	-	-	-	-	-	1/2	
			1	460	232	4.0	513	229	4.0	565	229	3.0	612	229	2.0	656	175	4.0	699	175	2.5	739	175	1.5	779	175	1.0	1	-	-	1		
	50	2222	1/3	-	-	-	-	-	-	-	-	-	-	-	-	-	-	-	-	-	-	-	-	-	-	-	-	-	-	-	-	1/3	
			1/2	-	-	-	-	-	-	-	-	-	-	-	-	-	-	-	-	-	-	-	-	-	-	-	-	-	-	-	-	1/2	
			1	418	230	2.5	477	230	0.5	532	229	5.0	582	229	4.0	629	229	3.0	674	229	2.0	717	229	1.5	759	229	1.0	1	-	-	1		
	55	2020	1/4	230	2.5	-	-	-	-	-	-	-	-	-	-	-	-	-	-	-	-	-	-	-	-	-	-	-	-	-	-	1/4	
			1/3	-	-	-	-	-	-	-	-	-	-	-	-	-	-	-	-	-	-	-	-	-	-	-	-	-	-	-	-	1/3	
			1/2	-	-	-	-	-	-	-	-	-	-	-	-	-	-	-	-	-	-	-	-	-	-	-	-	-	-	-	-	1/2	
	60	1852	1	-	-	-	-	-	-	-	-	-	-	-	-	-	-	-	-	-	-	-	-	-	-	-	-	-	-	-	-	1	
			1/4	384	230	3.5	448	230	1.5	506	230	0.0	559	229	4.0	609	229	3.0	656	229	2.0	701	229	1.0	741	229	0.5	1	-	-	1/4		
			1/3	-	-	-	-	-	-	-	-	-	-	-	-	-	-	-	-	-	-	-	-	-	-	-	-	-	-	-	-	1/3	
	65	1709	1/4	354	230	4.0	423	230	2.0	485	232	3.0	540	232	2.0	592	232	1.0	642	229	1.5	690	229	0.5	735	229	0.5	1	-	-	1/4		
			1/3	-	-	-	-	-	-	-	-	-	-	-	-	-	-	-	-	-	-	-	-	-	-	-	-	-	-	-	-	1/3	
			1	-	-	-	-	-	-	-	-	-	-	-	-	-	-	-	-	-	-	-	-	-	-	-	-	-	-	-	-	1	
	70	1587	1/4	329	230	5.0	403	230	3.0	467	232	3.5	525	232	2.5	580	232	1.0	635	232	0.0	680	229	0.5	722	229	0.5	1	-	-	1/4		
			1/3	-	-	-	-	-	-	-	-	-	-	-	-	-	-	-	-	-	-	-	-	-	-	-	-	-	-	-	-	1/3	
			1	-	-	-	-	-	-	-	-	-	-	-	-	-	-	-	-	-	-	-	-	-	-	-	-	-	-	-	-	1	
	175	40	3241	1	625	175	3.5	655	175	3.0	690	175	2.5	727	175	2.0	764	175	1.5	799	175	1.0	834	175	0.5	866	175	0.5	1	-	-	1	
				1-1/2	-	-	-	-	-	-	-	-	-	-	-	-	-	-	-	-	-	-	-	-	-	-	-	-	-	-	-	-	1-1/2
				1	555	175	5.0	589	175	4.5	630	175	3.5	672	175	3.0	712	175	2.0	750	175	1.5	786	175	1.0	821	175	0.5	1	-	-	1	
45		2881	1	-	-	-	-	-	-	-	-	-	-	-	-	-	-	-	-	-	-	-	-	-	-	-	-	-	-	-	-	1/2	
			1/2	-	-	-	-	-	-	-	-	-	-	-	-	-	-	-	-	-	-	-	-	-	-	-	-	-	-	-	-	1/2	
			1	500	229	4.5	538	229	3.5	584	229	2.5	630	229	1.5	673	229	0.5	713	229	0.5	751	229	0.5	788	229	0.5	1	-	-	1		
50		2593	1	-	-	-	-	-	-	-	-	-	-	-	-	-	-	-	-	-	-	-	-	-	-	-	-	-	-	-	-	1-1/2	
			1/2	-	-	-	-	-	-	-	-	-	-	-	-	-	-	-	-	-	-	-	-	-	-	-	-	-	-	-	-	1-1/2	
			1	454	238	2.5	497	229	4.5	548	229	3.5	597	229	2.5	642	229	1.5	684	229	0.5	724	229	0.5	763	229	0.5	1	-	-	1		
55		2357	1/3	-	-	-	-	-	-	-	-	-	-	-	-	-	-	-	-	-	-	-	-	-	-	-	-	-	-	-	-	1/3	
			1/2	-	-	-	-	-	-	-	-	-	-	-	-	-	-	-	-	-	-	-	-	-	-	-	-	-	-	-	-	1/2	
			1	416	238	4.0	464	238	2.5	520	229	5.0	571	229	3.0	618	229	2.0	662	229	1.0	705	229	0.5	745	229	0.5	1	-	-	1		
60		2160	1/2	-	-	-	-	-	-	-	-	-	-	-	-	-	-	-	-	-	-	-	-	-	-	-	-	-	-	-	-	1/2	
			1	-	-	-	-	-	-	-	-	-	-	-	-	-	-	-	-	-	-	-	-	-	-	-	-	-	-	-	-	1	
			1-1/2	-	-	-	-	-	-	-	-	-	-	-	-	-	-	-	-	-	-	-	-	-	-	-	-	-	-	-	-	1-1/2	
65		1994	1/3	384	238	4.5	438	238	3.0	497	238	1.5	550	238	0.0	599	229	2.5	645	229	1.5	690	229	0.5	733	229	0.5	1	-	-	1/3		
			1/2	-	-	-	-	-	-	-	-	-	-	-	-	-	-	-	-	-	-	-	-	-	-	-	-	-	-	-	-	1/2	
			1	416	238	5.0	464	238	3.5	520	238	2.0	571	238	0.5	618	229	1.5	662	229	0.5	705	229	0.5	745	229	0.5	1	-	-	1		
70		1852	1/3	356	238	5.0	415	238	3.5	477	238	2.0	533	238	0.5	584	229	2.5	632	229	1.5	678	229	1.0	728	229	0.5	1	-	-	1/3		
			1/2	-	-	-	-	-	-	-	-	-	-	-	-	-	-	-	-	-	-	-	-	-	-	-	-	-	-	-	-	1/2	
			1	416	238	5.0	464	238	3.5	520	238	2.0	571	238	0.5	618	229	1.5	662	229	0.5	705	229	0.5	745	229	0.5	1	-	-	1		
200		40	3704	1-1/2	715	235	3.5	741	235	2.5	770	235	2.0	-	-	-	-	-	-	-	-	-	-	-	-	-	-	-	-	-	-	1-1/2	
				1	635	175	3.5	665	175	3.0	698	175	2.5	735	175	2.0	772	175	1.5	807	175	1.0	841	175	0.5	873	175	0.5	1	-	-	1	
				1-1/2	-	-	-	-	-	-	-	-	-	-	-	-	-	-	-	-	-	-	-	-	-	-	-	-	-	-	-	-	-
	45	2963	1	571	175	4.5	604	175	4.0	643	175	3.5	684	175	2.5	723	175	2.0	761	175	1.5	797	175	1.0	831	175	0.5	1	-	-	1		
			1/2	-	-	-	-	-	-	-	-	-	-	-	-	-	-	-	-	-	-	-	-	-	-	-	-	-	-	-	-	-	1/2
			1	519	233	2.5	556	229	4.0	600	229	2.5	644	229	1.5	688	229	0.5	725	229	0.5	763	229	0.5	799	229	0.5	1	-	-	1		
	50	2469	1/2	-	-	-	-	-	-	-	-	-	-	-	-	-	-	-	-	-	-	-	-	-	-	-	-	-	-	-	-	1/2	
			1	475	233	2.5	516	233	2.5	565	233	1.5	612	233	1.0	656	233	0.5	697	233	0.5	736	233	0.5	774	233	0.5	1	-	-	1		
			1-1/2	-	-	-	-	-	-	-	-	-	-	-	-	-	-	-	-	-	-	-	-	-	-	-	-	-	-	-	-	-	1-1/2
	55	2279	1	439	233	4.5	484	233	3.5	537	233	2.0	586	233	1.0	632	233	0.0	675	233	0.0	716	233	0.0	756	233	0.0	1	-	-	1		
			1/2</																														

BLOWER PERFORMANCE DATA - MODEL BTP

Table 19.1 - Blower Model BTP 250-400 (60-70°F temp rise for 250 size unit) - ① ② ③

Model Size	ATR	CFM	HP	External Static Pressure ("W.C.)																							
				0.0		0.1		0.2		0.3		0.4		0.5		0.6		0.7		HP							
				RPM	Drive Turns	RPM	Drive Turns	RPM	Drive Turns	RPM	Drive Turns	RPM	Drive Turns	RPM	Drive Turns	RPM	Drive Turns	RPM	Drive Turns								
250	3086	1/2	360	204	4.0	204	3.0	204	1.5	241	3.0	241	2.0	241	1.5	241	1.0	241	0.5	635	241	0.0	1/2				
				241	5.0	241	4.0	241	3.0	241	2.0	241	1.5	241	1.0	241	0.5	241	0.0	1	241	0.0	1				
				-	-	-	-	-	-	-	-	-	-	-	-	-	-	-	-	-	-	635	23	2.0	1-1/2		
		2	332	204	4.5	204	3.5	204	2.0	204	1.0	241	3.5	241	2.5	241	1.5	241	1.0	241	0.5	622	241	0.0	1		
				-	-	-	-	-	-	-	-	-	-	-	-	-	-	-	-	-	-	622	23	2.0	1-1/2		
				-	-	-	-	-	-	-	-	-	-	-	-	-	-	-	-	-	-	622	180	4.0	2		
	2646	308	204	5.0	204	4.5	204	2.5	204	1.5	241	5.0	241	4.0	241	3.0	241	2.0	241	1.0	613	241	0.5	1			
			-	-	-	-	-	-	-	-	-	-	-	-	-	-	-	-	-	-	613	23	2.5	1-1/2			
			-	-	-	-	-	-	-	-	-	-	-	-	-	-	-	-	-	-	613	180	4.5	2			

Table 19.2 - Alternate Drives for 208-230/460V 3 Ph, 1 HP Motors

Model	1 HP Drive Listed	1 HP Drive for 230/460V
BTP300	240	= 257
BTP350	241	= 258
BTP400	-	= -

Table 19.3 - Alternate Drives for 208-230/460V 3 Ph, 1-1/2 HP Motors

Model	1-1/2 HP Drive Listed	1-1/2 HP Drive for 230/460V
BTP300	23	= 177
BTP350	243	= 244
BTP400	247	= 248
	250	= 251
	252	= 180
	247	= 248
	250	= 251
	252	= 180

Table 19.4 - Alternate Drives for 575V

Model	Drive for Under 575V	Drive for 575V
BTP300	23	= 177
BTP350	240	= 257
BTP400	243	= 244
	247	= 248
	250	= 251
	252	= 180
	247	= 248

- ① Outputs shown are for elevations up to 2000'. For elevations over 2000', output needs to be reduced 4% for each 1000' above sea level. (Does not apply in Canada - see rating plate).
- ② Sheave turns open are approximate. For proper operation, check blower rpm.
- ③ For 230/460V (1 HP and 1-1/2 HP) or 575V selections, see Tables 19.2, 3, & 4 for the corrected drive number.

INSTALLATION - OPERATION

OPERATION

Prior to Operation

IMPORTANT

1. To prevent premature heat exchanger failure, the input to the appliance as indicated on the serial plate, must not exceed the rated input by more than 5%.
2. Start-up and adjustment procedures must be performed by a qualified service agency.

Although this unit has been assembled and fire-tested at the factory, the following pre-operational procedures should be performed to assure proper on-site operation:

1. Turn off power to the unit at the disconnect switch. Check that fuses or circuit breakers are in place and sized correctly. Turn all hand gas valves to the "OFF" position.
2. Remove the side control access panel.
3. Check that the supply voltage matches the unit supply voltage listed on the Model Identification plate. Verify that all wiring is secure and properly protected. Trace circuits to insure that the unit has been wired according to the wiring diagram. If installed at altitudes above 2,000' and the high altitude kit includes a combustion air proving switch, replace the switch in the unit with the switch provided in the kit. Take care to ensure that the tubing and electrical connections are securely fastened.
4. Check to insure that the venting system is installed correctly and free from obstructions. Before you start use the following steps to verify that the venting system is adequately sized:
 - a. Seal any unused openings in the venting system.
 - b. Inspect the venting system for proper size and horizontal pitch, as required in the National Fuel Gas Code, ANSI Z223.1 (NFPA 54) or CSA B149.1 Installation Code - latest edition and these instructions. Determine that there is no blockage or restriction, leakage, corrosion, or other deficiencies, which could cause an unsafe condition.
 - c. Insofar as practical, close all building doors and windows and all doors between the space in which the appliance(s) connected to the venting system is (are) located and other spaces of the building. Turn on clothes dryers and any exhaust fans such as range hoods and bathroom exhausts, so they shall operate at maximum speed. Do not operate a summer exhaust fan. Close fireplace dampers.
 - d. Follow the lighting instructions. Place the appliance being inspected in operation. Adjust thermostat so that the appliance will operate continuously.
 - e. After it has been determined that each appliance connected to the venting system properly vents when tested as outlined above, return doors, windows, exhaust fans, fireplace dampers and any other gas-burning appliance to their previous conditions of use.
 - f. If improper venting is observed during any of the above tests, the venting system must be corrected.
5. Check to see that there are no obstructions to the intake and discharge of the unit.
6. Check fan clearance. Fan should not contact casing when spun by hand.
7. Check to make sure that all filters are in place and that they are installed properly according to direction of air flow (if applicable).
8. Perform a visual inspection of the unit to make sure no damage has occurred during installation. Check to ensure all fasteners are in place and the burner openings are properly aligned with the heat exchanger tubes and that the gas orifices are centered in the burner inspirator tube opening.

9. Check that all horizontal deflector blades are open a minimum of 30° as measured from vertical.
10. Turn on power to the unit at the disconnect switch.
11. Check the thermostat, ignition control, gas valve, and supply fan blower motor for electrical operation. If these do not function, recheck the wiring diagram.
12. Check the motor speed (rpm).
13. Check the motor voltage.
14. Check the motor amp draw to make sure it does not exceed the motor nameplate rating.
15. Recheck the gas supply pressure at the field installed manual shut-off valve. The minimum inlet pressure should be 6" W.C. on natural gas and 11" W.C. on propane gas. The maximum inlet pressure for either gas is 14" W.C. If inlet pressure exceeds 14" W.C., a gas pressure regulator must be added upstream of the combination gas valve.
16. Open the field installed manual gas shut-off valve.
17. Place the manual main gas valve on the combination gas valve in the "On" position. Call for heat with the thermostat.
18. Check to make sure that the main gas valve opens. Check the manifold gas pressure (See "Main Gas Adjustment") while the supply fan blower is operating.
19. Check to insure that gas controls sequence properly (see "Control Operating Sequence"). If you are not familiar with the unit's controls (i.e. combination gas control), refer to the control manufacturer's literature supplied with the unit.
20. Once proper operation of the unit has been verified, remove any jumper wires that were required for testing.
21. Replace the side control access panel.
22. If installed at altitudes above 2,000', affix label included with high altitude kit and fill in all fields with a permanent marker.

Main Burner Adjustment

The gas pressure regulator (integral to the combination gas control) is adjusted at the factory for average gas conditions. It is important that gas be supplied to the unit heater in accordance with the input rating on the serial plate. Actual input should be checked and necessary adjustments made after the unit heater is installed. Over-firing, a result of too high an input, reduces the life of the appliance and increases maintenance. Under no circumstances should the input exceed that shown on the serial plate.

Measuring the manifold pressure is done at the outlet pressure tap of the gas valve.

To Adjust the Manifold Pressure

1. Move the field installed manual shut-off valve to the "OFF" position.
2. Remove the 1/8" pipe plug from the outlet pressure tap on the gas valve and attach a water manometer of "U" tube type which is at least 12" high.
3. Move the field installed manual gas shut-off valve to the "ON" position.
4. Create a high-fire call for heat from the thermostat.
5. Refer to Table 11.1 to determine the correct high fire manifold pressure for the gas type of the unit. Pressures at 0-2,000' elevation are 3.5" W.C. for natural gas, 10" W.C. for propane gas, for elevations above 2,000' refer to the instructions in "Gas Connections - High Altitude Accessory Kit" on page 12. Adjust the main gas pressure regulator spring to achieve the proper manifold pressure (for location, see the combination gas control literature supplied with unit).
6. After adjustment, move the field installed manual shut-off valve to the "OFF" position and replace the 1/8" pipe plug.
7. After the plug is in place, move the field installed manual shut-off valve to the "ON" position and recheck pipe plugs for gas leaks with soap solution.

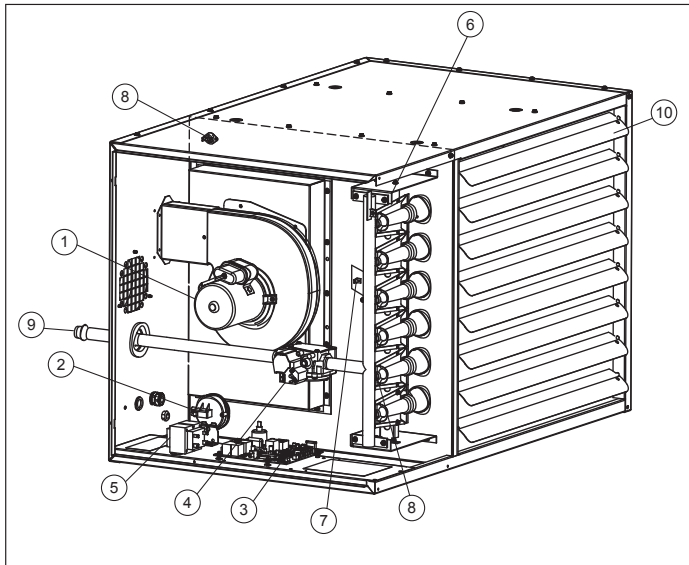
CONTROL OPERATING SEQUENCE / UNIT COMPONENTS

CONTROL OPERATING SEQUENCE

Upon a call for heat from the thermostat, power is supplied to the power exhauster motor. The unit will go through a purge period and then the direct spark igniter will be energized. At the same time, the main valve in the combination control valve will open to allow gas to flow to the burners. If the fan motor has

not already started it will start shortly. If a flame is not sensed within 7 seconds for any reason the main valve will close and there will be a short purge period before ignition is tried again. If the flame is not sensed after four tries there will be at least a one hour wait before ignition is tried again.

Figure 21.1 - Major Gas, Electrical Service, Safety and Other Components



- 1. Power Exhauster
- 2. Pressure Switch
- 3. Integrated Direct Spark Control Board
- 4. Combination Gas Control
- 5. Control Transformer
- 6. Flame Sensor (hidden)
- 7. Auto Reset Limit Control (hidden)
- 8. Direct Spark Igniter (hidden)
- 9. Gas Pipe Connection
- 10. Horizontal Air Deflector Blades

Table 21.2 - Gas Controls - All Models

Control System Description	Gas Type	Control Code	Control Voltage	Service Voltage
Single-Stage, Direct Spark Ignition, 100% Shut-off with Continuous Retry Utilizes a single-stage combination gas control with ignition control. Gas is lit with a direct spark igniter on call for heat.	Natural	11	24V	115V
	Propane	21		
Two-Stage, Direct Spark Ignition, 100% Shut-off with Continuous Retry Utilizes a two-stage combination gas control with built-in ignition control. Firing rate is 100% and 50% of full rated input. Gas is lit with a direct spark igniter on call for heat.	Natural	12	24V	115V
	Propane	22		

GENERAL PERFORMANCE DATA - MODELS PTP & BTP

Table 22.1 - Propeller Unit Model PTP General Performance Data

	Model PTP Sizes						
	150	175	200	250	300	350	400
Btu/Hr Input ①	150,000	175,000	200,000	250,000	300,000	350,000	400,000
Btu/Hr Output ①	123,000	143,500	164,000	207,500	249,000	290,500	332,000
Entering Airflow (CFM) @ 70°F	2140	2725	2870	3995	4545	5280	5995
Outlet Velocity (FPM)	711	607	643	721	824	748	851
Air Temp. Rise (°F)	53	48	52	47	50	50	51
Max. Mounting Height (Ft.) ②	15	14	15	18	19	18	21
Heat Throw (Ft.) @ Max Mtg Ht ②	51	50	53	62	69	65	74
Motor Type ③	PSC	PSC	PSC	PSC	PSC	PSC	PSC
Motor HP	1/6	1/6	1/3	1/3	1/2	1/2	3/4
Motor RPM	1075	1075	1075	1075	1075	1125	1125

Table 22.2 - Blower Unit Model BTP General Performance Data

	Model BTP Sizes																				
	150			175			200			250			300			350			400		
Btu/Hr Input ①	150,000			175,000			200,000			250,000			300,000			350,000			400,000		
Btu/Hr Output ①	123,000			143,500			164,000			205,000			246,000			287,000			328,000		
Entering Airflow (CFM) @ 70°F	Low	Mid	High	Low	Mid	High	Low	Mid	High	Low	Mid	High	Low	Mid	High	Low	Mid	High	Low	Mid	High
	1587	2020	2778	1852	2357	3241	2116	2694	3704	2646	3367	4630	3175	4040	5556	3704	4714	6481	4233	5387	7407
Outlet Velocity (FPM)	543	674	903	428	531	711	489	607	813	497	617	826	596	740	991	543	674	903	621	770	1032
Air Temp. Rise (°F)	70	55	40	70	55	40	70	55	40	70	55	40	70	55	40	70	55	40	70	55	40
Max. Mounting Height (Ft.) ②	9	13	21	8	11	18	9	13	21	10	14	22	11	16	26	11	16	25	12	18	29
Heat Throw (Ft.) (@ Max Mtg Ht)	33	47	75	28	40	65	32	46	74	34	48	78	40	58	94	39	55	89	44	63	102

① Ratings shown are for elevations up to 2,000'. For elevations above 2,000', ratings should be reduced at the rate of 4% for each 1,000' above sea level (in Canada see rating plate.) Reduction of ratings requires use of a high altitude kit.

② Data taken at 55°F air temperature rise. At 65°F ambient and unit fired at full-rated input. Mounting height as measured from bottom of unit, and without deflector hoods. For units equipped with deflector hoods, see page 23.

PERFORMANCE DATA - DEFLECTOR HOODS

Figure 23.1 - 30°, 60°, and 90° Downward Deflector Hoods

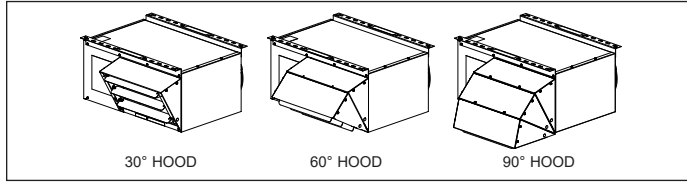


Figure 23.2 - 30° and 60° Throw/Floor Coverage

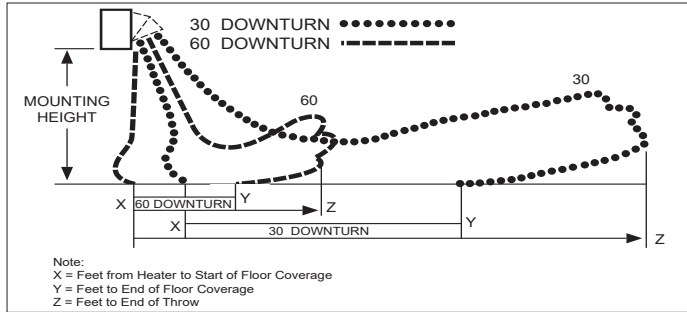


Table 23.1 - Deflector Hood General Performance Data - Model BTP

Model Size	Airflow (cfm)	Temp Rise (°F)	Mounting Height (ft)	Blade Angle (°)	30° Hood			60° Hood			90° Hood
					X (ft)	Y (ft)	Z (ft)	X (ft)	Y (ft)	Z (ft)	S (ft)
150	2020	55	8	57	13	29	40	0	31	42	21
			10	48	12	28	38	0	28	39	19
			12	37	10	25	35	0	25	34	17
			14	21	8	21	30	0	19	27	16
			15	10	7	19	27	0	12	18	15
175	2357	55	8	51	11	24	33	0	25	34	17
			10	39	9	22	31	0	22	30	15
			12	22	7	19	26	0	17	23	14
			13	2	5	14	21	0	10	14	13
200	2694	55	8	57	13	29	39	0	30	41	20
			10	47	12	27	37	0	28	38	18
			12	35	10	25	34	0	24	33	17
			14	18	7	20	29	0	18	25	15
			15	2	5	16	24	0	11	16	15
250	3367	55	8	59	14	31	42	0	32	44	22
			10	50	13	29	40	0	30	41	20
			12	39	11	27	37	0	27	37	18
			14	25	9	23	33	0	22	30	17
			15	15	7	20	29	0	18	25	16
300	4040	55	8	64	17	37	51	0	40	54	29
			10	57	16	36	50	0	38	52	26
			12	50	15	35	48	0	36	49	23
			14	41	13	33	45	0	33	45	22
			16	30	12	30	41	0	28	39	20
350	4714	55	8	63	16	36	49	0	37	51	27
			10	55	15	34	47	0	36	49	24
			12	47	14	33	45	0	33	46	22
			14	37	12	30	42	0	30	41	20
			16	25	10	27	38	0	25	34	19
400	5387	55	8	67	19	41	56	0	44	60	32
			10	60	18	40	55	0	42	58	29
			12	53	17	39	53	0	40	55	26
			14	46	15	37	51	0	37	51	25
			16	37	14	34	48	0	34	47	23
			18	26	12	31	43	0	29	40	22
			20	8	8	23	34	0	20	28	21
			20	8	8	23	34	0	20	28	21

Note: Refer to Figures 23.2 through 23.3.

Figure 23.3 - 90° Hood Throw/Floor Coverage

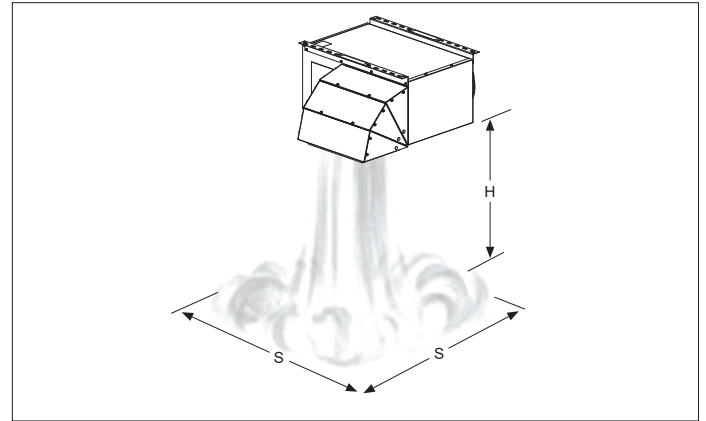


Table 23.2 - Deflector Hood General Performance Data - Model PTP

Model Size	Airflow (cfm)	Temp Rise (°F)	Mounting Height (ft)	Blade Angle (°)	30° Hood			60° Hood			90° Hood
					X (ft)	Y (ft)	Z (ft)	X (ft)	Y (ft)	Z (ft)	S (ft)
150	2139	53	8	60	15	32	44	0	34	47	24
			10	52	13	31	42	0	32	44	21
			12	42	12	29	40	0	29	40	19
			14	30	10	26	36	0	25	34	18
			16	9	7	20	29	0	17	24	17
175	2726	48	8	60	14	32	43	0	33	46	23
			10	51	13	30	42	0	31	43	21
			12	41	12	28	39	0	28	39	19
			14	29	10	25	35	0	24	33	17
			16	8	6	17	26	0	15	21	16
200	2780	52	8	59	14	30	42	0	32	44	22
			10	49	12	29	40	0	30	41	19
			12	39	11	27	37	0	26	36	18
			14	24	9	23	33	0	21	30	16
250	3994	47	8	66	19	41	56	0	43	59	32
			10	60	18	40	54	0	42	57	29
			12	53	17	38	53	0	40	54	26
			14	46	15	36	50	0	37	51	24
			16	37	14	34	47	0	33	46	23
			18	26	12	31	43	0	28	40	21
300	4543	50	8	69	22	45	62	0	48	66	37
			10	63	21	44	61	0	47	64	33
			12	57	19	43	59	0	45	62	30
			14	51	18	42	57	0	43	59	28
			16	44	17	40	55	0	40	55	26
			18	35	15	37	52	0	36	50	25
			20	25	13	33	47	0	31	43	24
350	5278	50	8	68	20	43	58	0	45	62	34
			10	61	19	42	57	0	44	60	31
			12	55	18	40	55	0	42	58	28
			14	48	17	39	53	0	40	54	26
			16	40	15	37	51	0	36	50	24
			18	31	13	34	47	0	32	44	23
400	5995	51	8	70	24	49	66	0	52	71	41
			10	65	22	48	65	0	51	69	37
			12	59	21	47	64	0	49	67	34
			14	54	20	45	62	0	47	64	31
			16	47	19	44	60	0	44	61	29
			18	40	17	41	57	0	41	57	28
			20	32	15	38	54	0	37	51	26
			22	21	13	34	48	0	31	43	25
23	13	11	31	44	0	26	37	24			

Note: Refer to Figures 23.2 through 23.3.

DIMENSIONAL DATA - MODEL PTP AND BTP

Propeller Units - Model PTP

Figure 24.1 - Dimensional Drawings

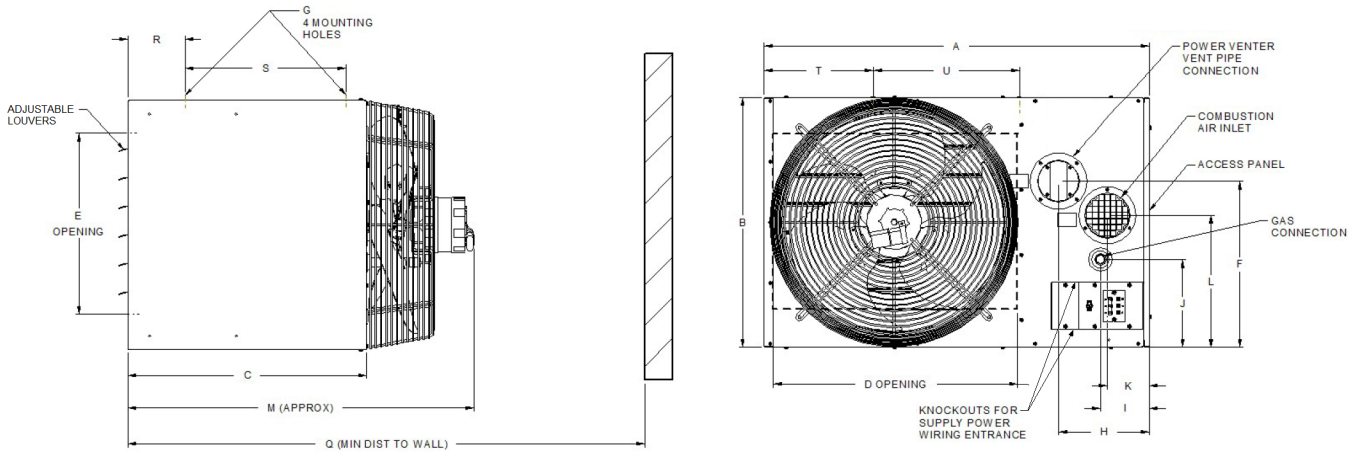


Table 24.1 - Dimensions (inches) - PTP ①

Models	PTP150	PTP175	PTP200	PTP250	PTP300	PTP350	PTP400
A	35.53	42.53	42.53	42.53	42.53	42.53	42.53
B	23.06	25.81	25.81	31.31	31.31	39.56	39.56
C	22.05	22.05	22.05	22.05	22.05	22.05	22.05
D	22.52	29.52	29.52	29.52	29.52	29.52	29.52
E	16.20	18.95	18.95	24.46	24.46	32.71	32.71
F	15.33	16.70	16.70	19.45	19.45	23.58	23.58
G (Mounting Hole) ②	3/8-16	3/8-16	3/8-16	3/8-16	3/8-16	3/8-16	3/8-16
H	8.37	8.37	8.37	8.37	8.37	8.37	8.37
I	4.50	4.50	4.50	4.50	4.50	4.50	4.50
M	31.79	32.83	34.43	33.83	33.83	34.83	34.83
Q ③	43.79	44.83	46.43	45.83	45.83	46.83	46.83
R	3.56	3.56	3.56	3.56	3.56	3.56	3.56
S	14.90	14.90	14.90	14.90	14.90	14.90	14.90
T	10.00	10.00	10.00	10.00	10.00	10.00	10.00
U	13.54	20.53	20.53	20.53	20.53	20.53	20.53
Gas Connection	1/2	1/2	1/2	3/4	3/4	3/4	3/4
Vent Connector Size	4"	4"	4"	6"	6"	6"	6"
Fan Diameter	20.00	22.00	22.00	22.00	22.00	24.00	26.13
Approx. Shipping Weight (lbs.)	165	210	220	265	270	310	320

① Do not use propeller units with duct work.

② Listed is the hole diameter and threads per inch to accept threaded rod.

③ Dimension equals overall plus 12".

DIMENSIONAL DATA - MODEL BTP

Blower Units - Model BTP

Figure 25.1 - Dimensional Drawings

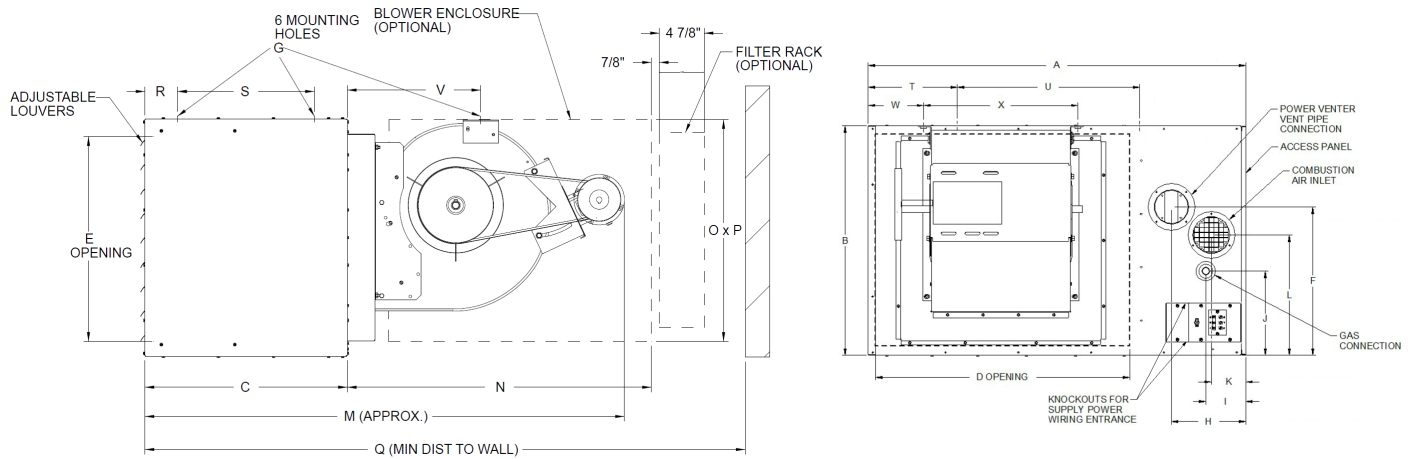


Table 25.1 - Dimensions (inches) - BTP

Models	BTP150	BTP175	BTP200	BTP250	BTP300	BTP350	BTP400
A	35.53	42.53	42.53	42.53	42.53	42.53	42.53
B	23.06	25.81	25.81	31.31	31.31	39.56	39.56
C	22.05	22.05	22.05	22.05	22.05	22.05	22.05
D	22.52	29.52	29.52	29.52	29.52	29.52	29.52
E	21.18	23.93	23.93	24.46	24.46	32.17	32.17
F	15.33	16.70	16.70	19.45	19.45	23.58	23.58
G (Mounting Hole) ①	3/8-16	3/8-16	3/8-16	3/8-16	3/8-16	3/8-16	3/8-16
H	8.37	8.37	8.37	8.37	8.37	8.37	8.37
I	4.50	4.50	4.50	4.50	4.50	4.50	4.50
J	8.09	9.47	9.47	6.72	6.72	10.84	10.84
K	3.87	3.87	3.87	5.20	5.20	5.20	5.20
L	12.17	13.55	13.55	12.66	12.66	16.78	16.78
M ②	52.25	52.19	52.19	58.88	58.88	58.88	58.88
N	33.18	33.90	33.90	39.88	39.88	39.88	39.88
O	23.90	24.13	24.13	27.04	27.04	28.57	28.57
P	24.77	24.52	24.52	27.19	27.19	28.28	28.28
Q (w/Blower Encl & Filter Rack)	73.04	73.70	73.70	79.68	79.68	79.68	79.68
Q (w/o Blower Encl & Filter Rack)	64.25	64.19	64.19	70.88	70.88	70.88	70.88
R	3.56	3.56	3.56	3.56	3.56	3.56	3.56
S	14.90	14.90	14.90	14.90	14.90	14.90	14.90
T	10.00	10.00	10.00	10.00	10.00	10.00	10.00
U	13.54	20.53	20.53	20.53	20.53	20.53	20.53
V	14.52	14.52	14.52	18.04	18.04	18.00	18.00
W	3.27	7.15	7.15	4.77	4.77	5.24	5.24
X	17.38	17.38	17.38	20.38	20.38	20.38	20.38
Gas Connection	1/2	1/2	1/2	3/4	3/4	3/4	3/4
Vent Connector Size	4"	4"	4"	6"	6"	6"	6"
Blower	12-12	12-12	12-12	15-15	15-15	15-15	15-15
Approx. Shipping Weight (lbs.)	220	275	280	340	345	395	405

① Listed is the hole diameter and threads per inch to accept threaded rod.

② This is an approximate dimension for standard motors, allow 3" for sheave and optional motors.

SERVICE / MAINTENANCE / TROUBLESHOOTING

WARNING

When servicing or repairing this equipment, use only factory-approved service replacement parts. A complete replacement parts list may be obtained by contacting the factory. Refer to the rating plate on the appliance for complete appliance model number, serial number, and company address. Any substitution of parts or controls not approved by the factory will be at the owner's risk.

CAUTION

1. Service or repair of this equipment must be performed by a qualified service agency.
2. Do not attempt to reuse any mechanical or electrical controllers which have been wet. Replace defective controller.

NOTE: To check most of the Possible Remedies in the troubleshooting guide listed in Table 26.1, refer to the applicable sections of the manual.

General Maintenance

The unit and venting system must be checked once a year by a qualified service technician.

All installation and service of these units must be performed by a qualified installation and service agency.

Before any service, BE SURE TO TURN OFF GAS AT THE MANUAL SHUT-OFF VALVE AHEAD OF THE COMBINATION GAS CONTROL AND TURN OFF ALL ELECTRIC POWER TO THE HEATER.

1. Service air moving components annually.
 - a. Check fan for fit on motor shaft and for damage to blades.
 2. Keep unit free from dust, dirt, grease, and foreign matter, paying particular attention to:
 - a. Combustion air inlets.
 - b. Burners and burner orifices. Turn off gas ahead of the combination gas control and shut off electric power to the heater. Remove the access panel, open the union on the gas line, and disconnect the igniter and sensor wires. Remove the screws that attach the burner tray to the header plate and remove the burner tray and manifold assembly from the heater. Carefully clean the burners with a wire brush or other suitable means. Replace any damaged or deteriorating burners or orifices. Install the burner assembly back onto the header, making certain that all screws, pipes and electrical connections are tight.
- CAUTION:** Be careful when handling the igniter and flame sensor.
3. Inspect the flame sensor and igniter for deterioration and/or cracks.
 4. Verify that the burners are touching each other at the carryover points. This will ensure flame carryover from burner to burner.
 - a. Clean exterior of heat exchanger tubes.
 - b. Fan blades.
 5. Check wiring for possible loose connections.
 6. The gas valves and piping should be checked annually for general cleanliness and tightness. The gas controls should be checked to insure that the unit is operating properly. See control instruction sheets furnished separately with the unit heater.
 7. The power exhaust motor bearings have been lubricated for long life and do not require additional lubrication. In dirty atmospheres, it may be desirable to clean the motors and blower housing and blow out the cooling air passages of the motor with compressed air.
 8. Perform periodic cleaning of inlet and vent terminal screens.

Table 26.1- Troubleshooting

TROUBLE	POSSIBLE CAUSE	POSSIBLE REMEDY
Unit does nothing	<ol style="list-style-type: none"> 1. Power supply is off 2. No 24V power to thermostat 3. Thermostat malfunction 4. LED flashes 5. Blown fuse on control board 6. Defective control 	<ol style="list-style-type: none"> 1. Turn on main power 2a. Check control transformer <ol style="list-style-type: none"> b. If failed transformer - check thermostat wire gage and length 3a. Verify wire connections to R&W terminals only <ol style="list-style-type: none"> b. Check / replace thermostat 4. Check LED flash code 5. Replace fuse 6. Replace control
LED light off or flashing	<ol style="list-style-type: none"> 1. Blown fuse on control board 2. Multiple causes 	<ol style="list-style-type: none"> 1. Replace fuse 2. Control board LED flash codes vary with control type. A decal is installed in the unit giving a brief description of the applicable codes for your heater. For more detail, see the control board data sheet included with the unit.
Unit starts but does not ignite	<ol style="list-style-type: none"> 1. Main gas is off 2. Air in gas line 3. Main or manifold gas pressure 4. Check gas valve switch 	<ol style="list-style-type: none"> 1. Open manual gas valve 2. Purge gas line 3. Set gas pressures per manual instructions 4. Set gas valve switch to "ON" position
Unit goes through cycle but the burners go out in less than 10 seconds Air circulating fan inoperable	<ol style="list-style-type: none"> 1. Reversed main power polarity 2. Unit not grounded 3. Flame not sensed 1. Loose connections 2. Defective control board 3. Defective fan motor 	<ol style="list-style-type: none"> 1. Black wire - HOT, White wire - NEUTRAL, Green wire - GROUND 2. Ground unit and verify quality of ground connection 3. Check flame sensor probe and connection 1. Check all connections 2. Check control board data sheet and function 3. Check fan motor

MODEL & SERIAL NUMBER / REPLACEMENT PARTS

Figure 27.1 - Model Number Designations (Remove access cover to locate)

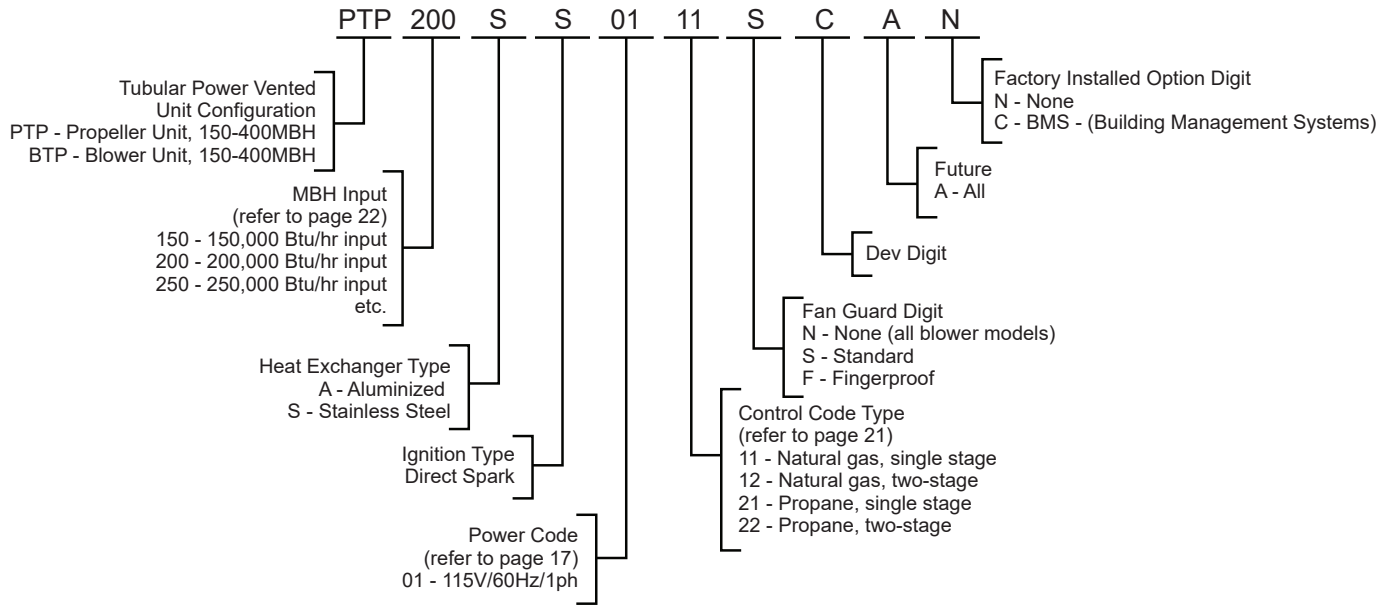
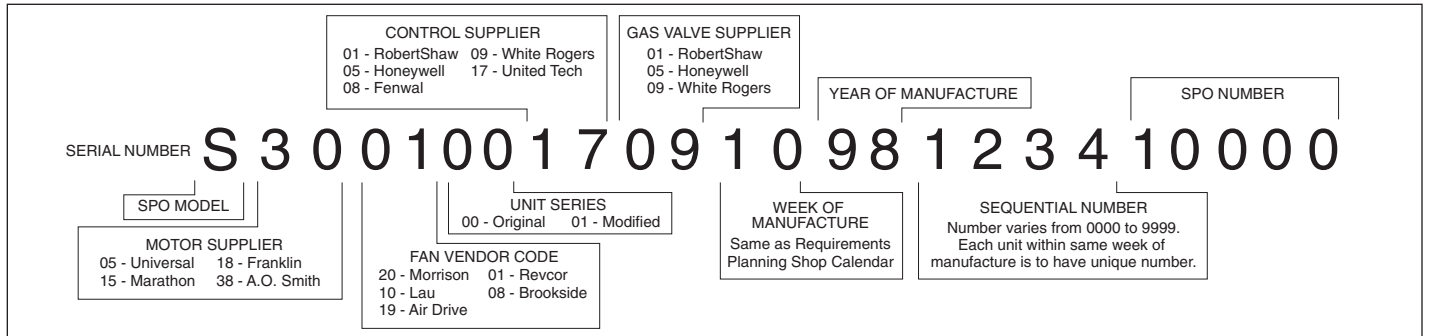


Figure 27.2 - Serial Number Designations (Remove access cover to locate)



Replacement Parts

When requesting parts please contact your local representative. Please have full model and serial number available. If you require assistance in locating your representative, please call the number located on the back page.

Page Left Intentionally Blank

Page Left Intentionally Blank

Page Left Intentionally Blank

WARRANTY

This Warranty (the "Warranty") shall apply to Products (as defined below) sold by Modine Manufacturing Company, a Wisconsin corporation ("Seller") to you ("Buyer").

Seller hereby warrants that during the Applicable Warranty Period (as defined below) its Products shall be free from defects in material and factory workmanship under normal use and service, subject to the EXCLUSIONS described below and according to the terms outlined in this Warranty.

If Seller receives written notice of a breach of this Warranty prior to the end of the Applicable Warranty Period (which such notice shall include the model and serial numbers of the Product, as well as the date and a reasonably detailed description of the Product's alleged failure), Buyer shall with Seller's prior written approval, return the applicable Product or component thereof to Seller with shipping charges prepaid; if upon examination by Seller such Product or component thereof is disclosed to have been defective, then Seller will, without charge to Buyer, at Seller's option, either repair the Product, replace defective parts in the Product, or offer an entire replacement unit of the Product; provided that the warranty period for a Product that has been repaired or provided with replacement parts shall not extend beyond the original Applicable Warranty Period, nor shall any replacement parts provided for a Product be under any warranty beyond the original Applicable Warranty Period for the Product; similarly, if Seller provides an entire replacement unit of the Product, the warranty period for the replacement unit is limited to the remainder of the original Applicable Warranty Period. Seller shall have no responsibility for installation, service, field labor, shipping, handling, or other costs or charges, except as expressly provided in this Warranty. Buyer shall have no remedy hereunder for any defective part returned without proper written authorization from Seller, as described above.

For purposes of this Warranty and subject to the exclusions described below, the term "Products" shall mean parts or equipment manufactured by Seller, sold to Buyer pursuant to a purchase contract between Buyer and Seller (most often initiated by a purchase order issued by Buyer and accepted by Seller), and expressly described in such contract. The term "Products" shall not include third-party parts or equipment furnished by Seller, except that, to the extent assignable, Seller will assign to Buyer the benefits (together with all limitations and exclusions) of the third-party manufacturer's warranty for such parts or equipment. This Warranty extends only to the original purchase contract between Buyer and Seller and is nontransferable, except that this Warranty may be assigned to an Authorized End User (as defined below). All replaced parts or equipment shall become Seller's property. For purposes of this Warranty, the term "Applicable Warranty Period" shall mean the warranty period set forth in the table below for each type or class of Product described on the table; provided that, when the Product is to be used as a component part of equipment manufactured by Buyer, the Applicable Warranty Period shall be limited to one (1) year after the date of shipment from Seller, notwithstanding anything in the table below to the contrary. For purposes of this Warranty, the term "Authorized End User" shall mean any third-party that purchases the Product directly or indirectly from Buyer for the Authorized End User's own use upon the first installation of the Product and not for resale.

BUYER HEREBY ACKNOWLEDGES THAT ITS REMEDIES FOR BREACH OF THIS WARRANTY, EXCLUSIVE OF ALL OTHER REMEDIES PROVIDED BY LAW, ARE LIMITED AS DESCRIBED ABOVE.

EXCLUSIONS AND LIMITATIONS: This Warranty is subject to the following exclusions and limitations:

The term "Products" shall not include and this Warranty shall not apply to any of the following items: refrigerant gas, belts, filters, fuses and other items consumed or worn out by normal wear and tear.

In addition, this Warranty shall not apply to:

- (1) Products or components thereof that are damaged or adversely affected by conditions beyond Seller's control, including but not limited to polluted or contaminated or foreign matter contained in the air or water utilized for heat exchanger (condenser) cooling or if the failure of the part is caused by improper air or water supply, or improper or incorrect sizing of power supply;
- (2) Any Products or components thereof which have been repaired or altered outside the factory of Seller in any way, or otherwise subject to unauthorized repairs or alterations, so as, in the judgment of Seller, to affect the Product's durability or performance;
- (3) Materials or labor of any kind not furnished by Seller, or any charges for any such labor or materials, whether such labor, materials or charges thereon are due to replacement of parts, adjustments, repairs, or any other work done by any party other than Seller;
- (4) Labor or other costs incurred for diagnosing, repairing, removing, installing, shipping, servicing, or handling of either defective or replacement parts;
- (5) Any Products removed from their original location for reinstallation in another location;
- (6) Any Products or components thereof which have been operated, maintained, or serviced contrary to Seller's written installation, operation, and/or servicing instructions or owner's manual;
- (7) Damages resulting from operation with an inadequate or interrupted supply of air or water;
- (8) Any Products or components thereof which have been subjected to misuse, negligence, faulty installation, improper servicing, accident, excessive thermal shock, excessive humidity, physical damage, impact, abrasion, improper operation, or other operating conditions in excess of or contrary to those for which such equipment was designed;
- (9) With respect to gas-fired or oil-fired units, any Products or components thereof if the input to the Product exceeds the rated input (as indicated on the Product's serial plate) by more than five percent (5%);
- (10) Any Products or components thereof which, in the judgment of Seller, have been installed in a corrosive atmosphere, marine, or coastal application, subjected to corrosive fluids or gases, or damaged or adversely affected by the effects of the physical or chemical properties of water or steam or other liquids or gases used in the Products or any component thereof;
- (11) Damage or failure to start resulting from improper voltage conditions, blown fuses, open circuit breakers, or other

inadequacy or interruption of electrical service or fuel supply; or
 (12) Any Products or components thereof from which the serial number has been altered, defaced or removed.

BUYER AGREES THAT THE WARRANTIES AND REMEDIES DESCRIBED HEREIN ARE THE ONLY WARRANTIES AND REMEDIES PROVIDED BY SELLER WITH RESPECT TO THE PRODUCTS AND TO THE MAXIMUM EXTENT PERMITTED UNDER APPLICABLE LAW SHALL BE IN LIEU OF AND EXCLUSIVE OF ALL OTHER WARRANTIES AND REMEDIES WHATSOEVER, EITHER EXPRESS OR IMPLIED, WHETHER ARISING FROM LAW, COURSE OF DEALING, USAGE OF TRADE, OR OTHERWISE, **INCLUDING BUT NOT LIMITED TO WARRANTIES OF MERCHANTABILITY, FITNESS FOR A PARTICULAR PURPOSE, AND NON-INFRINGEMENT, EACH OF WHICH SELLER HEREBY EXPRESSLY DISCLAIMS.** SELLER NEITHER ASSUMES (NOR HAS AUTHORIZED ANY PERSON TO ASSUME) ANY OTHER WARRANTY OR LIABILITY IN CONNECTION WITH ANY PRODUCTS. REPRESENTATIONS AND CONDITIONS, EXPRESS OR IMPLIED BY STATUTE, TRADE USAGE, OR OTHERWISE, ARE EXCLUDED AND WILL NOT APPLY TO THE PRODUCTS UNDER THIS WARRANTY, EXCEPT FOR WARRANTIES WHICH BY LAW CANNOT BE EXCLUDED

OR LIMITED. Without limiting the foregoing, Seller makes no and specifically disclaims all representations and/or warranties that the Products will detect the presence of, or eliminate, prevent, treat, or mitigate the spread, transmission, or outbreak of any pathogen, disease, virus, or other contagion, including but not limited to COVID 19.

BUYER AGREES THAT IN NO EVENT WILL SELLER BE LIABLE FOR COSTS OF PROCESSING, LOST REVENUES OR PROFITS, INJURY TO GOODWILL, OR ANY OTHER SPECIAL, CONSEQUENTIAL, OR INCIDENTAL DAMAGES OF ANY KIND RESULTING FROM THE PURCHASE OF THE PRODUCTS, OR FROM BUYER'S USE OF ANY PRODUCT, WHETHER ARISING FROM BREACH OF WARRANTY, NONCONFORMITY TO ORDERED SPECIFICATIONS, DELAY IN DELIVERY, OR ANY OTHER LOSS SUSTAINED BY THE BUYER.

OPTIONAL SUPPLEMENTAL WARRANTY

Buyer may purchase from Seller a supplemental warranty with respect to Products which shall extend the Applicable Warranty Period as set forth in the express terms and conditions described in the supplemental warranty agreement. Such supplemental warranty terms may include an additional four (4) years on certain compressors, an additional five (5) years "all parts" warranty, an additional four (4) or nine (9) years on certain heat exchangers, and/or such additional supplemental warranty terms as Seller chooses to make available to its customers from time to time.

COMPONENT	APPLICABLE MODELS		APPLICABLE WARRANTY PERIOD (WHICHEVER OCCURS FIRST)	
			Time from Date of First Beneficial Use by Buyer or Authorized End User	Time from Date of Shipment from Seller
Heat Exchangers and/or Coils	Gas Fired Unit Heaters with Tubular Style Heat Exchangers (e.g. HD, HDS, PTX, BTX, etc)	Aluminized or Stainless Steel	10 YEARS	126 MONTHS
	Gas Fired Unit Heaters with Clam-Shell Style Heat Exchangers (e.g. PDP, BDP, etc.)	Aluminized Steel (not in high-humidity applications)	10 YEARS (must be Stainless Steel in high-humidity applications)	126 MONTHS
		Aluminized Steel (in high-humidity applications)	1 YEAR	18 MONTHS
		Stainless Steel	10 YEARS	126 MONTHS
	Low Intensity Infrared Units		5 YEARS	66 MONTHS
	Indoor and Outdoor Duct Furnaces and System Units, Steam/Hot Water Units, Oil-Fired Units, Electric Units, Cassettes, Vertical Unit Ventilators, Geothermal Units		1 YEAR	18 MONTHS
Burners and Elements	Low Intensity Infrared Units		2 YEARS	30 MONTHS
	High Intensity Infrared and Electric Infrared Units		1 YEAR	18 MONTHS
Compressors	Condensing Units for Cassettes		5 YEARS	66 MONTHS
	Vertical Unit Ventilators, Geothermal Units		1 YEAR	18 MONTHS
Sheet Metal Parts	All Products		1 YEAR	18 MONTHS
Components, excluding Heat Exchangers, Coils, Condensers, Burners, Sheet Metal	All Products		2 YEARS	30 MONTHS

As Modine Manufacturing Company has a continuous product improvement program, it reserves the right to change design and specifications without notice.



© Modine Manufacturing Company 2024

Modine Manufacturing Company
 1500 DeKoven Avenue
 Racine, WI 53403
 Phone: 1.800.828.4328 (HEAT)
 www.modinehvac.com

Puisque Modine Manufacturing Company a un programme d'amélioration permanente de ses produits, elle se réserve le droit de modifier la conception et les caractéristiques techniques sans préavis.

PÉRIODE DE GARANTIE APPLICABLE (SELON LA PREMIÈRE ÉVENTUALITÉ)		MODÈLES APPLICABLES		COMPOSANT
Période à compter de la première utilisation par l'acheteur ou l'utilisateur final autorisé par le Vendeur		Période à compter de la date d'expédition		
126 MOIS	10 ANS	Acier aluminisé ou inoxydable	Appareils de chauffage au gaz avec échangeurs de chaleur de style tubulaire (par ex., HD, HDS, PTX, BTX, etc.)	Echangeurs thermiques ou serpents
126 MOIS	10 ANS (doit être en acier inoxydable dans les applications à humidité élevée)	Acier aluminisé (pas d'applications à humidité élevée)	Appareils de chauffage au gaz avec échangeurs de chaleur de style grappin (par ex., PDP, BDP, etc.)	
18 MOIS	1 AN	Acier aluminisé (dans les applications à humidité élevée)		
126 MOIS	10 ANS	Acier inoxydable	Modèles infrarouges à faible intensité	
66 MOIS	5 ANS		Modèles infrarouges à haute intensité et infrarouges électriques	
18 MOIS	1 AN		Condenseurs pour cassettes	
18 MOIS	1 AN		Ventilateurs verticaux, appareil géothermiques	
18 MOIS	1 AN		Tous les produits	
30 MOIS	2 ANS		Tous les produits	
18 MOIS	1 AN		Composants, excluant les échangeurs thermiques, les serpents, les condensateurs brûleurs, la tôle	

(12) aux Produits ou composants de ces derniers dont le numéro de série a été modifié, dégradé ou retiré.

L'ACHETEUR CONVIENT QUE LES GARANTIES ET LES RECOURS DÉCRITS AUX PRÉSENTES SONT LES SEULES GARANTIES ET LES SEULS RECOURS FOURNIS PAR LE VENDEUR EN CE QUI CONCERNE LES PRODUITS, ET DANS LA PLUS GRANDE MESURE PERMISE PAR LA LOI EN VIGUEUR, ILS REMPLACENT ET EXCLUENT TOUTES LES AUTRES GARANTIES ET TOUTS LES AUTRES RECOURS QUI SOIENT EXPLICITES OU IMPLICITES, DÉCOULANT DE LA LOI, D'UNE TRANSACTION, DE L'USAGE DU COMMERCE OU AUTREMENT, Y COMPRIS, SANS S'Y LIMITER, LES GARANTIES DE VALEUR MARCHANDE, D'ADAPTATION À UN USAGE PARTICULIER ET DE NON-CONTREFAÇON, AUXQUELS LE VENDEUR RENONCE EXPRESSÉMENT PAR LES PRÉSENTES. LE VENDEUR N'ASSUME PAS (ET N'A PAS AUTORISÉ QUICUNQUE À ASSUMER) TOUTE AUTRE GARANTIE OU RESPONSABILITÉ RELATIVEMENT AUX PRODUITS. LES REPRÉSENTATIONS ET LES CONDITIONS, EXPRESSES OU IMPLICITES PAR STATUT, USAGE DU COMMERCE OU AUTREMENT, SONT EXCLUES ET NE S'APPLIQUENT PAS AUX PRODUITS EN VERTU DE LA PRÉSENTE GARANTIE, À L'EXCEPTION DES GARANTIES QUI NE PEUVENT PAS ÊTRE EXCLUES OU LIMITÉES SELON LA LOI.

Sans limiter ce qui précède, le Vendeur n'effectue aucune déclaration et renonce spécifiquement à toute garantie que les Produits détectent la persistance, élimineront, traiteront ou atténueront la propagation, la transmission ou l'éruption de pathogènes, maladies, virus ou autres contagions, y compris, sans s'y limiter, la COVID-19.

L'ACHETEUR CONVIENT QUE LE VENDEUR SERA EN AUCUN CAS RESPONSABLE DES COÛTS DE TRAITEMENT, DES PERTES DE REVENUS OU DE PROFITS, DES PERTES D'ACHALANDAGE OU D'AUTRES DOMMAGES SPÉCIAUX, INDIRECTS OU CONSÉCUTIFS DE TOUTE SORTIE DÉCOULANT DE L'ACHAT DES PRODUITS OU DE L'UTILISATION DE TOUT PRODUIT PAR L'ACHETEUR, QU'ILS SOIENT LE RÉSULTAT DU NON-RESPECT DE LA GARANTIE, D'UNE NON-CONFORMITÉ AUX SPÉCIFICATIONS DE COMMANDE, DE RETARDS DE LIVRAISON OU DE TOUTE AUTRE PESTE SUBIE PAR L'ACHETEUR. LA GARANTIE SUPPLÉMENTAIRE EN OPTION L'ACHETEUR PEUT SE PROCURER AUPRÈS DU VENDEUR UNE GARANTIE SUPPLÉMENTAIRE RELATIVE AUX PRODUITS QUI PROLONGERA LA PÉRIODE DE GARANTIE APPLICABLE QUI EST ÉTABLIE DANS LES CONDITIONS EXPRESSES DÉCRITES DANS L'ACCORD DE GARANTIE SUPPLÉMENTAIRE. LES CONDITIONS D'UNE TELLE GARANTIE SUPPLÉMENTAIRE PEUVENT COMPRENDRE UNE PÉRIODE SUPPLÉMENTAIRE DE QUATRE (4) ANS SUR CERTAINS COMPRESSEURS, UNE GARANTIE SUPPLÉMENTAIRE DE CINQ (5) ANS SUR « toutes les pièces », une période supplémentaire de quatre (4) ans sur certains compresseurs, une garantie supplémentaire de conditions de garantie supplémentaires que le Vendeur peut accepter d'offrir à ses clients de temps à autre.

GARANTIE COMMERCIALE

La présente garantie (« Garantie ») s'applique aux

Produits (tels qu'ils sont définis ci-dessous) vendus par Modine Manufacturing Company, une entreprise du Wisconsin (le

Vendeur «) à vous

(l'« Acheteur »).

Durant la Période de garantie applicable (telle que définie ci-dessous), le Vendeur garantit par les présentes que ses Produits seront exempts de défauts de matériaux et de fabrication en usine dans des conditions normales d'utilisation et d'entretien, assujettie aux EXCLUSIONS ci-dessous et conformément aux conditions établies dans la présente Garantie.

Si le Vendeur reçoit un avis écrit d'une violation à la présente Garantie avant la fin de la Période de garantie applicable (et un tel avis doit comprendre les numéros de modèle et de série du Produit, ainsi que la date et une description raisonnablement détaillée de la sollicitant défaillance), l'Acheteur, après avoir obtenu l'approbation écrite du Vendeur, retournera au Vendeur le Produit ou le composant du produit en question en prépayant les frais d'envoi; si, après examen du Produit ou du composant de ce dernier par le Vendeur, il est déterminé que l'article est défectueux, le Vendeur, à sa discrétion et sans aucuns frais pour l'Acheteur, réparera le Produit, remplacera les pièces défectueuses du Produit ou offrira une unité de rechange complète du Produit; à condition que la période de garantie ait été installée ne dépasse pas la Période de garantie applicable d'origine, de même que des pièces de rechange fournies pour un Produit ne seront pas couvertes par la garantie au-delà de la Période de garantie applicable du Produit; de façon similaire, si le Vendeur fournit une unité de rechange complète pour le Produit, la période de garantie de l'unité de rechange se limite au reste de la Période de garantie applicable d'origine. Le Vendeur ne sera pas responsable de l'installation, de l'entretien, de la main-d'œuvre sur le terrain, des frais d'expédition et de manutention ou des autres frais et coûts, à l'exception de ce qui est spécifiquement prévu dans la présente Garantie. L'Acheteur n'aura pas de recours en vertu des présentes si une pièce défectueuse est retournée dans l'autorisation écrite préalable du Vendeur, tel que décrit ci-dessus.

Pour les besoins de la présente Garantie et assujetti aux exclusions décrites ci-dessous, le terme « Produits » signifie des pièces ou de l'équipement fabriqués par le Vendeur, vendus à l'Acheteur en vertu d'un contrat d'achat conclu entre l'Acheteur et le Vendeur (initié le plus souvent par un bon de commande émis par l'Acheteur et accepté par le Vendeur), qui sont expressément décrits dans un tel contrat. Le terme « Produits » ne comprend pas les pièces ou l'équipement de tiers fournis par le Vendeur, sauf s'ils peuvent être cédés, auquel cas, le Vendeur cédera à l'Acheteur les avantages (ainsi que les limites) de la garantie du fabricant tiers pour ces pièces ou cet équipement. La présente Garantie ne s'applique qu'au contrat d'achat d'origine entre l'Acheteur et le Vendeur et elle ne peut pas être transférée, sauf qu'elle peut être cédée à un Utilisateur final autorisé (tel que défini ci-dessous). Toutes les pièces et tous les équipements remplacés deviennent la propriété de l'Acheteur. Pour les besoins de la présente Garantie, le terme « Période de garantie applicable » signifie la période de garantie établie dans le tableau ci-dessous pour chaque type ou chaque catégorie de Produit décrits dans le tableau; à condition que, lorsqu'un Produit sera utilisé comme composant Vendu, nonobstant toute disposition contraire dans le tableau ci-dessous. Pour les besoins de la présente Garantie, le terme « Utilisateur final autorisé » signifie un tiers qui achète le Produit directement ou indirectement de l'Acheteur pour l'usage de l'Utilisateur final autorisé dès la première installation du Produit et non pour la revente.

EXCLUSIONS ET LIMITES : La présente Garantie est assujettie aux exclusions et limites suivantes :

Le terme « Produits » ne comprend pas et la présente Garantie ne s'applique pas à l'un ou l'autre des articles suivants : les gaz frigorigènes, courroies, filtres, fusibles et autres articles consommés ou usés dans le cadre d'une usure normale.

De plus, la présente Garantie ne s'applique pas :

(1) aux produits ou composants de ces derniers qui sont endommagés ou défavorablement affectés par des conditions hors du contrôle du Vendeur, y compris, sans s'y limiter, des matières polluées, contaminées ou étrangères se trouvant dans l'air ou l'eau utilisés pour le refroidissement de l'échangeur thermique (condenseur) ou si la défaillance de la pièce est causée par une alimentation inadéquate en air ou en eau ou par la puissance inappropriée de l'alimentation électrique;

(2) aux produits ou composants de ces derniers qui ont été réparés ou modifiés de quelque façon à l'extérieur de l'usine du Vendeur, ou qui ont été autrement soumis à des réparations ou modifications non autorisées de manière à, selon l'avis du Vendeur, affecter la durabilité ou la performance du Produit;

(3) aux matériaux ou à la main-d'œuvre de toute sorte non fournis par le Vendeur, ou aux frais liés à une telle main-d'œuvre ou de tels matériaux, que la main-d'œuvre, les matériaux ou les frais s'y rapportant résultent d'un remplacement de pièces, d'ajustements, de réparations ou de tout autre travail effectué par une partie autre que le Vendeur;

(4) à la main-d'œuvre ou aux autres frais encourus pour le diagnostic, la réparation, le retrait, l'installation, l'expédition, l'entretien ou la manipulation de pièces défectueuses ou de rechange; réinstallation à un autre endroit;

(6) aux produits ou composants de ces derniers qui ont été utilisés, entretenus ou réparés contrairement aux directives écrites d'installation, de fonctionnement ou d'entretien ou au manuel d'utilisation du Vendeur;

(7) aux dommages découlant de l'utilisation au moyen d'une alimentation en eau ou en air inadéquate ou interrompue;

(8) aux Produits ou composants de ces derniers qui ont été soumis à une mauvaise utilisation, de la négligence, une installation défectueuse, un entretien inadéquat, un accident, un choc thermique excessif, une humidité excessive, des dommages physiques, un impact, de l'abrasion, un mauvais fonctionnement ou toute autre condition de fonctionnement qui dépasse ou qui est contraire à celles pour lesquelles l'équipement a été conçu;

(9) en ce qui concerne les unités au gaz ou au mazout, tous les Produits ou les composants de ces derniers si l'alimentation vers le Produit dépasse la puissance nominale (indiquée sur la plaque signalétique du Produit) de plus de cinq pour cent (5 %);

(10) aux Produits ou composants de ces derniers qui, selon l'avis du Vendeur, ont été installés dans une atmosphère corrosive, une application marine ou côtière, soumis à des liquides ou gaz corrosifs no endommagés ou affectés négativement par les effets des propriétés physiques ou chimiques de l'eau ou de la vapeur ou des autres liquides ou gaz utilisés dans les Produits ou les composants de ces derniers;

(11) aux dommages ou à l'échec du démarrage découlant d'une mauvaise tension, de fusibles grillés, de disjoncteurs ouverts ou de toute autre insuffisance ou interruption du service électrique ou de l'approvisionnement en carburant; ou

PAGE VIERGE

PAGE VIERGE

PAGE VIERGE

NUMÉRO DE SÉRIE ET DE MODÈLE ET PIÈCES DE RECHANGE

Figure 27.1 - Composition du numéro de modèle (ouvrir le panneau d'accès)

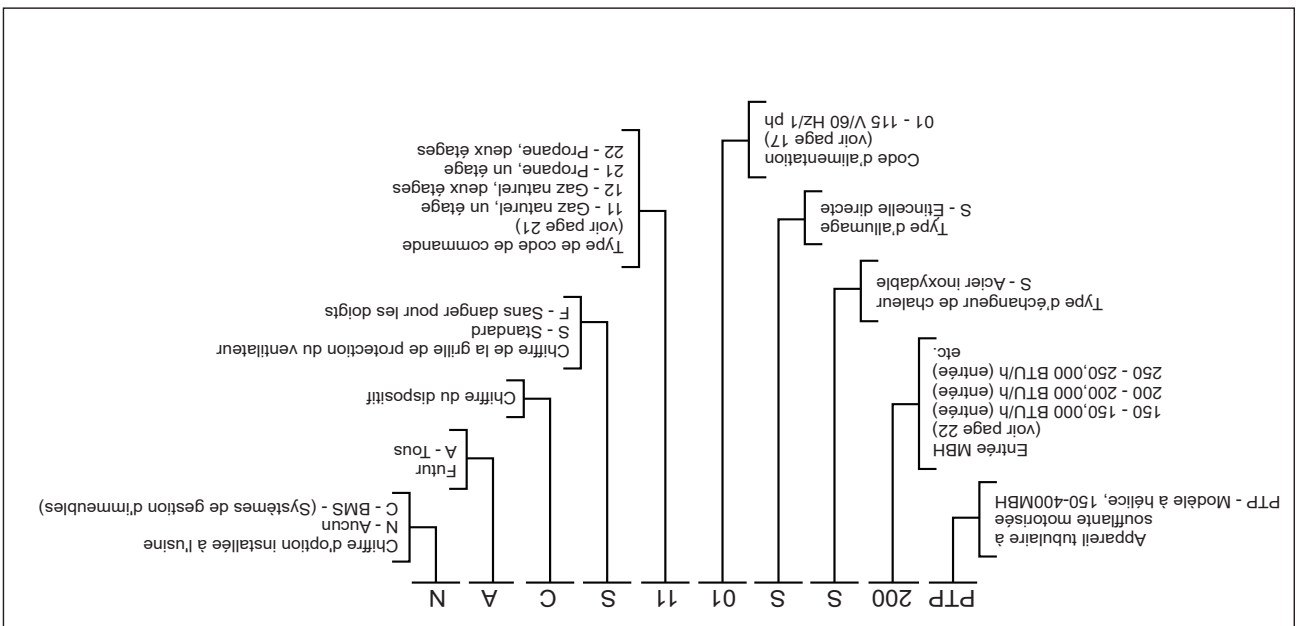
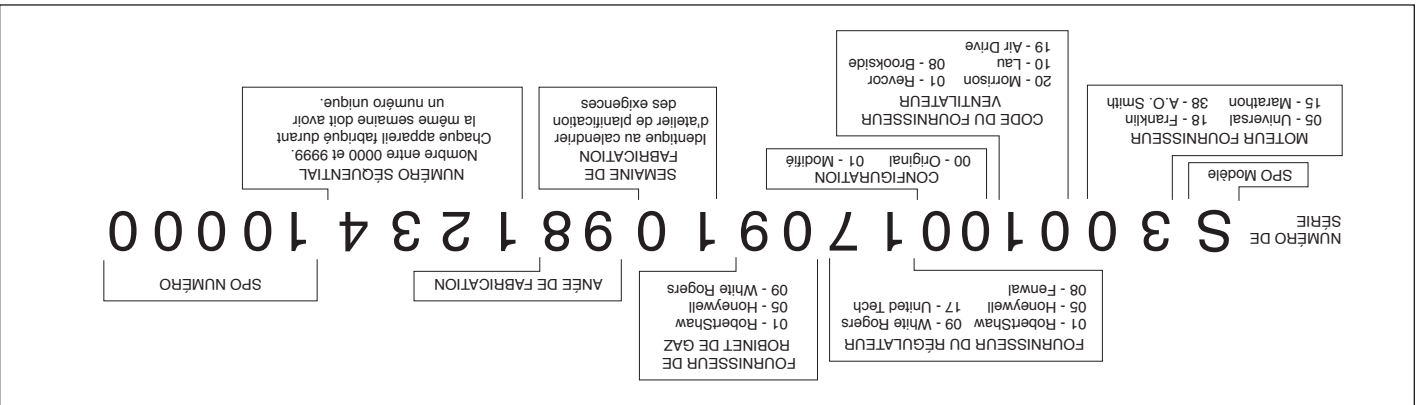


Figure 27.2 - Composition du numéro de série (retirez le panneau d'accès)



Pièces de rechange

Pour commander des pièces, adressez-vous à votre représentant local. Vous aurez besoin du numéro de modèle complet et du numéro de série. Si vous avez besoin d'aide pour localiser votre représentant, appelez au numéro qui figure sur la dernière page du manuel.

AVERTISSEMENT

Pour l'entretien et les réparations de cet appareil, utilisez uniquement des pièces d'origine certifiées. Pour la liste complète des pièces de rechange, adressez-vous au fabricant. Le numéro de modèle complet, le numéro de série et l'adresse du fabricant figurent sur la plaque signalétique fixée à l'appareil. Toute substitution de pièce ou de commande non approuvée par le fabricant sera aux risques du propriétaire.

ATTENTION

1. L'entretien et les réparations de l'appareil doivent être confiés à un centre de SAV qualifié.

2. Ne tentez pas de réutiliser un contrôleur mécanique ou électronique qui a été mouillé. Remplacez tout contrôleur défectueux.

REMARQUE : Pour essayer la plupart des Solutions possibles suggérées dans le tableau de dépannage 26.1, reportez-vous aux sections correspondantes du manuel.

Maintenance générale

L'appareil et le système d'évacuation des gaz doivent être vérifiés une fois par an par un technicien d'entretien qualifié.

Toutes les opérations d'installation et d'entretien doivent être confiées à une entreprise qualifiée.

Avant toute intervention d'entretien, assurez-vous de fermer le robinet d'arrêt manuel, SITUÉ EN AMONT DU RÉGULATEUR DE GAZ COMBINÉ, ET COUPEZ L'ALIMENTATION ÉLECTRIQUE DE L'APPAREIL.

1. Entretien annuel des composants de transport de l'air.

a. Vérifiez que l'hélice du ventilateur est bien fixée sur l'arbre du moteur et que ses pales ne sont pas endommagées.

2. L'appareil doit être nettoyé de toute accumulation de poussière, saleté,

Tableau 26.1 - Dépannage

SYMPTÔMES	CAUSE POSSIBLE	SOLUTION POSSIBLE
L'appareil ne fait rien	1. Pas d'alimentation électrique 2. Pas de courant 24 V au thermostat 3. Thermostat défectueux	1. Mettez l'alimentation principale sous tension 2. a. Vérifiez le transformateur de commande b. Si le transfo est grillé - vérifiez le calibre et la longueur des fils 3. a. Vérifiez les connexions des bornes R et W seulement du thermostat b. Vérifiez / remplacez le thermostat 4. Vérifiez le code de clignotement de la diode 5. Remplacez le fusible 6. Remplacez le contrôleur
DEL éteinte ou clignotante	1. Fusible grillé sur la carte contrôleur 2. Causes multiples	1. Remplacez le fusible 2. Code de clignotement DEL de la carte contrôleur varie avec le type de contrôleur. Un décalque est installé sur l'appareil avec la description des codes applicables pour l'appareil de chauffage. Pour plus de détails, consultez la fiche technique de la carte contrôleur, qui est fournie avec ce manuel.
L'appareil démarre mais le gaz ne s'allume pas	1. Gaz principal fermé 2. Poche d'air dans le tuyau 3. Pression conduite principale ou collecteur 4. Vérifiez le robinet d'arrêt manuel.	1. Ouvrez le robinet d'arrêt manuel. 2. Purgez le tuyau de gaz. 3. Réglez les pressions de gaz selon les instructions du manuel. 4. Ouvrez le robinet d'arrêt de gaz.
Le cycle d'allumage se déroule normalement mais les brûleurs s'éteignent en moins de 10 secondes	1. Branchement du secteur électrique inversé 2. L'appareil n'est pas à la terre 3. Flamme non détectée	1. Fil noir = PHASE, fil blanc = NEUTRE, fil vert = TERRE 2. Rectifiez la mise à la terre et mesurez sa résistance. 3. Vérifiez la sonde et les connexions du détecteur.
Ventilateur de circulation d'air défectueux	1. Connexions mal serrées 2. Carte contrôleur défectueuse 3. Moteur soufflante défectueux	1. Vérifiez toutes les connexions 2. Vérifiez la feuille technique de la carte contrôleur et son fonctionnement 3. Vérifiez le moteur soufflante

graisse et matières étrangères, avec une attention particulière portée aux éléments suivants :

a. Entrées d'air de combustion.

b. Brûleurs et leurs orifices calibrés. Fermez le gaz en amont du régulateur combiné et coupez l'alimentation électrique de l'appareil. Retirez le panneau d'accès, ouvrez le raccord union de la conduite de gaz et déconnectez les fils de l'allumeur et du détecteur. Enlevez les vis qui retiennent le plateau des brûleurs sur la plaque de tête et sortez le plateau des brûleurs et l'ensemble collecteur. Nettoyez soigneusement les brûleurs avec une brosse métallique ou un moyen similaire. Remplacez tout brûleur ou orifice calibré endommagé ou présentant des signes de détérioration. Réinstallez l'ensemble de brûleurs sur la plaque de tête en vous assurant de bien serrer les vis, les raccords et les connexions électriques.

ATTENTION : Manipulez l'allumeur et le détecteur de flamme avec précaution.

1. Inspectez le détecteur de flamme et l'allumeur en recherchant les détériorations et les fissures.

2. Vérifiez que les brûleurs se touchent aux points de transmission. Ces points assurent la transmission de la flamme d'un brûleur à l'autre.

c. Nettoyez l'extérieur des tubes de l'échangeur.

d. Pales du ventilateur.

3. Assurez-vous qu'il n'y a pas de connexions desserrées.

4. La propreté générale et l'étanchéité des robinets et des tuyauteries de gaz doivent être vérifiées chaque année. Les commandes de gaz doivent être vérifiées afin de s'assurer que l'appareil fonctionne bien. Lisez les instructions d'entretien séparées, fournies avec l'appareil.

5. Les roulements du moteur d'extraction sont lubrifiés à vie et ne nécessitent aucun graissage supplémentaire. Si l'atmosphère est poussiéreuse, il faudra peut-être nettoyer l'intérieur des moteurs et les carters de soufflerie en dirigeant un jet d'air comprimé dans les passages de refroidissement du moteur.

6. Les filtres à toile métallique d'entrée et de sortie doivent être périodiquement nettoyés.

DIMENSIONS – MODÈLE BTP

Modèles à soufflante – Modèle BTP

Figure 25.1 - Plans cotés

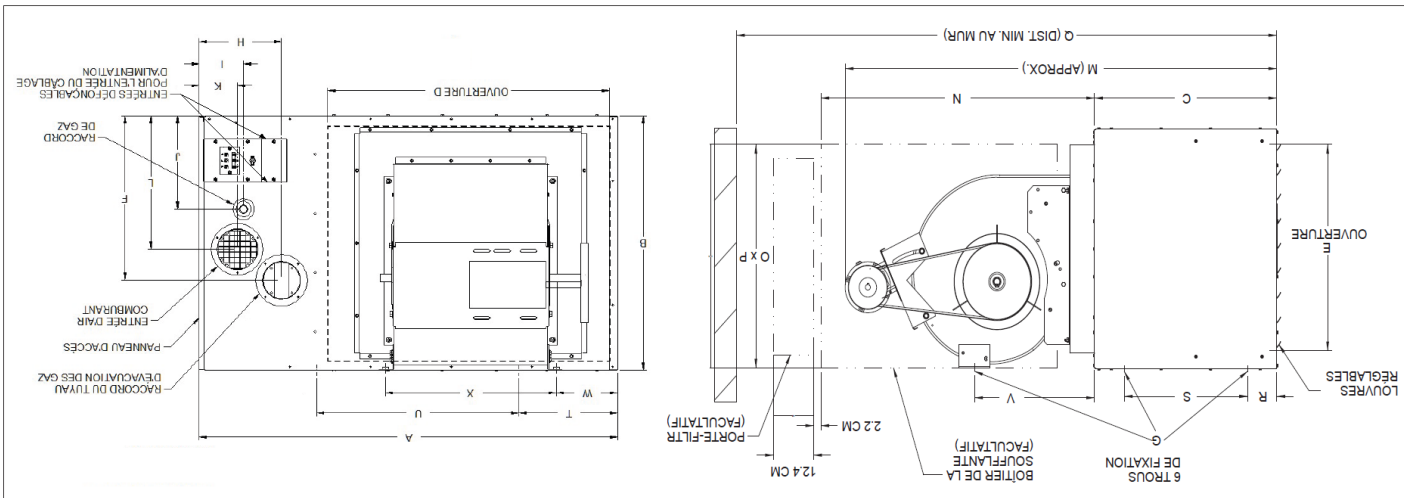


Tableau 25.2 - dimensions (pouces) – BTP

Modèles	BTP150	BTP175	BTP200	BTP250	BTP300	BTP350	BTP400
A	35,53	42,53	42,53	42,53	42,53	42,53	42,53
B	23,06	25,81	25,81	31,31	31,31	39,56	39,56
C	22,05	22,05	22,05	22,05	22,05	22,05	22,05
D	22,52	29,52	29,52	29,52	29,52	29,52	29,52
E	21,18	23,93	23,93	24,46	24,46	32,17	37,17
F	15,33	16,70	16,70	19,45	19,45	23,58	23,58
G (trou de montage) ①	3/8-16	3/8-16	3/8-16	3/8-16	3/8-16	3/8-16	3/8-16
H	8,37	8,37	8,37	8,37	8,37	8,37	8,37
I	4,50	4,50	4,50	4,50	4,50	4,50	4,50
J	8,09	9,47	9,47	6,72	6,72	10,84	10,84
K	3,87	3,87	3,87	5,20	5,20	5,20	5,20
L	12,17	13,55	13,55	12,66	12,66	16,78	16,78
M ②	52,25	52,19	52,19	58,88	58,88	58,88	58,88
N	33,18	33,90	33,90	39,88	39,88	39,88	39,88
O	23,90	24,13	24,13	27,04	27,04	28,57	28,57
P	24,77	24,52	24,52	27,19	27,19	28,28	28,28
Q (avec boîte de souffl. et porte-filtre)	73,04	73,70	73,70	79,68	79,68	79,68	79,68
Q (sans boîte de souffl. et porte-filtre)	64,25	64,19	64,19	70,88	70,88	70,88	70,88
R	3,56	3,56	3,56	3,56	3,56	3,56	3,56
S	14,90	14,90	14,90	14,90	14,90	14,90	14,90
T	10	10	10	10	10	10	10
U	13,54	20,53	20,53	20,53	20,53	20,53	20,53
V	14,52	14,52	14,52	18,04	18,04	18	18
W	3,27	7,15	7,15	4,77	4,77	5,24	5,24
X	17,38	17,38	17,38	20,38	20,38	20,38	20,38
Raccordement de gaz	1/2	1/2	1/2	3/4	3/4	3/4	3/4
taille du connecteur d'évacuation des gaz	4 po	4 po	4 po	6 po	6 po	6 po	6 po
Soufflante	12-12	12-12	12-12	15-15	15-15	15-15	15-15
Poids d'expédition approximatif (lb)	220	275	280	340	345	395	405

① Le diamètre de trou et les filets par pouce pour accepter la tige filetée sont indiqués.

② Dimension approximative pour tous les moteurs de série; complétez 7,5 cm pour les moteurs à roue à gorge et en option.

DIMENSIONS – MODÈLE PTP

Modèles à hélice - Modèle PTP

Figure 24.1 - Plans cotés

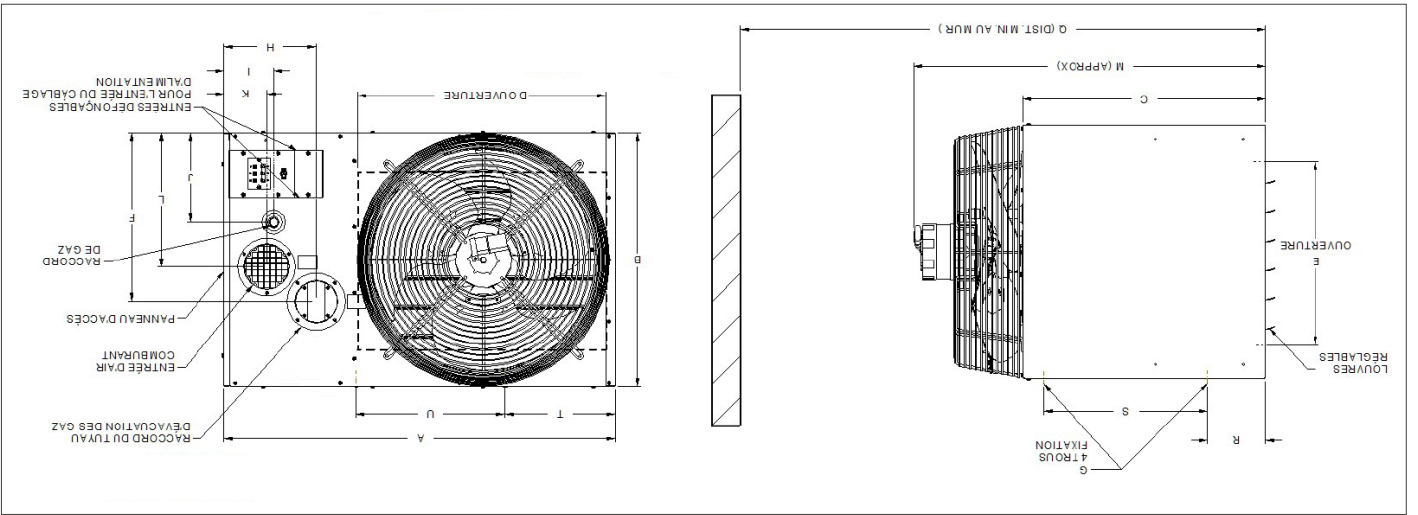


Tableau 24.2 - Dimensions (pouces) - PTP ①

Modèles	A	B	C	D	E	F	G (trou de montage) ②	H	I	M	Q ③	R	S	T	U	Raccordement de gaz	Dimension du conduit de raccordement	Diamètre de ventilateur	Poids d'expédition approximatif (lb)
PTP400	42,53	39,56	22,05	29,52	32,71	23,58	3/8-16	8,37	4,50	34,83	46,83	3,56	14,90	10	20,53	3/4	6 po	26,13	320
PTP350	42,53	39,56	22,05	29,52	32,71	23,58	3/8-16	8,37	4,50	34,83	46,83	3,56	14,90	10	20,53	3/4	6 po	24	310
PTP300	42,53	31,31	22,05	29,52	24,46	19,45	3/8-16	8,37	4,50	33,83	45,83	3,56	14,90	10	20,53	3/4	6 po	22	270
PTP250	42,53	31,31	22,05	29,52	24,46	19,45	3/8-16	8,37	4,50	33,83	45,83	3,56	14,90	10	20,53	3/4	6 po	22	265
PTP200	42,53	25,81	22,05	29,52	18,95	16,70	3/8-16	8,37	4,50	34,43	46,43	3,56	14,90	10	20,53	1/2	4 po	22	220
PTP175	42,53	25,81	22,05	29,52	18,95	16,70	3/8-16	8,37	4,50	32,83	44,83	3,56	14,90	10	20,53	1/2	4 po	22	210
PTP150	35,53	23,06	22,05	22,52	16,20	15,33	3/8-16	8,37	4,50	31,79	43,79	3,56	14,90	10	13,54	1/2	4 po	20	165
PTP125	35,53	23,06	22,05	22,52	16,20	15,33	3/8-16	8,37	4,50	31,79	43,79	3,56	14,90	10	13,54	1/2	4 po	20	165

① N'utilisez pas les modèles à hélice avec des gaines. ② Le diamètre de trou et les filets par pouce pour accepter la tige filetée sont indiqués. ③ Dimension égale hors-tout plus 30,5 cm.

DONNÉES DE PERFORMANCE – HOTTES DE DÉFLEXION

Figure 23.1 - Hottes de déflexion vers le bas à 30°, 60° et 90°

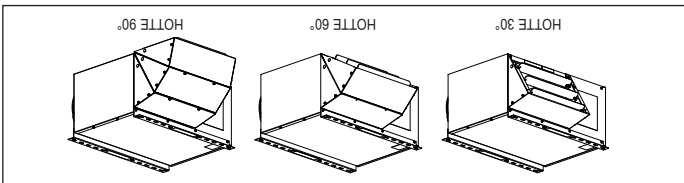


Figure 23.2 - Couverture du sol/portée à 30° et 60°

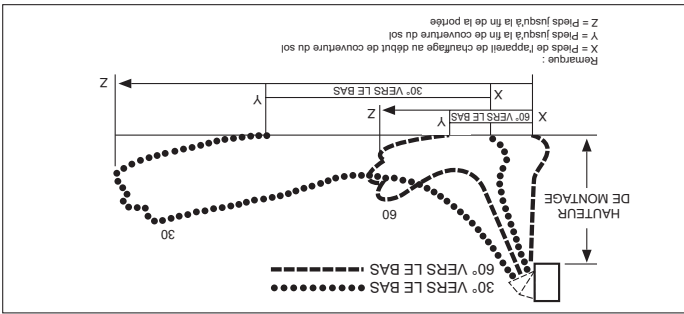


Tableau 23.1 - Données de performance générale de la hotte de déflexion - Modèle BTP

Taille de modèle	Débit d'air temp.	Hauteur de montage	Angle de lame	Hotte 30°			Hotte 60°			Hotte 90°		
				X	Y	Z	X	Y	Z	X	Y	Z
150	2020	55	55	12	37	10	25	35	0	25	34	17
175	2357	55	55	10	39	8	22	31	0	22	30	15
200	2694	55	55	12	35	10	25	34	0	24	33	17
250	3367	55	55	12	39	11	27	37	0	27	37	18
300	4040	55	55	10	57	16	36	50	0	38	52	26
350	4714	55	55	14	47	14	33	45	0	33	46	22
400	5387	55	55	18	37	14	34	48	0	34	47	23

Remarque : Reportez-vous aux figures 23.2 et 23.3.

Remarque : Reportez-vous aux figures 23.2 et 23.3.

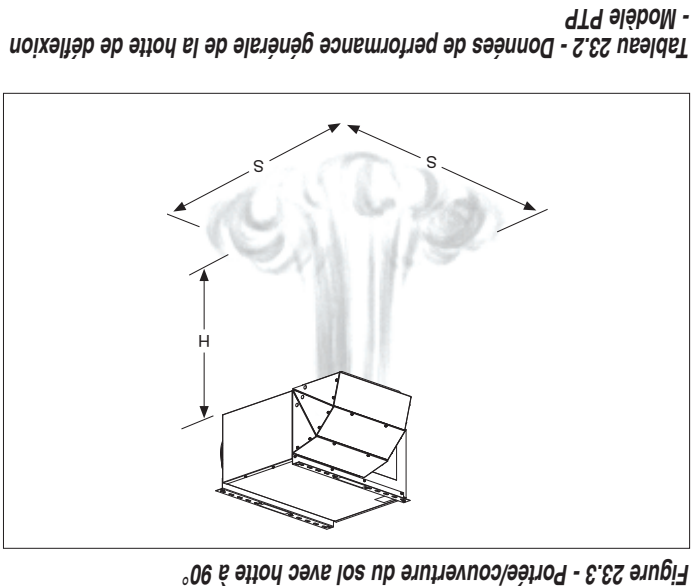


Tableau 23.2 - Données de performance générale de la hotte de déflexion - Modèle PTP

Taille de modèle	Débit d'air temp.	Hauteur de montage	Angle de lame	Hotte 30°			Hotte 60°			Hotte 90°		
				X	Y	Z	X	Y	Z	X	Y	Z
150	2139	53	53	10	31	12	29	40	0	29	40	19
175	2726	48	48	8	32	14	30	42	0	32	44	22
200	2780	52	52	14	24	11	27	37	0	26	36	18
250	3994	47	47	16	37	14	46	53	0	40	54	26
300	4543	50	50	14	51	18	42	57	0	43	59	28
350	5278	50	50	16	48	16	45	55	0	45	62	30
400	5995	51	51	18	47	18	44	54	0	47	64	33

DONNÉES DE PERFORMANCE GÉNÉRALE – MODÈLES PTP ET BTP

Tableau 22.1 - Données de performance générale du modèle PTP à soufflante

Tailles de modèle PTP		150	175	200	250	300	350	400
Apport calorifique BTU/h ①		150 000	175 000	200 000	250 000	300 000	350 000	400 000
Chaleur produite BTU/h ①		123 000	143 500	164 000	207 500	249 000	290 500	332 000
Air entrant (p1/min) à 70 °F		2140	2725	2870	3995	4545	5280	5995
Vitesse de sortie (p1/min)		711	607	643	721	824	748	851
Augmentation temp. air (°F)		53	48	52	47	50	50	51
Hauteur max. de montage (p1) ②		15	14	15	18	19	18	21
Portée thermique (p1) à haut max. de montage ③		51	50	53	62	69	65	74
Type de moteur ④		PSC	PSC	PSC	PSC	PSC	PSC	PSC
Puissance moteur		1/6	1/6	1/3	1/3	1/2	1/2	3/4
Régime moteur (tr/min)		1075	1075	1075	1075	1075	1125	1125

Tableau 22.2 - Données de performance générale du modèle BTP à soufflante

Modèle BTP Tailles		150		175		200		250		300		350		400	
Apport calorifique BTU/h ①		150,000	175,000	200,000	250,000	300,000	350,000	400,000							
Chaleur produite BTU/h ①		123,000	143,500	164,000	205,000	246,000	287,000	328,000							
Air entrant (CFM) à 70 °F		1587	2020	2778	1852	2357	3241	2116	2694	3704	2646	3367	4630	3175	4040
Vitesse de sortie (p1/min)		543	674	903	428	531	711	489	607	813	497	617	826	596	740
Augmentation temp. air (°F)		70	55	40	70	55	40	70	55	40	70	55	40	70	55
Hauteur max. de montage (p1) ②		9	13	21	8	11	18	9	13	21	10	14	22	11	16
Portée thermique (p1) à haut max. de montage ③		33	47	75	28	40	65	32	46	74	34	48	78	40	58

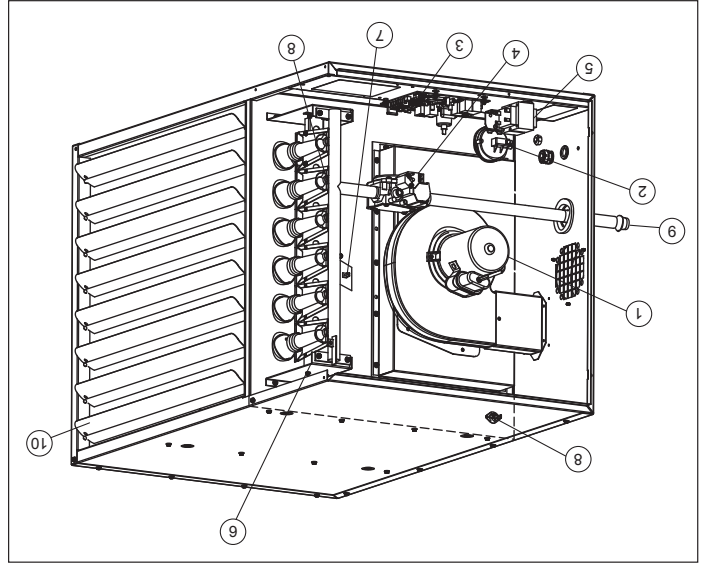
① Les valeurs nominales indiquées correspondent à une altitude de 609 m maximum. Au-delà, elles doivent être réduites de 4 % tous les 300 m au-dessus du niveau de la mer. (Au Canada, consultez la plaque signalétique.) La réduction des valeurs nominales exige l'utilisation d'un ensemble pour haute altitude.
 ② Données relevées à une hausse de température de l'air de 12 °C. À une température ambiante de 18 °C, avec l'appareil à entrée nominale maximum. Hauteur de montage mesurée du bas de l'appareil et sans hotes de déflexion. Pour les appareils équipés de hotes de déflexion, voir page 23.

SEQUENCE FONCTIONNELLE DE SYSTEME DE COMMANDE

SEQUENCE FONCTIONNELLE DE SYSTEME DE COMMANDE

Lorsque le thermostat détecte une demande de chaleur, le moteur de la soufflante d'extraction démarre. L'appareil effectue un cycle de purge avant que l'allumeur direct par étincelle soit mis sous tension. En même temps, la soupape principale du régulateur combiné s'ouvre pour laisser le gaz passer vers les brûleurs. Si le moteur du ventilateur ne tourne pas encore, il demarrera peu après. Si une flamme n'est pas détectée dans les

Figure 21.1 - Principaux composants des circuits de gaz, électriques, de sécurité et autres



1. Extracteur
2. Pressostat (caché)
3. Tableau de commande à allumage direct par étincelle intégré
4. Commande de gaz mixte
5. Transformateur du contrôleur
6. Détecteur de flamme (caché)
7. Limiteur à réarmement automatique (caché)
8. Allumeur direct à étincelles
9. Tuyau de raccordement au gaz
10. Lames de déflecteur d'air horizontales

Tension de commande de service	Tension de commande	Code contrôleur	Type de gaz	Description du système de commande
115 V	24 V	11	Naturel	Allumage direct par étincelle mono-étage, arrêt 100 % avec essais continus
		21	Propane	Utilise un régulateur de gaz combiné monophasé avec commande d'allumage. Le gaz est enflammé par un allumeur direct à étincelles lorsqu'il y a demande de chaleur.
		12	Naturel	Allumeur direct à étincelles, deux étages, arrêt 100 %, allumage continu
		22	Propane	Utilise un régulateur de gaz à deux étages avec contrôleur d'allumage intégré. Le taux d'allumage est de 100 % et de 50 % du plein régime nominal. Le gaz est enflammé par un allumeur direct à étincelles lorsqu'il y a demande de chaleur.

Tableau 21.2 - Commandes de gaz - Tous les modèles

7 secondes qui suivent pour une raison quelconque, le robinet principal se ferme et il y aura une courte période de purge avant toute nouvelle tentative d'allumage. Si une flamme n'est pas détectée après quatre tentatives, il s'écoule au moins une heure avant une nouvelle tentative d'allumage.

IMPORTANT

- Pour éviter une détérioration prématurée de l'échangeur de chaleur, l'apport calorifique du gaz utilisé ne doit pas excéder de plus de 5 % la valeur nominale inscrite sur la plaque signalétique de l'appareil.
- Les procédures de démarrage et de réglage doivent être confiées à un centre de SAV qualifié.

Bien que l'appareil ait été assemblé et testé à chaud en usine, il est recommandé d'effectuer les vérifications préopératoires suivantes pour vous assurer que tout fonctionne normalement après l'installation.

1. Isoler l'appareil de toute alimentation électrique en ouvrant le sectionneur. Vérifiez que les disjoncteurs ou les fusibles sont en place et d'un calibre approprié. Fermez tous les robinets d'arrêt de gaz.
2. Ouvrez le panneau d'accès aux commandes sur le côté de l'appareil.
3. Vérifiez que la tension du secteur correspond à la tension nominale de l'appareil inscrite sur la plaque signalétique. Assurez-vous que tous les câblages sont bien fixés et convenablement protégés. Suivez chaque circuit pour vous assurer qu'il est conforme au schéma de câblage. Si l'appareil est installé à plus de 2000 pieds et que l'ensemble pour haute altitude inclut un interrupteur de contrôle d'air de combustion, remplacez l'interrupteur de l'appareil par celui fourni dans l'ensemble. Assurez-vous que le tube et les branchements électriques sont solidement fixés.
4. Vérifiez que le système d'évacuation des gaz est correctement installé et n'est pas obstrué. Avant de commencer, suivez les étapes suivantes afin de vous assurer que le système d'évacuation est correctement dimensionné :

- a. Obtenez toutes les ouvertures inutilisées du système d'évacuation.
- b. Inspectez le système d'évacuation pour vérifier que les diamètres et la pente des tuyaux sont conformes aux normes ANSI Z223.1 (NFPA 54) ou au Code d'installation CSA B149.1, dernière édition, et aux présentes instructions. Déterminez s'il n'y a pas d'obstructions, de restriction, de fuite, de corrosion ou d'autres défauts pouvant créer un risque.

- c. Dans la mesure du possible, fermez toutes les portes et fenêtres du bâtiment, ainsi que les portes de communication entre les espaces d'évacuation, et les autres zones du bâtiment. Mettez en marche au régime maximum les sècheuses de linge et tous les ventilateurs, comme les hottes aspirantes, les ventilateurs de salle de bains, etc. Ne faites pas fonctionner la ventilation d'été. Fermez les registres des foyers.
- d. Suivez les instructions d'allumage. Faites fonctionner l'appareil à inspecter. Réglez le thermostat de manière que l'appareil chauffe en continu.
- e. Après avoir déterminé que chaque appareil relié au système d'évacuation fonctionne correctement dans les conditions décrites ci-dessus, remettez les portes et les fenêtres, les ventilateurs, les registres de cheminée et tout autre appareil au gaz dans leurs états antérieurs.
- f. Si les essais révèlent un mauvais fonctionnement du système d'évacuation, il faut prendre les mesures correctives nécessaires.
5. Vérifiez qu'il n'y a pas d'obstacles devant la prise d'air et la sortie d'air chaud.
6. Vérifiez que le ventilateur est libre. Le ventilateur doit tourner librement à la main sans rien toucher.
7. Vérifiez que tous les filtres sont en place et correctement installés en respectant la direction de l'air (s'il y a lieu).
8. Effectuez une inspection visuelle de l'appareil et assurez-vous qu'il n'a pas été endommagé au cours de l'installation. Assurez-vous que toutes les attaches sont en place et que les orifices du brûleur sont correctement alignés sur les tubes de l'échangeur de chaleur et que les orifices à gaz sont centrés sur l'ouverture du tube inspirateur du brûleur.

Réglage du brûleur principal

Le régulateur de pression du gaz (à l'intérieur du régulateur combiné) a été réglé en usine pour des caractéristiques moyennes de gaz. Il est essentiel que l'alimentation du brûleur soit conforme aux conditions indiquées sur la plaque signalétique. Ces conditions doivent être vérifiées et les réglages nécessaires, effectués après l'installation de l'appareil. Une puissance calorifique excessive se traduira par une surchauffe permanente réduisant la durée de vie de l'appareil et entraînant des besoins d'entretien accrus. L'entrée ne doit en aucun cas dépasser celle indiquée sur la plaque de série. La pression du collecteur de gaz doit être mesurée au raccord installé à côté du robinet d'arrêt.

Pour régler la pression du collecteur de gaz

1. Tournez le robinet d'arrêt manuel installé sur site sur Arrêt.
2. Retirez le bouchon du raccord 1/8 po pour brancher un manomètre à tube en U dont les branches ont une hauteur d'au moins 30 cm (12 po).
3. Tournez le robinet d'arrêt de gaz manuel installé sur site sur position Marche.
4. Créez un appel thermique pour feu élevé à partir du thermostat.
5. Consultez le tableau 11.1 pour déterminer la pression nominale au collecteur principal pour le type d'appareil. Les pressions entre 0 et 2000 pieds d'altitude sont de 3,5 po C.E. pour le gaz naturel, 10 po C.E. pour le propane, à plus de 2000 pi, reportez-vous aux instructions de raccorderment au gaz – Ensemble d'accessoires pour haute altitude à la page 12. Réglez le ressort du régulateur principal pour qu'il délivre le gaz à la pression correcte (pour savoir comment régler, consultez le manuel du régulateur fourni avec l'appareil).
6. Après ce réglage, fermez le robinet d'arrêt manuel et revisssez le bouchon du raccord de 1/8 po.
7. Ensuite, rouvrez le robinet d'arrêt manuel installé sur site et assurez-vous à nouveau que les bouchons du tuyau ne fuient pas avec de l'eau savonneuse.

DONNÉES DE PERFORMANCE DE LA SOUFFLANTE – MODÈLE BTP

Tableau 19.1 - Modèle à soufflante BTP 250-400 (hausse de température de 15 à 21 °C pour la taille 250) ① ② ③

Table de modèle	ATF	CFM	HP	0		01		02		03		04		05		06		07	
				Régime (tr/min)	Entraine-ment (Tours)	Régime (tr/min)	Entraine-ment (Tours)	Régime (tr/min)	Entraine-ment (Tours)	Régime (tr/min)	Entraine-ment (Tours)	Régime (tr/min)	Entraine-ment (Tours)	Régime (tr/min)	Entraine-ment (Tours)	Régime (tr/min)	Entraine-ment (Tours)	Régime (tr/min)	Entraine-ment (Tours)
250	60	3088	1/2	204	4	204	3	204	3	204	3	204	3	204	3	204	3	204	3
				204	4	204	4	204	4	204	4	204	4	204	4	204	4	204	4
65	2849	1-1/2	2	204	4,5	204	3,5	204	2,5	204	2	204	1,5	204	1	204	0,5	204	0
				204	4,5	204	3,5	204	2,5	204	2	204	1,5	204	1	204	0,5	204	0
40	5556	3	2	112	3	112	2,5	112	2	112	1,5	112	1	112	0,5	112	0	112	0
				112	3	112	2,5	112	2	112	1,5	112	1	112	0,5	112	0	112	0
45	4938	3	2	112	5	112	4,5	112	3,5	112	2,5	112	1,5	112	0,5	112	0	112	0
				112	5	112	4,5	112	3,5	112	2,5	112	1,5	112	0,5	112	0	112	0
50	4444	1-1/2	3	243	2,5	243	1,5	243	0,5	243	0	243	0	243	0	243	0	243	0
				243	2,5	243	1,5	243	0,5	243	0	243	0	243	0	243	0	243	0
60	3704	1-1/2	1	243	5	243	4,5	243	3,5	243	2,5	243	1,5	243	0,5	243	0	243	0
				243	5	243	4,5	243	3,5	243	2,5	243	1,5	243	0,5	243	0	243	0
65	3419	1-1/2	1	240	4	240	3	240	2	240	1,5	240	1	240	0,5	240	0	240	0
				240	4	240	3	240	2	240	1,5	240	1	240	0,5	240	0	240	0
70	2646	1-1/2	2	204	5	204	4,5	204	3,5	204	2,5	204	1,5	204	0,5	204	0	204	0
				204	5	204	4,5	204	3,5	204	2,5	204	1,5	204	0,5	204	0	204	0
70	3704	1-1/2	1	240	3	240	2,5	240	1,5	240	0,5	240	0	240	0	240	0	240	0
				240	3	240	2,5	240	1,5	240	0,5	240	0	240	0	240	0	240	0
80	3204	1-1/2	1	243	5	243	4,5	243	3,5	243	2,5	243	1,5	243	0,5	243	0	243	0
				243	5	243	4,5	243	3,5	243	2,5	243	1,5	243	0,5	243	0	243	0
80	4221	1-1/2	2	250	4	250	3,5	250	2,5	250	1,5	250	0,5	250	0	250	0	250	0
				250	4	250	3,5	250	2,5	250	1,5	250	0,5	250	0	250	0	250	0
80	3889	1-1/2	2	247	5	247	4	247	3	247	2	247	1	247	0	247	0	247	0
				247	5	247	4	247	3	247	2	247	1	247	0	247	0	247	0
70	3704	1-1/2	2	250	5	250	4	250	3	250	2	250	1	250	0	250	0	250	0
				250	5	250	4	250	3	250	2	250	1	250	0	250	0	250	0
40	2707	5	5	245	0,5	245	0	245	0	245	0	245	0	245	0	245	0	245	0
				245	0,5	245	0	245	0	245	0	245	0	245	0	245	0	245	0
45	6584	5	3	245	3	245	2,5	245	1,5	245	0,5	245	0	245	0	245	0	245	0
				245	3	245	2,5	245	1,5	245	0,5	245	0	245	0	245	0	245	0
50	5926	3	3	246	5	246	4,5	246	3,5	246	2,5	246	1,5	246	0,5	246	0	246	0
				246	5	246	4,5	246	3,5	246	2,5	246	1,5	246	0,5	246	0	246	0
55	5387	5	2	246	4	246	3,5	246	2,5	246	1,5	246	0,5	246	0	246	0	246	0
				246	4	246	3,5	246	2,5	246	1,5	246	0,5	246	0	246	0	246	0
60	4938	2	1-1/2	247	3	247	2,5	247	1,5	247	0,5	247	0	247	0	247	0	247	0
				247	3	247	2,5	247	1,5	247	0,5	247	0	247	0	247	0	247	0
65	4558	2	1-1/2	247	4,5	247	3,5	247	2,5	247	1,5	247	0,5	247	0	247	0	247	0
				247	4,5	247	3,5	247	2,5	247	1,5	247	0,5	247	0	247	0	247	0
70	4233	2	1-1/2	247	5	247	4,5	247	3,5	247	2,5	247	1,5	247	0,5	247	0	247	0
				247	5	247	4,5	247	3,5	247	2,5	247	1,5	247	0,5	247	0	247	0
70	4233	2	1-1/2	247	5	247	4,5	247	3,5	247	2,5	247	1,5	247	0,5	247	0	247	0
				247	5	247	4,5	247	3,5	247	2,5	247	1,5	247	0,5	247	0	247	0

Tableau 19.2 - Autres entrainements pour moteurs 208-230/460 V, 3 ph, 1 HP

Modèle	Entrainement 1 HP pour 230/460 V	Entrainement 1 HP pour 257
BTP300	23	244
BTP350	247	248
BTP400	250	251

Tableau 19.3 - Autres entrainements pour moteurs 208-230/460 V, 3 ph, 1-1/2 HP

Modèle	Entrainement 1-1/2 HP pour 230/460 V	Entrainement 1-1/2 HP pour 257
BTP300	23	244
BTP350	247	248
BTP400	250	251

Tableau 19.4 - Autres entrainements pour 575 V

Modèle	Entrainement pour moins de 575 V	Entrainement pour 575 V
BTP300	23	177
BTP350	247	248
BTP400	250	251

① Les sorties correspondent à une altitude de 609 m maximum. Au-delà, la sortie doit être réduite de 4 % tous les 300 m au-dessus du niveau de la mer. (Ne s'applique pas au Canada - voir la plaque signalétique.)
 ② Les régimes d'ouverture de la roue à gorge sont approximatifs. Pour un fonctionnement correct, vérifiez les tableaux (19.2, 3 et 4 le numéro d'entraînement corrigé.)
 ③ Pour les sélections 230/460 V (1 HP et 1-1/2 HP) ou 575 V, voir dans les tableaux 19.2, 3 et 4 le numéro d'entraînement corrigé.

DONNÉES DE PERFORMANCE DE LA SOUFFLANTE – MODÈLE BTP

Tableau 18.1 - Modèle à soufflante BTP 150-250 (hausse de température de 4 à 12 °C pour la taille 250) ① ② ③

Table de modèle	ATN	CFM	HP	Régime		Régime	Etraine- (mm)	Tours	HP																																																																																																																																																
				1-1/2	1-1/2																																																																																																																																																				
0	40	2778	1/2	573	175	4	658	175	3																																																																																																																																																
										0	50	2222	1/8	460	230	1	513	4	566	175	3	612																																																																																																																																			
																							0	45	2469	1/2	510	229	4	558	175	4,5	606	175	4	650																																																																																																																					
																																					0	60	1852	1/8	384	230	0	506	230	1,5	506	230	0	609																																																																																																							
																																																			0	65	1708	1/8	354	230	2	540	230	0,5	540	230	2	592																																																																																									
																																																																	0	70	1587	1/8	329	230	5	467	230	1	525	230	1	580																																																																											
																																																																															0	40	3241	1-1/2	625	175	3	690	175	2,5	727	175	2,5	764																																																													
																																																																																													0	45	2881	1	555	175	5	630	175	3,5	672	175	3	712																																															
																																																																																																											0	50	2593	1-1/2	500	229	4,5	630	175	4,5	673	175	3,5	673																																	
																																																																																																																									0	55	2357	1/8	454	229	2,5	548	175	5	597	175	4	642																			
																																																																																																																																							0	60	2160	1	416	229	5	520	175	4	571	175	4,5	618					
																																																																																																																																																					0	65	1994	1/8	384
0	70	1852	1/8	356	238	5	477	229	5																																																																																																																																																
										0	40	3704	1-1/2	715	235	3,5	770	235	2	736	235	2																																																																																																																																			
																							0	45	2922	1	635	229	1,5	698	175	3	736	175	3	772																																																																																																																					
																																					0	50	2863	1-1/2	571	229	2,5	643	175	4,5	684	229	1,5	723																																																																																																							
																																																			0	55	2694	1/8	519	229	3	600	175	4	644	229	5	686																																																																																									
																																																																	0	60	2469	1-1/2	475	229	5	612	175	4,5	656	229	2	697																																																																											
																																																																															0	65	2279	1-1/2	439	233	4,5	537	233	2	632	233	1,5	697																																																													
																																																																																													0	70	2118	1	407	229	5	513	229	4	565	229	3	612																																															
																																																																																																											0	40	4630	2	542	23	4,5	599	180	3	629	180	4,5	658																																	
																																																																																																																									0	45	4115	1-1/2	482	241	3,5	546	241	2,5	580	241	3,5	613																			
																																																																																																																																							0	50	3704	1-1/2	433	241	4,5	506	241	3	543	241	4,5	578					
																																																																																																																																																					0	55	3687	1-1/2	394
0	250	3704	1-1/2	433	241	4,5	506	241	3																																																																																																																																																
										0	40	4630	2	542	23	4,5	599	180	3	629	180	4,5																																																																																																																																			
																							0	45	4115	1-1/2	482	241	3,5	546	241	2,5	580	241	3,5	613																																																																																																																					
																																					0	50	3704	1-1/2	433	241	4,5	506	241	3	543	241	4,5	578																																																																																																							
																																																			0	55	3687	1-1/2	394	204	3	474	241	4,5	513	241	3,5	551																																																																																									
																																																																	0	60	2469	1-1/2	475	229	5	612	175	4,5	656	229	2	697																																																																											
																																																																															0	65	2279	1-1/2	439	233	4,5	537	233	2	632	233	1,5	697																																																													
																																																																																													0	70	2118	1	407	229	5	513	229	4	565	229	3	612																																															
																																																																																																											0	40	4630	2	542	23	4,5	599	180	3	629	180	4,5	658																																	
																																																																																																																									0	45	4115	1-1/2	482	241	3,5	546	241	2,5	580	241	3,5	613																			
																																																																																																																																							0	50	3704	1-1/2	433	241	4,5	506	241	3	543	241	4,5	578					
																																																																																																																																																					0	55	3687	1-1/2	394
0	60	2469	1-1/2	475	229	5	612	175	4,5																																																																																																																																																
										0	65	2279	1-1/2	439	233	4,5	537	233	2	632	233	1,5																																																																																																																																			
																							0	70	2118	1	407	229	5	513	229	4	565	229	3	612																																																																																																																					
																																					0	40	4630	2	542	23	4,5	599	180	3	629	180	4,5	658																																																																																																							
																																																			0	45	4115	1-1/2	482	241	3,5	546	241	2,5	580	241	3,5	613																																																																																									
																																																																	0	50	3704	1-1/2	433	241	4,5	506	241	3	543	241	4,5	578																																																																											
																																																																															0	55	3687	1-1/2	394	204	3	474	241	4,5	513	241	3,5	551																																																													
																																																																																													0	60	2469	1-1/2	475	229	5	612	175	4,5	656	229	2	697																																															
																																																																																																											0	65	2279	1-1/2	439	233	4,5	537	233	2	632	233	1,5	697																																	
																																																																																																																									0	70	2118	1	407	229	5	513	229	4	565	229	3	612																			
																																																																																																																																							0	40	4630	2	542	23	4,5	599	180	3	629	180	4,5	658					
																																																																																																																																																					0	45	4115	1-1/2	482
0	50	3704	1-1/2	433	241	4,5	506	241	3																																																																																																																																																
										0	55	3687	1-1/2	394	204	3	474	241	4,5	513	241	3,5																																																																																																																																			
																							0	60	2469	1-1/2	475	229	5	612	175	4,5	656	229	2	697																																																																																																																					
																																					0	65	2279	1-1/2	439	233	4,5	537	233	2	632	233	1,5	697																																																																																																							
																																																			0	70	2118	1	407	229	5	513	229	4	565	229	3	612																																																																																									
																																																																	0	40	4630	2	542	23	4,5	599	180	3	629	180	4,5	658																																																																											
																																																																															0	45	4115	1-1/2	482	241	3,5	546	241	2,5	580	241	3,5	613																																																													
																																																																																													0	50	3704	1-1/2	433	241	4,5	506	241	3	543	241	4,5	578																																															
																																																																																																											0	55	3687	1-1/2	394	204	3	474	241	4,5	513	241	3,5	551																																	
																																																																																																																									0	60	2469	1-1/2	475	229	5	612	175	4,5	656	229	2	697																			
																																																																																																																																							0	65	2279	1-1/2	439	233	4,5	537	233	2	632	233	1,5	697					
																																																																																																																																																					0	70	2118	1	407
0	40	4630	2	542	23	4,5	599	180	3																																																																																																																																																
										0	45	4115	1-1/2	482	241	3,5	546	241	2,5	580	241	3,5																																																																																																																																			
																							0	50	3704	1-1/2	433	241	4,5	506	241	3	543	241	4,5	578																																																																																																																					
																																					0	55	3687	1-1/2	394	204	3	474	241	4,5	513	241	3,5	551																																																																																																							
																																																			0	60	2469	1-1/2	475	229	5	612	175	4,5	656	229	2	697																																																																																									
																																																																	0	65	2279	1-1/2	439	233	4,5	53																																																																																	

DONNÉES DE PERFORMANCE DE LA SOUFFLANTE – MODÈLE BTP

Tableau 17.1 - Description du code d'alimentation - Modèle à soufflante BTP - ①

Code d'alimentation	Tension	Phase	BTP150		BTP175		BTP200		BTP250		BTP300		BTP350		BTP400	
			HP	Entraine-ment	HP	Entraine-ment	HP	Entraine-ment	HP	Entraine-ment	HP	Entraine-ment	HP	Entraine-ment	HP	Entraine-ment
01	115	1/4	1	230	-	-	-	-	-	-	-	-	-	-	-	-
02	115/230	1/3	1	230	1/3	238	1/2	233	1/2	204	1	240	1/2	250	1/2	247
08	208-230/460	1/3	3	230	1/3	238	1/2	233	1/2	204	1	257	1/2	251	1/2	248
11	575	1/3	3	231	1/3	239	1/2	233	1/2	204	1	257	1/2	251	1/2	248
13	115/230	1/3	1	232	1/2	229	1	229	1	241	1	241	1/2	247	-	-
19	208-230/460	1/3	3	232	1/2	229	1	259	1	258	1	258	1/2	248	2	177
22	575	1/3	3	233	1/2	229	1	259	1	258	1	258	1/2	248	2	177
24	115/230	1/2	1	229	1	175	1	175	1,5	23	1/2	243	1/2	252	-	-
30	208-230/460	1/2	3	229	1	253	1	253	1,5	177	1/2	244	1/2	180	3	246
33	575	1/2	3	229	1	253	1	253	1,5	177	1/2	244	1/2	180	3	246
35	115/230	1	1	175	1/2	237	1/2	235	-	1/2	23	-	-	-	-	-
41	208-230/460	3	3	253	1/2	234	1/2	236	2	180	1/2	177	2	177	5	245
44	575	3	3	253	1/2	234	1/2	236	2	180	1/2	177	2	177	5	245
52	208-230/460	3	3	-	-	-	-	-	-	2	177	2	180	-	-	-
55	575	3	3	-	-	-	-	-	-	2	177	2	180	-	-	-
63	208-230/460	3	3	-	-	-	-	-	-	3	112	3	246	-	-	-
66	575	3	3	-	-	-	-	-	-	3	112	3	246	-	-	-
74	208-230/460	3	3	-	-	-	-	-	-	5	245	5	245	-	-	-
77	575	3	3	-	-	-	-	-	-	5	245	5	245	-	-	-

① Pour sélectionner le code d'alimentation correct, reportez-vous aux tableaux des pages 18-19.

Tableau 17.2 - Chute de pression statique dans le filtre ②

	Pression statique dans le filtre (po C.E.)					
	BTP150	BTP175	BTP200	BTP250	BTP300	BTP350
BTP400	0,1	0,2	0,1	0,2	0,2	0,2

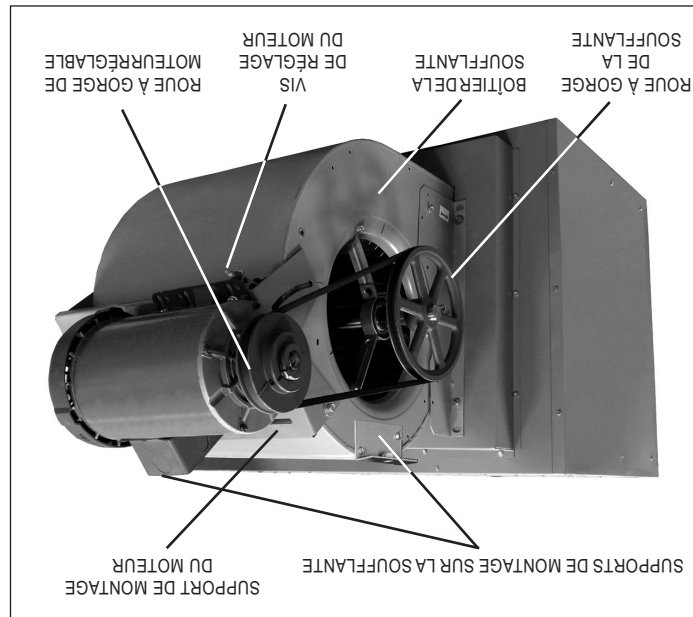
② Pour les modèles à soufflante avec boîtier et filtre, ajoutez les pressions statiques suivantes à la pression statique déterminée par le concepteur du système pour obtenir la pression statique externe totale.

INSTALLATION

Procédure d'installation

1. Retirez et jetez la sangle d'attache du moteur, ainsi que la cale d'expédition située sous la vis de réglage du moteur (pas sur tous les modèles.)
2. Pour les moteurs de 3 et 5 HP, montez la roue à gorge sur l'arbre du moteur, puis installez le moteur sur le support de montage. Installez la courroie sur la soufflante et les roues à gorge du moteur.

Figure 16.1 - Modèle à soufflante



Après les branchements électriques, vérifiez la rotation de la soufflante pour garantir le chauffage soufflé. Au besoin, intervertissez les fils pour inverser la rotation de la soufflante. Démarrez le moteur du ventilateur et vérifiez le régime de la roue à gorge de la soufflante à l'aide d'un tachymètre manuel ou stroboscopique. Le régime doit correspondre aux régimes indiqués sous Données de performance, aux pages 18 et 19. Un moteur à une vitesse à roue à gorge réglable est fourni avec ces appareils. Si une modification du régime du ventilateur de la soufflante est requis, ajustez comme suit la roue à gorge du moteur :

REMARQUE : N'allumez pas l'appareil tant que la soufflante n'est pas réglée; cela pourrait causer une surchauffe.

1. Coupez l'alimentation avant d'effectuer les réglages de régime de la soufflante. Pour déterminer le régime de soufflante adéquat, reportez-vous à « Détermination du régime de la soufflante », page 16 et aux données de performance des pages 18 et 19.

2. Détendez la courroie et retirez-la de la roue à gorge du moteur.

3. Desserrez la vis de calage sur l'extérieur de la roue à gorge du moteur (figure 16.2).

4. Pour réduire le régime de la soufflante, tournez l'extérieur de la roue à gorge du moteur dans le sens inverse des aiguilles d'une montre.

5. Pour l'augmenter, tournez dans le sens des aiguilles d'une montre.

6. Resserrez la vis de calage de la roue à gorge du moteur, remettez la courroie, puis resserrer l'assise du moteur. Ajustez la vis de réglage du moteur de sorte à obtenir une déviation de courroie de 3/4 po avec application de 5 livres de force à mi-distance entre les roues à gorge de la soufflante et du moteur (figure 16.3). Comme la tension de la courroie diminue sensiblement après une période de rodage initiale, il est nécessaire de réverter périodiquement la tension pour garantir le réglage correct permanent de la courroie.

7. Assurez-vous que les roues à gorge sont alignées. Réalignez-les au besoin.

8. Réverifiez le régime de la soufflante après réglage.

9. Vérifiez l'intensité du moteur. Ne dépassez pas l'intensité indiquée sur la plaque signalétique du moteur. Ralentissez la soufflante au besoin.

10. Vérifiez l'augmentation de la température de l'air à travers l'appareil. Comparez-la aux valeurs des tableaux des performances, pages 18 et 19, pour garantir la circulation d'air réelle souhaitée.

11. Si des réglages s'imposent, réverifiez l'intensité du moteur après le réglage final du régime de la soufflante.

3. Ajustez la vis de réglage du moteur pour obtenir une déviation de courroie de 19 mm environ avec application de 2,2 kg de force à mi-distance entre les roues à gorge (figure 16.3). Comme la tension de la courroie diminue sensiblement après une période de rodage initiale, il est nécessaire de réverter périodiquement la tension. Une tension excessive engendrera l'usure des roulements et du bruit.
4. Les roulements de la soufflante sont lubrifiés à vie; toutefois, avant la mise en marche initiale de l'appareil, l'arbre de la soufflante devrait être lubrifié au niveau des roulements avec de l'huile SAE 20. Cela permettra de réduire la friction initiale et d'amorcer l'écoulement du lubrifiant plastique.
5. Établissez les branchements électriques conformément au diagramme de câblage.
6. Vérifiez la rotation de la soufflante. Le moteur doit tourner dans le sens des aiguilles d'une montre lorsque vous trouvez face à la poulie du moteur. Si la rotation est incorrecte, corrigez-la en inversant les fils dans le moteur. Reportez-vous au diagramme de câblage sur le moteur.
7. L'appel de courant réel du moteur doit être déterminé. Il ne doit en aucun cas dépasser celui qui apparaît sur la plaque signalétique du moteur.
8. Il incombe à l'installateur de régler la roue à gorge du moteur pour fournir la performance de soufflante indiquée aux pages 18 et 19 pour les soufflantes dont le réglage ne correspond pas à la performance identifiée en se reportant au numéro « Power Code » sur la plaque signalétique de l'appareil (voir la nomenclature des numéros de modèle page 27) et en faisant correspondre ce numéro à ceux de la page 17. Vous pourrez déduire le numéro d'entraînement de la liste.

5. Établissez les branchements électriques conformément au diagramme de câblage.
6. Vérifiez la rotation de la soufflante. Le moteur doit tourner dans le sens des aiguilles d'une montre lorsque vous trouvez face à la poulie du moteur. Si la rotation est incorrecte, corrigez-la en inversant les fils dans le moteur. Reportez-vous au diagramme de câblage sur le moteur.
7. L'appel de courant réel du moteur doit être déterminé. Il ne doit en aucun cas dépasser celui qui apparaît sur la plaque signalétique du moteur.
8. Il incombe à l'installateur de régler la roue à gorge du moteur pour fournir la performance de soufflante indiquée aux pages 18 et 19 pour les soufflantes dont le réglage ne correspond pas à la performance identifiée en se reportant au numéro « Power Code » sur la plaque signalétique de l'appareil (voir la nomenclature des numéros de modèle page 27) et en faisant correspondre ce numéro à ceux de la page 17. Vous pourrez déduire le numéro d'entraînement de la liste.

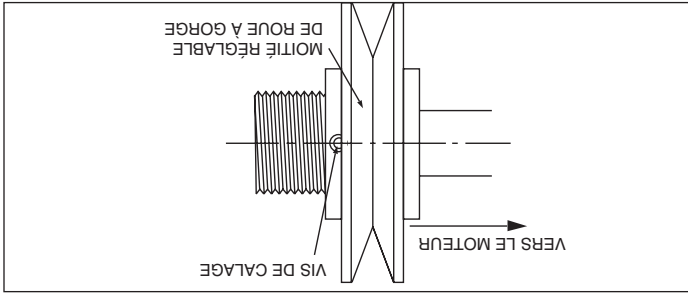


Figure 16.2 - Réglage de la roue à gorge du moteur

7. Assurez-vous que les roues à gorge sont alignées. Réalignez-les au besoin.
8. Réverifiez le régime de la soufflante après réglage.
9. Vérifiez l'intensité du moteur. Ne dépassez pas l'intensité indiquée sur la plaque signalétique du moteur. Ralentissez la soufflante au besoin.
10. Vérifiez l'augmentation de la température de l'air à travers l'appareil. Comparez-la aux valeurs des tableaux des performances, pages 18 et 19, pour garantir la circulation d'air réelle souhaitée.
11. Si des réglages s'imposent, réverifiez l'intensité du moteur après le réglage final du régime de la soufflante.

7. Assurez-vous que les roues à gorge sont alignées. Réalignez-les au besoin.
8. Réverifiez le régime de la soufflante après réglage.
9. Vérifiez l'intensité du moteur. Ne dépassez pas l'intensité indiquée sur la plaque signalétique du moteur. Ralentissez la soufflante au besoin.
10. Vérifiez l'augmentation de la température de l'air à travers l'appareil. Comparez-la aux valeurs des tableaux des performances, pages 18 et 19, pour garantir la circulation d'air réelle souhaitée.
11. Si des réglages s'imposent, réverifiez l'intensité du moteur après le réglage final du régime de la soufflante.

7. Assurez-vous que les roues à gorge sont alignées. Réalignez-les au besoin.
8. Réverifiez le régime de la soufflante après réglage.
9. Vérifiez l'intensité du moteur. Ne dépassez pas l'intensité indiquée sur la plaque signalétique du moteur. Ralentissez la soufflante au besoin.
10. Vérifiez l'augmentation de la température de l'air à travers l'appareil. Comparez-la aux valeurs des tableaux des performances, pages 18 et 19, pour garantir la circulation d'air réelle souhaitée.
11. Si des réglages s'imposent, réverifiez l'intensité du moteur après le réglage final du régime de la soufflante.

7. Assurez-vous que les roues à gorge sont alignées. Réalignez-les au besoin.
8. Réverifiez le régime de la soufflante après réglage.
9. Vérifiez l'intensité du moteur. Ne dépassez pas l'intensité indiquée sur la plaque signalétique du moteur. Ralentissez la soufflante au besoin.
10. Vérifiez l'augmentation de la température de l'air à travers l'appareil. Comparez-la aux valeurs des tableaux des performances, pages 18 et 19, pour garantir la circulation d'air réelle souhaitée.
11. Si des réglages s'imposent, réverifiez l'intensité du moteur après le réglage final du régime de la soufflante.

7. Assurez-vous que les roues à gorge sont alignées. Réalignez-les au besoin.
8. Réverifiez le régime de la soufflante après réglage.
9. Vérifiez l'intensité du moteur. Ne dépassez pas l'intensité indiquée sur la plaque signalétique du moteur. Ralentissez la soufflante au besoin.
10. Vérifiez l'augmentation de la température de l'air à travers l'appareil. Comparez-la aux valeurs des tableaux des performances, pages 18 et 19, pour garantir la circulation d'air réelle souhaitée.
11. Si des réglages s'imposent, réverifiez l'intensité du moteur après le réglage final du régime de la soufflante.

7. Assurez-vous que les roues à gorge sont alignées. Réalignez-les au besoin.
8. Réverifiez le régime de la soufflante après réglage.
9. Vérifiez l'intensité du moteur. Ne dépassez pas l'intensité indiquée sur la plaque signalétique du moteur. Ralentissez la soufflante au besoin.
10. Vérifiez l'augmentation de la température de l'air à travers l'appareil. Comparez-la aux valeurs des tableaux des performances, pages 18 et 19, pour garantir la circulation d'air réelle souhaitée.
11. Si des réglages s'imposent, réverifiez l'intensité du moteur après le réglage final du régime de la soufflante.

7. Assurez-vous que les roues à gorge sont alignées. Réalignez-les au besoin.
8. Réverifiez le régime de la soufflante après réglage.
9. Vérifiez l'intensité du moteur. Ne dépassez pas l'intensité indiquée sur la plaque signalétique du moteur. Ralentissez la soufflante au besoin.
10. Vérifiez l'augmentation de la température de l'air à travers l'appareil. Comparez-la aux valeurs des tableaux des performances, pages 18 et 19, pour garantir la circulation d'air réelle souhaitée.
11. Si des réglages s'imposent, réverifiez l'intensité du moteur après le réglage final du régime de la soufflante.

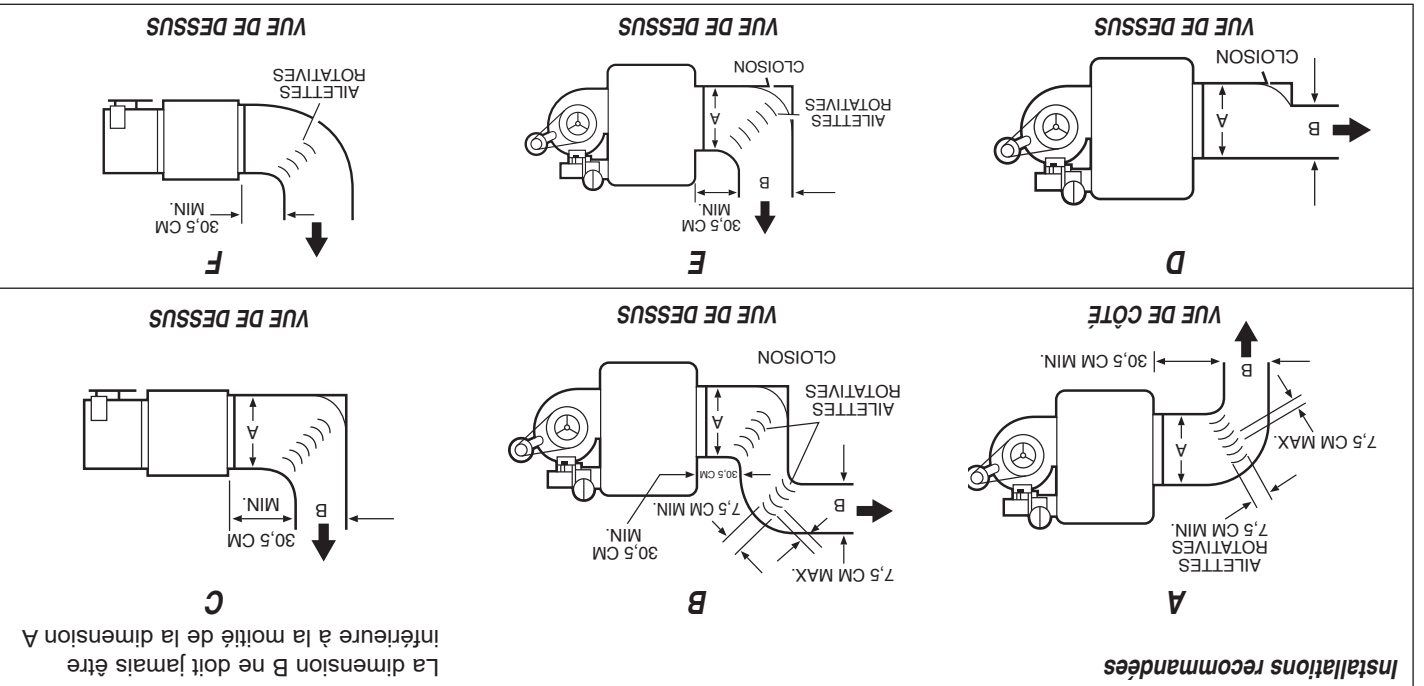
7. Assurez-vous que les roues à gorge sont alignées. Réalignez-les au besoin.
8. Réverifiez le régime de la soufflante après réglage.
9. Vérifiez l'intensité du moteur. Ne dépassez pas l'intensité indiquée sur la plaque signalétique du moteur. Ralentissez la soufflante au besoin.
10. Vérifiez l'augmentation de la température de l'air à travers l'appareil. Comparez-la aux valeurs des tableaux des performances, pages 18 et 19, pour garantir la circulation d'air réelle souhaitée.
11. Si des réglages s'imposent, réverifiez l'intensité du moteur après le réglage final du régime de la soufflante.

7. Assurez-vous que les roues à gorge sont alignées. Réalignez-les au besoin.
8. Réverifiez le régime de la soufflante après réglage.
9. Vérifiez l'intensité du moteur. Ne dépassez pas l'intensité indiquée sur la plaque signalétique du moteur. Ralentissez la soufflante au besoin.
10. Vérifiez l'augmentation de la température de l'air à travers l'appareil. Comparez-la aux valeurs des tableaux des performances, pages 18 et 19, pour garantir la circulation d'air réelle souhaitée.
11. Si des réglages s'imposent, réverifiez l'intensité du moteur après le réglage final du régime de la soufflante.



Figure 16.3 - Réglage de tension de la courroie

Figure 15.1 - Installation typique avec gaines et circulation d'air



IMPORTANT

N'essayez pas d'attacher des gaines quelconques aux modèles à hélice.

Lors de l'installation de l'appareil de chauffage, suivez toujours les bonnes pratiques de conception de réseau de gaine pour obtenir la distribution uniforme de l'air à travers l'échangeur de chaleur. Les configurations recommandées apparaissent à la figure 15.1. Lorsque vous installez des appareils à soufflante avec des gaines, vous devez procéder comme suit.

1. Assurez une distribution d'air uniforme sur l'échangeur thermique. Utilisez les ailettes rotatives en cas de besoin (figure 15.1).
2. Fournissez des panneaux d'accès amovibles dans les gaines côté aval de l'appareil de chauffage. Ces ouvertures doivent être assez grandes pour permettre de voir de la fumée ou de réfléchir la lumière à l'intérieur afin d'indiquer des fuites dans l'échangeur de chaleur et de vérifier les points chauds sur l'échangeur causés par une mauvaise répartition de l'air ou un manque d'air.
3. Si les gaines sont connectées à l'arrière de l'appareil, utilisez l'ensemble du boîtier de soufflante Modine ou, si vous utilisez un boîtier conçu sur site, maintenez les dimensions du boîtier de la soufflante aux dimensions indiquées à la page 25.

Exigences supplémentaires pour l'installation de modèles à soufflante (modèle BTP)

Détermination du régime de la soufflante

L'entraînement et le moteur des appareils de chauffage au gaz à soufflante de 2 HP maximum sont assemblés à l'usine. Les moteurs 3 HP et cours d'expédition. La roue à gorge réglable du moteur a été pré-réglée pour permettre le fonctionnement de cet appareil dans des conditions moyennes de circulation de l'air et sans pression statique externe. La roue à gorge du moteur doit être réglée au besoin quand l'appareil doit fonctionner avec des débits d'air et/ou des pressions statiques externes indiquées sur la plaque signalétique de l'appareil.

Pour déterminer le régime correct de la soufflante et de l'ouverture de la roue à gorge du moteur, les conditions d'exploitation de l'appareil doivent

être connues. Si l'appareil à soufflante doit être utilisé sans gaines ou filtres, le seul critère de détermination du réglage d'ouverture de la roue à gorge du moteur et du régime de la soufflante est le volume d'air à délivrer. Les tableaux des performances pour les modèles de soufflante apparaissent aux pages 18 et 19. Par exemple, un modèle BTP 350, fonctionnant sans pression statique externe à savoir, sans gaines, filtres, etc., et qui doit administrer un volume d'air de 6481 p³/min (p³/min = pieds cubes d'air par minute) exige une alimentation avec un moteur de 5 HP, un entraînement -207 et la roue à gorge de l'entraînement doit être réglée à 2,5 tours pour atteindre un régime de soufflante de 960 tr/min (pour les modèles avec ou sans soufflante, voir le tableau des performances, page 22). Pour le réglage des tours de poulie d'entraînement, reportez-vous à la section « Réglage de la soufflante », page 17.

Si un appareil à soufflante doit être utilisé avec des gaines ou des filtres, etc., la pression statique externe totale à laquelle l'appareil doit fonctionner et le débit d'air requis doivent être connus avant que l'appareil puisse être correctement réglé.

Si des filtres Modine sont utilisés, la perte de pression prévue à travers les filtres est fournie parmi les données de performance, à la page 17. Si des filtres ou des gaines doivent être utilisées avec l'appareil et qu'elles ne sont pas fournies par Modine, l'ingénieur-concepteur ou le sous-traitant chargé de l'installation devra déterminer la perte de pression pour que les appareils externes ajoutés ou les gaines arrivent à la pression statique externe totale à laquelle l'appareil doit fonctionner.

Une fois la pression statique totale et le débit d'air requis connus, le régime d'exploitation de la soufflante pourra être déterminé et les réglages de la roue à gorge du moteur correctement effectués. Par exemple, un modèle BTP 350 doit être utilisé avec un boîtier de soufflante et des filtres fournis par Modine attachés aux gaines. L'appareil doit dépasser 6481 p³/min d'air par Mode à une pression statique externe de 0,2 po C.E. De plus, 0,2 po C.E. doivent être ajoutés à la chute de pression dans le filtre, pour un total de 0,4 po C.E. de chute de pression. À l'entrée du tableau des performances, page 18, pour un BTP 350, à 6481 p³/min et 0,4 po C.E. de pression statique, on observe que l'appareil exigera un moteur de 5 HP utilisant un entraînement -207 et que la roue à gorge du moteur devrait être réglée à 0,5 tours pour donner un régime de soufflante égal à 1050 tr/min. Vous pouvez voir que cet exemple est différent de conditions similaires au paragraphe 2 sur le plan du nombre de tours et d'un régime supérieur, tous deux nécessaires pour surmonter la pression statique supplémentaire des filtres.

AVERTISSEMENT

1. Débranchez l'alimentation avant d'effectuer des branchements pour éviter tout risque d'électrocution et d'endommagement de l'appareil.
2. Tous les branchements et câblages doivent être faits en stricte conformité avec le schéma fourni avec l'appareil. Tout câblage différent de celui du schéma peut créer des risques de dommages matériels ou de blessures.
3. Tout câblage usine d'origine exigeant un remplacement doit être remplacé par un câble d'indice thermique nominal de 105 °C.
4. Assurez-vous que la tension d'alimentation n'est pas supérieure de plus de 5 % à la tension nominale inscrite sur la plaque de l'appareil.

ATTENTION

Vérifiez que la tension d'alimentation n'est pas inférieure de plus de 5 % à la tension nominale inscrite sur la plaque de l'appareil.

1. L'installation du câblage doit être conforme aux codes locaux du bâtiment ou, en l'absence de codes locaux, au Code électrique national ANS/NFPA 70, dernière édition. Conformément à ce code, l'appareil doit être mis à la terre. Au Canada, le câblage doit être conforme à CSA C22.1, Partie 1, Code électrique.
 2. Deux exemplaires du diagramme de câblage de l'appareil sont fournis avec chaque appareil. L'un se situe dans le compartiment de commande accessible par le côté et l'autre est fourni dans le paquet de documentation. Reportez-vous à ce diagramme pour tous les branchements de câbles.
 3. Assurez-vous que tous les composants multi-tension (moteurs, transformateurs, etc.) sont câblés conformément à la tension secteur.
 4. L'alimentation de l'appareil doit être protégée par un interrupteur à fusible ou coupe-circuit.
 5. L'alimentation doit se trouver à $\pm 5\%$ de la tension nominale et les phases doivent être équilibrées à $\pm 2\%$ les unes des autres. Sinon, prévenez le fournisseur d'électricité.
 6. Les branchements électriques externes à installer incluent :
 - a. Branchement de l'alimentation secteur (115, 208, 230, 460 ou 575 volts).
 - b. Branchement des thermostats ou de tout autre appareil de commande d'accessoire pouvant être fourni (24 volts).
- REMARQUE :** Tous les appareils affichant une tension nominale de 208 V et plus doivent utiliser un transformateur abaisseur installé sur site, offert comme accessoire séparé.
7. Pour l'emplacement d'entrée du câblage dans la boîte de commodité pour contracteur, reportez-vous à la figure 14.1.
 8. Tous les branchements électriques d'alimentation sont établis dans le compartiment de la boîte de commodité pour contracteur. Les appareils à basse tension (thermostat et accessoires de commande) peuvent être câblés aux bornes de la boîte de commodité pour contracteur.
 9. Les modèles de combustion distincts comprennent un interrupteur marche/arrêt de bascule installé en usine. Cet interrupteur a pour fonction de couper l'alimentation de l'unité pour la maintenance ou d'arrêter l'unité quand il fait chaud. Les cotes de commutation sont de 15 A ou 3/4 HP à 125 V.

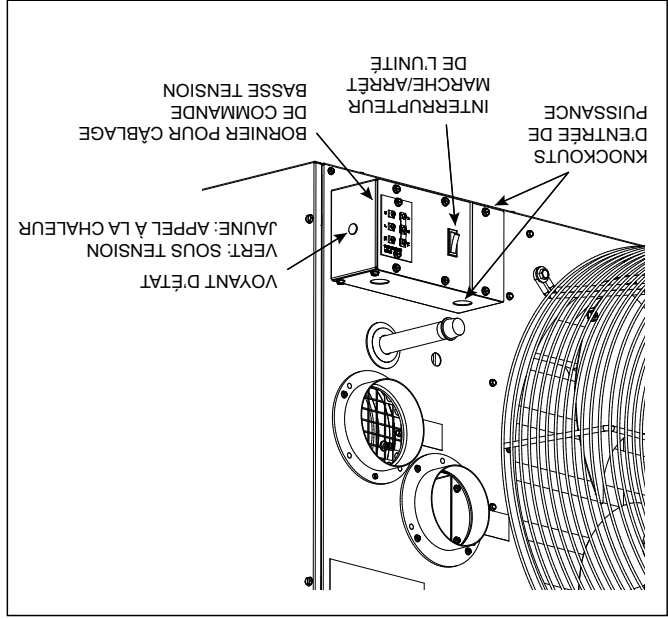


Figure 14.1 - Boîte de commodité de l'entrepreneur avec interrupteur à bascule

INSTALLATION - ENSEMBLE D'ACCESSOIRES POUR HAUTE ALTITUDE

Si la valeur de chauffage du gaz fourni est différente des valeurs des tableaux 12.1 et 12.2, utilisez l'équation suivante pour déterminer la pression appropriée au collecteur pour l'altitude et la valeur de chauffage du gaz fourni:

Équation 13.1 - Pression au collecteur pour valeur nominale de gaz réduite

$$MP_{ACT} = \left(\frac{BTU_{TBL}}{BTU_{ACT}} \right)^2 \times MP_{SL}$$

où :

MP_{ACT} = Pression au collecteur (po C.E.) en altitude - réglage de pression de gaz pour l'appareil de chauffage installé

BTU_{TBL} = Teneur du gaz en BTU/p³ - Tiré du tableau 13.1 ou 13.2 (selon le cas)

BTU_{ACT} = Teneur du gaz en BTU/p³ - Obtenu auprès du fournisseur de gaz local

MP_{SL} = Pression au collecteur (po C.E.), au niveau de la mer - Utilisez 3,5 po C.E. pour le gaz naturel et 10 po C.E. pour le propane

REMARQUE : Seule la pression au collecteur primaire doit être réglée sur les appareils équipés de commandes de gaz à deux étages ou modulation. Aucun réglage de pression au collecteur à feu bas n'est nécessaire sur ces appareils.

Table 13.1 - Ensembles haute altitude pour PTP/BTP ①

Etats-Unis et Canada		Taille de Modèle	
Code d'article	Code d'article	Code d'article	Code d'article
150	175	300	350
150	175	250	300
150	175	200	250
150	175	150	200
150	175	100	150
150	175	50	100
150	175	25	50
150	175	10	25
150	175	5	10
150	175	2	5
150	175	1	2
150	175	0	1
150	175	0	0

① Pour les ensembles Etiquette seulement(67248), le numéro de référence Modine 5H0807146005 doit être inscrit et attaché à l'appareil par l'installateur. Contactez le représentant Modine local au 1.866.828.4328 (HEAT).

INSTALLATION – ENSEMBLE D'ACCESSOIRES POUR HAUTE ALTITUDE

ENSEMBLE D'ACCESSOIRES POUR HAUTE ALTITUDE

Les valeurs nominales d'entrée standard des appareils au gaz de Modine sont certifiées par ETL. À plus de 2000 pieds, la norme ANSI Z223.1 exige la réduction des valeurs nominales de 4 % tous les 1000 pieds au-dessus du niveau de la mer. Au Canada, l'ACNOR exige la réduction des valeurs nominales de 10 % à plus de 2000 pieds d'altitude. Les instructions de réglage en haute altitude et les ensembles de pressostat listés dans ce manuel concernent les appareils qui seront installés à plus de 2000 pieds. Ces méthodes et ensembles sont conformes aux exigences ANSI Z223.1 et ACNOR.

Si un appareil doit être installé à plus haute altitude ET converti d'un service gaz naturel à gaz propane, un ensemble de conversion au propane doit être utilisé avec les méthodes de réglage de pression et les ensembles de pressostat listés dans ce manuel. Pour les instructions de sélection et d'installation pour les ensembles de conversion au propane, consultez la toute dernière version du manuel Modine 75-515.

Sélection de la pression et de l'ensemble corrects

Pour déterminer la pression de collecteur correcte en altitude et si nécessaire, l'ensemble de pressostat d'air de combustion correct, le numéro de modèle complet de l'appareil de chauffage, le combustible à utiliser et l'altitude à laquelle l'appareil sera installé doivent être connus. Pour obtenir les renseignements nécessaires sur l'appareil, consultez la plaque du numéro de série.

Une fois en possession de ces informations, consultez les tableaux de pressions de gaz et de sélection aux tableaux 12.1 à 13.1. Les tableaux de pression sont divisés par altitude, type de combustible et pays d'installation du produit. Les tableaux de sélection sont divisés par type de produit, altitude et type de combustible. Dans le cas d'une conversion du gaz naturel au propane et d'une utilisation à haute altitude, un ensemble de conversion au propane et un ensemble de pressostat devra être utilisé (le cas échéant). Les tableaux de sélection incluent le suffixe d'ensemble adéquat, si nécessaire.

Régler de pression au collecteur

① Les valeurs indiquées correspondent à une pression au collecteur de 10 po C.E.; pour les autres valeurs de teneur en BTU (disponibles auprès de votre fournisseur local), utilisez l'équation 13.1 pour calculer la pression au collecteur.
 ② Les valeurs indiquées correspondent à une pression au collecteur de 10 po C.E.; pour les autres valeurs de teneur en BTU (disponibles auprès de votre fournisseur local), utilisez l'équation 13.1 pour calculer la pression au collecteur.
 ③ Si l'appareil est installé à plus de 2000 pieds, vous devrez peut-être remplacer un pressostat. Reportez-vous au tableau 13.1 pour voir si un changement de pressostat est nécessaire.
 ④ Les valeurs nominales de chauffage du gaz sont réduites de 4 % tous les 1000 pieds d'altitude aux États-Unis et de 10 % entre 2000 et 4500 pieds d'altitude au Canada, conformément aux normes ANSI Z223.1 et ACNOR-B149, respectivement.

Altitude (pi)	É.-U.	Canada
0 à 2000	1050	1050
2001 à 3000	929	
3001 à 4000	892	
4001 à 4500	874	
4501 à 5000	856	
5001 à 6000	822	
6001 à 7000	789	
7001 à 8000	757	
8001 à 9000	727	
9001 à 10000	698	
10001 à 11000	670	
11001 à 12000	643	
12001 à 13000	618	
13001 à 14000	593	

Tableau 12.1 - Valeurs de chauffage du gaz naturel selon l'altitude ① ② ③ ④

Gaz à valeur de chauffage diminuée et calcul de pression au collecteur

Certains fournisseurs de gaz pourront réduire la teneur en BTU (valeur de chauffage) du gaz fournie en altitude à une autre valeur que 1050 BTU/pi³ pour le gaz naturel ou 2500 BTU/pi³ pour le propane pour permettre l'utilisation de certains appareils de chauffage sans régler la pression au collecteur. C'est pourquoi il est nécessaire de contacter le fournisseur de gaz pour en savoir plus sur le type de gaz et la teneur en BTU (valeur de chauffage) avant d'utiliser un appareil de chauffage. Les tableaux 12.1 et 12.2 indiquent les valeurs de chauffage diminuées standard (4 % pour 1000 pieds d'altitude aux États-Unis et 10 % entre 2001 et 4500 pieds d'altitude au Canada) des gaz naturel et propane à différentes altitudes. Si le fournisseur livre du gaz avec des valeurs de chauffage comme indiqué aux tableaux 12.1 et 12.2, la pression au collecteur doit être réglée à 3,5 po C.E. pour le gaz naturel et à 10 po C.E. pour le propane.

REMARQUE : Seule la pression de gaz à feu fort doit être ajustée, la pression de gaz à feu bas doit rester la même.

Tableau 12.2 - Valeurs de chauffage du gaz propane selon l'altitude ① ② ③ ④

Altitude (pi)	Valeur de chauffage du gaz selon l'altitude (BTU/pi ³)	
	É.-U.	Canada
0 à 2000	2500	2500
2001 à 3000	2212	
3001 à 4000	2123	
4001 à 4500	2080	
4501 à 5000	2038	
5001 à 6000	1957	
6001 à 7000	1879	
7001 à 8000	1803	
8001 à 9000	1731	
9001 à 10000	1662	
10001 à 11000	1596	
11001 à 12000	1532	
12001 à 13000	1471	
13001 à 14000	1412	

INSTALLATION – RACCORDEMENTS DE GAZ

RACCORDEMENTS DE GAZ

1. Toutes les tuyauteries de gaz extérieures doivent être soumises à des essais de pression et d'étanchéité avant la mise en marche. Ne recherchez jamais les fuites avec une flamme nue. Utilisez plutôt de l'eau savonneuse ou un produit équivalent.
2. La pression de gaz au régulateur de l'appareil ne doit jamais dépasser 14 po C.E. (1/2 psi).
3. Pour réduire les risques de condensation, le pouvoir calorifique minimum du gaz (au niveau de la mer) ne doit pas être inférieur de plus de 5 % à la valeur nominale figurant sur la plaque signalétique de l'appareil ou de 5 % à la valeur la plus basse des appareils à double alimentation.

AVERTISSEMENT

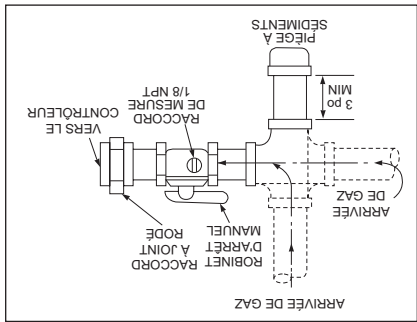
1. La purge de l'air des tuyauteries de gaz doit se faire selon la procédure ANSI Z223.1 (NFPA 54) – dernière édition ou aux codes CSA B149 pour le Canada.
2. Pour l'essai d'étanchéité des tuyauteries d'alimentation en gaz, l'appareil et son régulateur de gaz combiné doivent être isolés pour tout essai fait à une pression dépassant 14 po C.E. (1/2 psi).
3. L'appareil devrait être isolé de la conduite d'alimentation en gaz par la fermeture d'un robinet d'arrêt manuel posé à l'installation. Ce robinet d'arrêt doit être dans un rayon de 6 pi autour de l'appareil.
4. Fermez l'arrivée générale de gaz avant d'installer l'appareil.

ATTENTION

Pour éviter une défaillance prématurée de l'échangeur de chaleur, l'apport calorifique du gaz utilisé ne doit pas excéder de plus de 5 % la valeur nominale inscrite sur la plaque signalétique de l'appareil.

1. L'installation doit se faire conformément aux codes locaux de la construction ou, à défaut de tels codes, conformément au National Fuel Gas Code, ANSI Z223.1 (NFPA 54), dernière édition. Au Canada, l'installation doit se faire conformément à la norme CSA B149.1.
2. Les tuyauteries doivent être conformes aux exigences locales et nationales pour le type et le volume de gaz, ainsi que les pertes de charge admissibles dans les conduites. Voir le tableau 10.1 pour déterminer les débits (pieds cubes/heure), le type de gaz et la capacité de l'appareil à installer. À partir de la valeur du débit et de la longueur de tuyau nécessaire, déterminez le diamètre de tuyau en consultant le tableau 10.2. Si plusieurs appareils de chauffage sont desservis par la même conduite principale, il faut tenir compte de la capacité totale, du débit total et de la longueur totale. N'utilisez pas de tuyau plus petit que 1/3 in ou 1/2 po. Le tableau 10.2 est établi pour une perte de charge de 0,3 po C.E. entre la conduite principale du bâtiment et l'appareil de chauffage. La pression du gaz à l'entrée de l'appareil doit être de 6 à 7 po C.E. et de 11 à 14 po C.E. pour le propane. En déterminant le diamètre de la conduite d'alimentation, il faut s'assurer que ces pressions seront respectées à l'entrée de l'appareil malgré la perte de charge de 0,3 po C.E. admise dans la tuyauterie. Si une perte de charge de 0,3 po C.E. est excessive, consultez le manuel Gas Engineers Handbook pour déterminer la section des tuyaux de gaz.
3. Installez un raccord union à joint rodé avec un siège en laiton et un robinet d'arrêt manuel adéquat à l'appareil pour les arrêts manuels d'urgence et l'entretien des commandes, comportant un raccord 1/8 po NPT avec bouchon obturateur, pour pouvoir brancher un manomètre (figure 11.1).
4. Utilisez deux clés pour raccorder la tuyauterie du site aux appareils. Ajoutez un collecteur de sédiments en amont de chaque appareil et dans la tuyauterie s'il n'est pas possible d'éviter les points bas (figure 11.1).
5. Si des essais de pression et d'étanchéité doivent être faits à plus de 14 po C.E. (1/2 psi), fermez le robinet d'arrêt installé sur site, déconnectez l'appareil et sa commande de gaz mixte de l'arrivée de gaz et bouchez l'arrivée de gaz avant le test. Lorsque vous testez des pressions de 14 po C.E. (1/2 psi) ou inférieures, fermez le robinet d'arrêt manuel sur l'appareil avant d'effectuer le test.

Figure 11.1 - Installation recommandée : piège à sédiments et robinet d'arrêt manuel – pour un raccordement latéral ou par le bas ①



① En position OFF, la manette du robinet d'arrêt de gaz doit être perpendiculaire au tuyau.

Tableau 11.1 - Pression au collecteur et consommation de gaz au niveau de la mer

Taille de modèle	Nbre d'orifices	Pression au collecteur (po C.E.):	
		Naturel	Propane
150	60	142,9	142,9
		1,6	1,6
		53	53
175	7	42	42
		166,7	70
		53	53
200	7	38	52
		190,5	80
		53	53
250	9	39	1,55 mm
		238,1	100
		52	52
300	9	36	3,3
		285,7	120
		51	51
350	12	38	3,8
		333,3	140
		52	52
400	12	36	3,6
		381	160
		4,4	4,4

Tableau 11.2 - Capacités de gaz - Gaz naturel ① ②

Longueur de tuyau (pi)	Gaz naturel	
	1/2 po	3/4 po
10	132	278
20	92	190
30	73	152
40	63	130
50	56	115
60	50	105
70	46	96
80	43	90
100	38	79
125	34	72
150	31	64

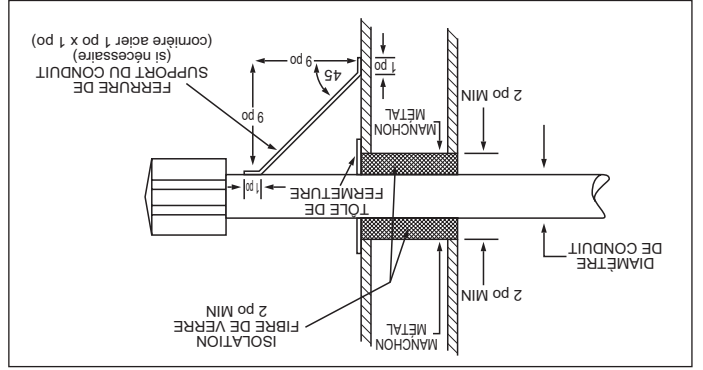
① Capacités en pieds cubes par heure dans des tuyaux de nomenclature 40 avec une chute de pression maximum de 0,3 po C.E. avec une pression gazeuse de 14 po C.E. La densité est de 0,60 pour le gaz naturel et de 1,50 pour le propane. ② Pour obtenir la capacité de tuyaux contenant du propane, divisez la capacité pour le gaz naturel par 1,6. Exemple : quelle est la capacité d'un tuyau à propane de 60 pi x 1-1/4 po? Sa capacité pour le gaz naturel est de 400 pi³/h. Divisez cette valeur par 1,6 pour obtenir 250 pi³/h pour le propane.

Section C – Installation des systèmes d'évacuation horizontale de catégorie III.

- C1. Cette section s'applique aux systèmes d'évacuation horizontale de catégorie III et complète les prescriptions de la section A – Instructions générales – Tous modèles.
- C2. Conduit horizontal débouchant horizontalement (sur le côté du bâtiment).
- C3. Sceller toutes les coupures et les joints des tuyaux à paroi simple non étanches avec du ruban métallique ou Silastic pour des températures allant jusqu'à 205 °C (400 °F). Pour les systèmes d'évacuation à simple paroi, une section continue de tuyau d'évacuation à double paroi peut être utilisée dans le système d'évacuation pour la traversée du mur jusqu'au chapeau d'évacuation. Il est interdit d'accoupler deux longueurs de tuyau à double paroi dans une même installation d'évacuation horizontale à cause de l'impossibilité de vérifier l'étanchéité des raccords du tuyau intérieur. Les systèmes de ventilation de catégorie III énumérés par une agence reconnue à l'échelle nationale et correspondant aux diamètres spécifiés peuvent être utilisés. Différents marques de tuyau matériaux de ventilation peuvent ne pas être mélangées. Voir le point A10 de la section A – Instructions générales – Tous modèles pour les transitions entre double paroi et simple paroi.

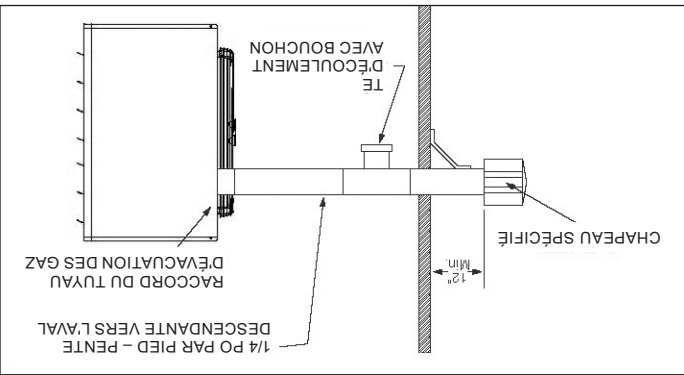
- C4. Tous les systèmes d'évacuation horizontale de catégorie III doivent être terminés avec un chapeau de cheminée listé. Le chapeau doit se terminer à une distance minimum de 12 po au-delà de la surface du mur extérieur, comme illustré à la figure 10.2. La cheminée doit être soutenue, comme illustré à la figure 10.1. Des précautions doivent être prises pour éviter la dégradation des matériaux de couverture par les produits de combustion.

Figure 10.1 - Construction d'une traversée à travers une paroi combustible et support de cheminée



- C5. Si la condensation risque d'être un problème, le système d'évacuation ne doit pas déboucher au-dessus d'une voie publique ou d'une zone où le condensat ou la vapeur pourrait créer une nuisance ou un danger, ou pourrait affecter le fonctionnement de régulateurs ou d'évents, ou autres équipements.
- C6. Le système d'évacuation ne doit pas desservir plus d'un appareil de chauffage et ne doit pas servir à d'autres fins.
- C7. Pour une évacuation horizontale, il faut maintenir une pente montante de 21 mm par mètre (1/4 po par pied) vers l'aval et placer un té d'égoûtment avec bouchon de nettoyage, comme illustré à la figure 10.2. Sous réserve de l'accord des autorités locales, une pente de 21 mm par mètre (1/4 po par pied) vers l'aval est acceptable avec un té d'égoûtment avec bouchon de nettoyage près de la sortie, comme illustré à la figure 10.2, ou encore un écoulement direct du condensat au bout du tuyau.

Figure 10.2 - Ventilation horizontale



- C8. Dans le cas d'un chapeau de cheminée situé sous un avant-toit, la distance du porte-à-faux ne doit pas dépasser 61 cm (24 po). Les dégagements par rapport aux surfaces combustibles d'un conduit d'évacuation extérieur doivent être de 30 cm (12 po) au minimum. Consultez le National Fuel Gas Code pour les exigences additionnelles relatives aux avant-toits ayant des ouvertures de ventilation.
- C9. Une fois l'installation du système d'évacuation terminée, passez à la section intitulée « Installation – Raccordements de gaz ».

INSTALLATION – ÉVACUATION

Section B - Installation des systèmes d'évacuation verticale

B1. Cette section s'applique aux systèmes d'évacuation verticale de catégorie I et complète les prescriptions de la section A – Instructions générales – Tous modèles.

B2. Les systèmes à évacuation verticale se terminent verticalement et leurs dimensions doivent être conformes au National Fuel Gas Code, ANSI Z223.1 (NFPA 54) – dernière édition.

B3. La partie horizontale du conduit ne doit pas dépasser 75 % de la hauteur verticale (exemple : Si la hauteur est 3 m (10 pi), la partie horizontale ne doit pas dépasser 2,3 m (7,5 pi)).

B4. Il est recommandé de toujours poser un té dont la branche verticale munie d'un bouchon servira à collecter les liquides, comme sur la figure 9.1.

B5. Le niveau de l'orifice de sortie doit être à au moins 1,5 m (5 pi) au-dessus du raccord de l'appareil.

B6. Tous les appareils de chauffage à évacuation verticale de catégorie I doivent être raccordés à un système d'évacuation conforme à une norme reconnue, doublée d'un matériau intérieur approuvé par l'autorité compétente. L'évacuation vers une cheminée en maçonnerie n'est pas permise. Pour les instructions d'évacuation commune, reportez-vous au National Fuel Gas Code, ANSI Z223.1 (NFPA 54) – dernière édition.

B7. Utilisez un chapeau de cheminée approuvé pour réduire le refoulement de tirage et l'entrée d'eau de pluie dans le tuyau.

B8. Il est recommandé d'utiliser des tuyaux à double paroi, bien que les tuyaux à simple paroi soient permis si les prescriptions du National Fuel Gas Code sont observées.

B9. Les conduits verticaux doivent se terminer à des distances horizontales et verticales minimales des lignes de toiture et des murs ou obstacles adjacents. Ces distances minimales sont les suivantes (selon les exigences du National Fuel Gas Code pour des diamètres de conduit inférieures à 12 po) :

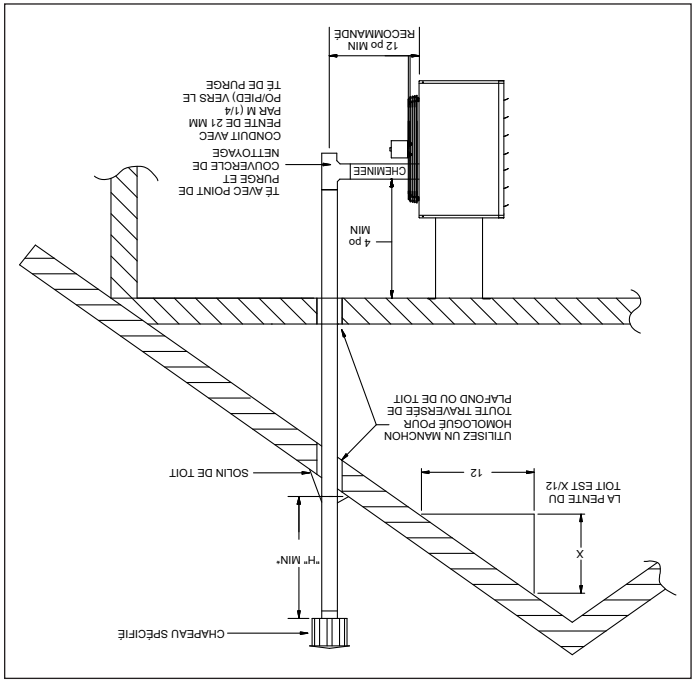
Tableau 9.1 - Hauteur minimale de l'orifice de sortie le plus bas au-dessus du toit

Hauteur X (po)	Pente du toit	Hauteur min. H (pi) ①
0-6	Plat à 6/12	1
6-7	6/12 à 7/12	1,25
7-8	7/12 à 8/12	1,50
8-9	8/12 à 9/12	2
9-10	9/12 à 10/12	2,50
10-11	10/12 à 11/12	3,25
11-12	11/12 à 12/12	4
12-14	12/12 à 14/12	5
14-16	14/12 à 16/12	6
16-18	16/12 à 18/12	7
18-20	18/12 à 20/12	7,50
20-21	20/12 à 21/12	8

① Il faut tenir compte de la couche de neige prévisible.

- Pour des conduits d'évacuation à simple paroi débouchant à une distance horizontale de 10 pi ou plus d'une partie quelconque d'un bâtiment, le conduit doit se prolonger sur au moins 2 pi au-dessus de du point le plus haut où le conduit sort du toit et à 2 pi au-dessus de toute partie du bâtiment située dans un rayon horizontal de 10 pi.
- Pour des conduits d'évacuation à simple paroi débouchant à moins de 10 pi horizontalement de toute partie du bâtiment, le conduit doit se terminer à 2 pi au-dessus de ladite partie.

Figure 9.1 - Système de ventilation verticale de catégorie I



INSTALLATION – ÉVACUATION

- A13. Cet appareil ne doit PAS être relié à une cheminée en maçonnerie. A14. N'utilisez PAS de registres ni d'autres accessoires dans les conduits d'évacuation ou d'air de combustion.
- A15. Le système d'évacuation doit être exclusif à un seul appareil et aucun autre appareil ne doit être ventilé par son truchement.
- A16. Des précautions doivent être prises pour éviter la dégradation des matériaux de couverture par les produits de combustion.
- A17. Un tuyau d'évacuation à simple paroi ne doit pas traverser un grenier inoccupé, une cloison, un vide de construction ou un plancher.
- A18. Dans les régions où la température d'hiver utilisée pour le calcul à 99 % est inférieure à 0 °C (32 °F), il n'est pas permis d'utiliser des tuyaux simples pour l'évacuation à l'extérieur des gaz de combustion.
- A19. Le chapeau de cheminée doit être :

Tableau 8.1 - Chapeaux de cheminée

Taille de modèle	Réf. Modèle
150-200	5H0722850001
250-400	5H0722850001

A20. En plus de ces instructions générales, il convient d'observer les instructions particulières données pour les systèmes d'évacuation des types vertical catégorie I ou horizontal catégorie III. Les différences sont mises en évidence ci-dessous :

Tableau 8.2 - Exigences ANSI pour les conduits d'évacuation des appareils de chauffage

Catégorie	Description	Exigences d'évacuation
I	Pression d'évacuation négative sans condensation	Suivez les exigences d'évacuation standard.
II	Pression d'évacuation négative avec condensation	Le condensat doit pouvoir s'égoutter.
III	Pression d'évacuation positive sans condensation	Le conduit d'évacuation doit être étanche aux gaz.
IV	Pression d'évacuation positive avec condensation	Le tuyau d'évacuation doit être étanche aux liquides et aux gaz. Le condensat doit pouvoir s'égoutter.

Remarque : Les tuyaux de raccordement desservant des appareils de catégorie I ne doivent pas être reliés à une partie d'un système d'évacuation à tirage mécanique fonctionnant avec une pression positive.

Évacuation verticale catégorie I

- Conduit vertical débouchant verticalement (vers le haut) (exemple à la figure 9.1).
- La partie horizontale du circuit ne doit pas dépasser 75 % de la hauteur verticale (Exemple : Si la hauteur est 3 m (10 pi), la partie horizontale ne doit pas dépasser 2,3 m (7,5 pi).
- Le niveau de la sortie du système d'évacuation doit être à au moins 1,5 m (5 pi) au-dessus du raccord de l'appareil.
- Si le système d'évacuation respecte TOUTES ces exigences (voir l'exemple de la figure 9.1), passez à la section B – Installation des systèmes d'évacuation verticale. Dans tous les autres cas, passez à la section suivante « Détermination du système d'évacuation horizontal Catégorie III ».

Évacuation horizontale de catégorie III

- Conduit horizontal débouchant horizontalement (sur le côté du bâtiment) (exemple à la figure 10.2).
- Un système d'évacuation qui se termine verticalement, mais comporte une partie horizontale de plus de 75 % de sa hauteur verticale est considéré comme horizontal.
- Les configurations d'évacuation horizontales appartiennent à la catégorie III. Des exigences supplémentaires sont traitées à la Section C – Installation de système d'évacuation horizontale de catégorie III.

INSTALLATION – ÉVACUATION

A9. Si le tuyau traverse une cloison ou un plancher INTÉRIEUR combustible, la traversée doit être munie d'un manchon métallique ayant un diamètre de 10 cm (4 po) de plus que le tuyau. Si le tuyau situé entre l'appareil et la traversée du mur ou du plancher a une longueur supérieure à 1,8 m (6 pi), le manchon peut avoir un diamètre de 5 cm (2 po) seulement de plus que le tuyau. S'il n'y a pas de manchon de traversée, tous les matériaux combustibles doivent être découpés pour assurer un dégagement d'au moins 15 cm (6 po) tout autour du tuyau. Sous réserve de l'accord des autorités compétentes locales, une évacuation de type B peut être utilisée comme dernier tronçon du conduit d'évacuation pour maintenir une distance par rapport aux combustibles lors du passage à travers le mur ou le plancher. Voir la figure 6.1 Tout matériau utilisé pour boucher cette ouverture doit être incombustible.

A10. Toutes les rivures et tous les joints des tuyaux à simple paroi doivent être scellés avec du ruban métallique ou Silastic certifié pour 204 °C (400 °F). Le ruban doit être enroulé deux fois autour du tuyau. Une section continue de tuyau d'évacuation à double paroi peut être utilisée dans le système d'évacuation pour la traversée du mur jusqu'à un chapeau d'évacuation listé. Voir le point A11 de la section A – Instructions générales – Tous modèles pour les transitions entre double paroi et simple paroi.

A11. Instructions générales pour l'installation du tuyau de chapeau à double paroi (type B) :

Raccordement d'un chapeau de cheminée à paroi simple à un tuyau d'évacuation à double paroi (type B) :

1. Recherchez la flèche « de sens » sur le tuyau d'évacuation.
2. Fixez le chapeau de cheminée à l'extrémité du tuyau d'évacuation à double paroi.
3. Percez (3) avant-trous à travers le tuyau et le chapeau de cheminée. Utilisez des vis à tôle de 3/4 po pour fixer le chapeau au tuyau. Ne serrez pas trop.

Comment fixer un tuyau d'évacuation à paroi simple à un tuyau de cheminée à double paroi (type B) :

1. Enfoncez le tuyau à simple paroi dans la paroi interne du tuyau à double paroi.
2. Percez trois avant-trous à travers les deux épaisseurs des tuyaux. Utilisez des vis à tôle de 3/4 po pour fixer les deux tuyaux. Ne serrez pas trop.
3. L'espace annulaire entre les tuyaux à double et à simple paroi doit être scellé, mais il n'est pas nécessaire de remplir tout le volume. Pour fermer l'ouverture annulaire, appliquez un large boudin de Silastic 400 °F (205 °C).

A12. Les dégagements doivent être maintenus jusqu'à la sortie du conduit d'évacuation :

Tableau 7.1 - Des renseignements sur les dégagements de terminaison des événements

L'événement doit se terminer:	Structure de l'organisation	Étalon de référence
3 pieds au-dessus	Entrée d'air forcé dans un rayon de 10' (États-Unis)	NFPA 54
6 pieds dans toutes les directions	Entrée d'air forcé (Canada)	CSA B149.1
3 pieds dans toutes les directions	Entrée d'air de combustion d'un autre appareil	CSA B149.1
4 pieds au-dessus, 4 pieds à l'horizontale ou 1 pied au-dessus	Fenêtre de porte, entrée d'air par gravité ou toute ouverture de bâtiment (États-Unis)	NFPA 54
3 pieds dans toutes les directions	Fenêtre de porte, entrée d'air par gravité ou ouverture d'un bâtiment (Canada)	CSA B149.1
3 pieds horizontaux ①	Compteur d'énergie électrique, compteur de gaz, régulateur de gaz et équipement de secours	CSA B149.1
3 pieds dans toutes les directions	Bâtiment adjacent, bâtiment adjacent ou mur de parapet	Modine
7 pieds dans toutes les directions	Passerelles publiques adjacentes	NFPA 54/CSA B149.1
1 pied au-dessus	Grade (rez-de-chaussée)	NFPA 54/CSA B149.1
1 pied en dessous ou 1 pied au-delà	Avant-toit avec porte-à-faux de 24 pouces ou moins	Modine
3 pieds en dessous ou 1 pied au-delà	Avant-toit avec un porte-à-faux de plus de 24 pouces	Modine

① L'événement ne doit pas déboucher au-dessus d'un compteur ou d'un régulateur de gaz. Recommandations fondées sur la norme CSA B149.1 et la norme NFPA 54. La ventilation doit être conforme à la révision en vigueur applicable des codes d'installation locaux et nationaux.

AVERTISSEMENT

1. Un système d'évacuation est obligatoire pour les appareils de chauffage au gaz – ne les faites jamais fonctionner sans évacuation des gaz.
2. Un extracteur intégré assure la circulation des gaz – il est inutile ou interdit d'installer un dispositif d'extraction externe supplémentaire.
3. Si un appareil de chauffage existant est remplacé, vous devrez peut-être redimensionner les systèmes d'évacuation des gaz. Un système de ventilation de diamètre insuffisant peut causer des refoulements de gaz brûlés ou la formation de condensat. Reportez-vous au National Fuel Gas Code ANSI Z223.1 (NFPA 54) ou à la dernière édition de la norme CSA B149.1. Le non-respect de ces instructions peut se solder par des blessures graves, voire mortelles.
4. Il est interdit d'accoupler deux longueurs de tuyau à double paroi dans une même installation d'évacuation horizontale à cause de l'impossibilité de vérifier l'étanchéité des raccords du tuyau intérieur.

ATTENTION

L'installation doit se faire conformément aux codes locaux de la ventilation ou, à défaut de tels codes, conformément à la Partie 7 « Venting of Equipment » du National Fuel Gas Code, ANSI Z223.1 (NFPA 54) – dernière édition. Au Canada, l'installation doit se faire conformément à la norme CSA B149.1.

Le circuit d'évacuation du modèle PTF doit être conforme aux descriptions des présentes instructions pour conduire les gaz de combustion de l'appareil ou de son raccord de sortie vers l'atmosphère extérieure. Les instructions d'évacuation sont organisées en sections, selon le type d'installation. Ces sections sont identifiées de la manière suivante :

Instructions	Instructions générales applicables à TOUTES les installations	B	Systèmes d'évacuation VERTICALE CATÉGORIE I ①
Instructions	Instructions d'installation par type de système d'évacuation	C	Systèmes d'évacuation HORIZONTALE CATÉGORIE III ①

① Les différences entre les systèmes verticaux et horizontaux seront identifiées à la « Section A – Instructions générales – tous modèles ».

Section A - Instructions générales - Tous modèles

A1. Si l'appareil que vous installez remplace un équipement existant et utilise le même système d'évacuation, inspectez le système d'évacuation pour vérifier que les diamètres et la pente des tuyaux sont conformes aux exigences du National Fuel Gas Code ANSI Z223.1 (NFPA 54) ou du code d'installation CSA B149.1, dernière édition, et aux présentes instructions. Déterminez s'il n'y a pas d'obstructions, de restriction, de fuite, de corrosion ou d'autres déficiences pouvant créer un risque.

A2. Le tuyau d'évacuation des gaz doit être un tuyau en acier galvanisé ou autre matière résistante bien à la corrosion. L'épaisseur minimale du conduit d'évacuation est spécifiée dans le National Fuel Gas Code. L'épaisseur minimale des raccords dépend du diamètre du tuyau. N'utilisez jamais des tuyaux de cheminée en PVC ou autres types de plastique.

A3. Tous les appareils de chauffage sont fournis avec un adaptateur d'évacuation installé en usine permettant d'attacher le tuyau d'évacuation à l'appareil de chauffage (tableau 6.1). Attachez le tuyau d'évacuation des gaz à l'adaptateur à l'aide de 3 vis résistant à la corrosion. Percez des avant-trous à travers le tuyau d'évacuation et l'adaptateur avant de visser. Le tuyau d'évacuation des gaz ne doit pas être d'un diamètre inférieur à celui du connecteur.

A4. Pour les longueurs totales minimales et maximales des tuyaux afin de rendre le système le plus rectiligne possible, consultez le tableau 6.1. La longueur équivalente d'un coude de 90° est de 1,5 m (5 pi) pour 10 cm (4 po) de diamètre et de 2,1 m (7 pi) pour 15,2 cm (6 po) de diamètre.

Tableau 6.1 - Diamètres de tuyau d'évacuation, transitions et longueurs de tuyau d'évacuation équivalentes totales pour les systèmes d'évacuation horizontaux

Taille de modèle	Diamètre de conduit d'évacuation		Longueur de tuyau d'évacuation équivalente
	Minimum	Maximum	
150	4 po	3 pi	50 pi
175-200	4 po	3 pi	70 pi
250-400	6 po	3 pi	70 pi

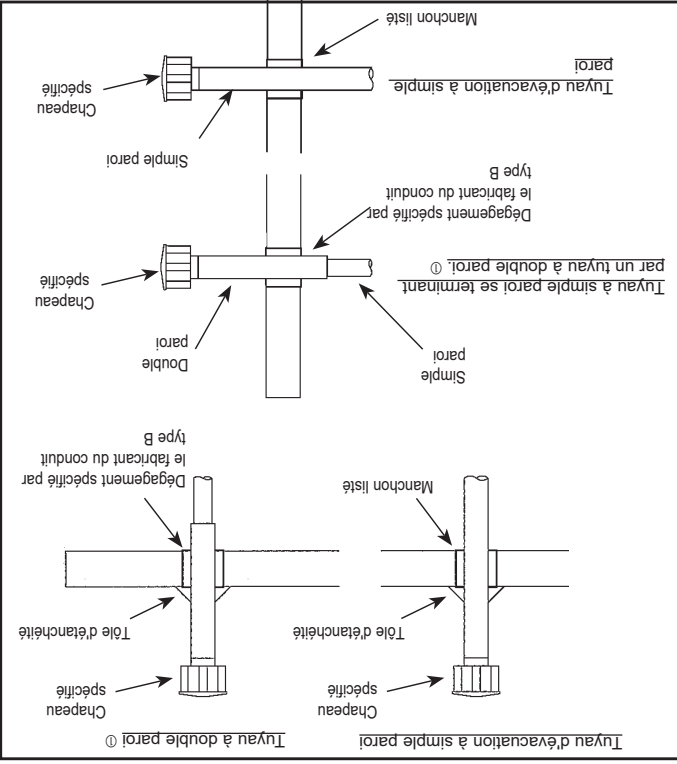
A5. Les sections horizontales du tuyau d'évacuation doivent être installées avec une pente ascendante ou descendante de l'appareil de 1/4 de pouce par pied et doivent être suspendues de manière sécurisée à des structures suspendues à des points ne dépassant pas 3 pi.

A6. Les tuyaux doivent être fixés les uns aux autres par au moins 3 vis à tôle anticorrosion.

A7. Les tuyaux à simple paroi doivent être éloignés d'au moins 15 cm (6 po) des surfaces combustibles. Pour des tuyaux à double paroi, suivez les instructions du fabricant en matière de dégagement. La distance minimum des matières combustibles dépend de la température de surface de la matière combustible ne devant pas dépasser 71 °C. Il est possible que la distance par rapport au tuyau de ventilation (ou au haut de l'appareil) doit être augmentée à plus de 15 cm (6 po) si la chaleur risque de causer des dommages autres que le feu (comme des déformations ou une altération de couleur).

A8. Évitez de faire passer le conduit à travers un espace non chauffé, dans la mesure du possible. Si le tuyau traverse un espace non chauffé ou si l'appareil est installé dans un environnement propice à la condensation, il faudra isoler toute longueur de tuyau de plus de 1,5 m (5 pi) afin de minimiser la condensation. Assurez-vous qu'il n'y a pas de fuites et utilisez un isolant non combustible avec un indice non inférieur à 204 °C (400 °F). Installez un raccord en té au point bas du système de ventilation et fournissez un collecteur de condensats avec un bouchon de nettoyage, comme illustré à la figure 9.1.

Figure 6.1 - Cheminée traversant un mur ou un toit combustible



① Consultez les instructions A12 pour savoir comment attacher un tuyau à simple paroi à un tuyau à double paroi.

ATTENTION

1. N'installez pas les appareils à moins de 7 pi (distance mesurée entre le bas de l'appareil et le sol dans les applications commerciales), sauf s'ils sont équipés de barrières adéquates pour protéger l'utilisateur des composants en mouvement.
2. Vérifiez qu'il n'y a pas d'obstacle devant la prise d'air et la sortie d'air chaud.
3. La distance minimum des matériaux combustibles dépend de la température de surface du matériau combustible ne dépassant pas 160 °F. Au-dessus de l'appareil, il faudra peut-être laisser un dégagement supérieur au minimum spécifié si des matériaux placés au-dessus de l'appareil à la température indiquée risquent de subir des dommages thermiques, autres que le feu.
4. Prévoyez un dégagement de 18 po à l'arrière (ou de 12 po au-delà de l'extrémité du moteur, à l'arrière de l'appareil, selon la plus grande des deux valeurs), et du côté de la porte d'accès pour assurer assez d'air au bon fonctionnement du ventilateur.

1. Assurez-vous que les pièces de suspension peuvent supporter le poids de l'appareil (voir la page 18 pour les poids).
2. Pour bien fonctionner, l'appareil doit être installé à l'horizontale.
3. Les distances aux matériaux combustibles comme spécifié au tableau 4.1 doivent être strictement maintenues.
4. Tous les modèles de série sont expédiés en boîte. Les modèles de taille supérieure sont également fournis avec une plate-forme de soutien au fond de la boîte. Les plus grands modèles pourront être soulevés par en dessous à l'aide d'un chariot élévateur à fourches ou d'un autre appareil de levage, uniquement si la plate-forme de soutien reste en place et que les fourches soutiennent l'appareil sur toute sa profondeur. Si l'appareil doit être soulevé par en dessous pour l'installation finale sans le carton en place, veillez à soutenir correctement l'appareil sur toute sa longueur et sa largeur pour éviter de l'endommager. Lorsque vous soulevez les appareils, assurez-vous que la charge est équilibrée.
5. Les modèles à hélice ont quatre trous de montage. Les modèles peuvent être montés avec une tige filetée de 3/8 po-16 comme suit :
 - Sur chaque section de tige filetée utilisée, vissez un écrou sur une distance de 1 po environ sur l'extrémité des tiges filetées qui seront vissées sur l'appareil de chauffage.
 - Placez une rondelle sur l'extrémité de la tige filetée et vissez la tige filetée sur les écrous à souder de l'appareil de chauffage sur le dessus de l'appareil de chauffage en donnant 5 tours minimum, mais pas plus de 10. Serrez le premier écrou installé sur la tige filetée pour éviter la rotation de la tige.
 - Percez des trous dans un canal en acier ou une cornière aux mêmes dimensions de ligne centrale que l'appareil de chauffage en cours d'installation. Les canaux en acier ou cornières devront être attachés aux éléments de structure appropriés.
 - Coupez les tiges filetées à la longueur voulue, enfitez-les dans les trous du canal en acier ou de la cornière, puis fixez par des rondelles et des contre-écrous ou des rondelles d'arrêt et des écrous. Une configuration à double écrou peut être utilisée ici plutôt qu'au niveau de l'appareil de chauffage (un double écrou peut être utilisé aux deux endroits, mais ce n'est pas une obligation).
 - N'installez pas les appareils de chauffage de série au-dessus de la hauteur d'installation maximum indiquée au tableau 22.1 et 22.2

REMARQUE : Un kit d'adaptateur pour suspension de tuyau, illustré à la figure 5.3, est fourni. disponible en accessoire. Un kit comprend des trous de 3/4 " Bouchons de tuyaux IPS et vis à tête 3/8 " - 16 x 1-3 / 4" pour la facilité tube de suspension fileté.

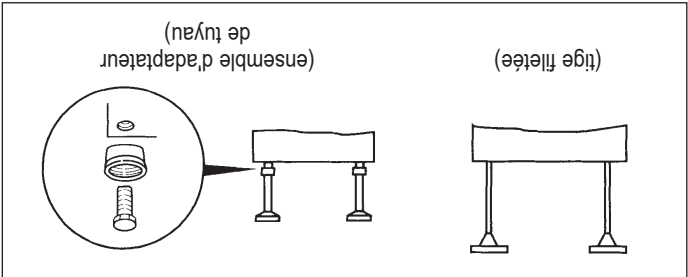


Figure 5.1 - Méthodes de suspension des appareils de chauffage

Les appareils ne doivent pas être installés à un endroit où ils risquent d'être exposés à une atmosphère potentiellement explosive ou inflammable.

! DANGER

! ATTENTION

1. Les dégagements aux matériaux combustibles sont essentiels. Assurez-vous de suivre toutes les exigences mentionnées.
2. Les appareils de chauffage sont conçus pour être utilisés dans des applications où la température ambiante de départ est comprise entre -40 et 90 ° F et la température ambiante de fonctionnement entre 40 et 90 ° F.
3. L'appareil n'est pas conçu pour être installé à l'extérieur.
4. Dans les garages ou dans certaines parties des hangars d'aviation, comme les bureaux et les ateliers qui communiquent avec des endroits réservés à l'entretien ou à l'entreposage, le bas de l'appareil doit être placé à au moins 7 pi du sol, sauf si des protections adéquates sont installées pour protéger convenablement l'appareil. Dans les stationnements, l'appareil doit être installé conformément à la norme relative aux structures de stationnement ANSI/NFPA 88A (dernière édition), et dans les garages de réparation, conformément à la norme NFPA 30A (dernière édition) (ex-NFPA 88B). Au Canada, l'installation d'appareils de chauffage dans des hangars d'aviation doit être effectuée conformément aux exigences de l'autorité de réglementation et, dans les garages publics, conformément aux codes courants CSA B149.
5. Dans un hangar d'aviation, le bas de l'appareil doit être à au moins 10 pi au-dessus de la plus haute surface des ailes ou d'un capot moteur, pour l'avion le plus haut que le hangar accueille et doit respecter les prescriptions de l'autorité de réglementation et/ou de la norme NFPA 409 – dernière édition.
6. Si l'appareil est installé dans un environnement très humide ou salin, il sera soumis à une corrosion accélérée qui réduira sa durée de vie normale.

IMPORTANT

Pour éviter la panne prématurée de l'échangeur de chaleur, ne placez AUCUN appareil à gaz à des endroits où des vapeurs corrosives (chlorées, halogénées ou acides) sont présentes.

Recommandations pour le choix de l'emplacement

1. Les facteurs à considérer pour le choix de l'emplacement de l'appareil de chauffage sont les distances prescrites et les besoins de chauffage, l'endroit où se trouve l'arrivée du gaz et l'entrée électrique, ainsi que la proximité des conduits d'évacuation.
2. Lors du choix de l'emplacement d'installation, il est important de prendre en considération le raccordement de la tuyauterie d'évacuation vers l'atmosphère extérieure. Les longueurs de tuyauterie d'évacuation équivalentes maximums apparaissent à « Section A – Instructions générales – tous modèles » des instructions d'évacuation des gaz.
3. Assurez-vous que le support de l'appareil est assez solide pour porter son poids. Pour les poids, reportez-vous à la page 18. Pour bien fonctionner, l'appareil doit être installé à l'horizontale.
4. N'installez pas l'appareil à un endroit où ses gaz brûlés pourraient être aspirés à l'intérieur d'un édifice voisin par une fenêtre, une prise d'air frais, etc.
5. Veillez à respecter les distances minimums des matériaux combustibles et les dégagements recommandés pour maintenance. Les distances d'installation et les dégagements minimums sont indiqués à la figure 4.1 et au tableau 4.1.

Figure 4.1 - Matières combustibles et dégagements

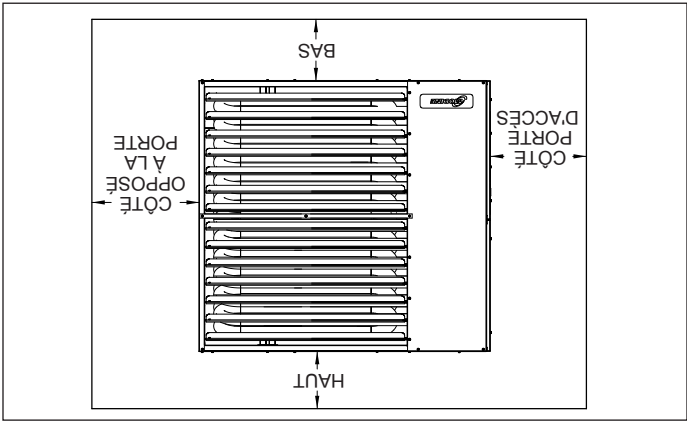


Tableau 4.1 - Dégagements

Dégagement recommandé pour la maintenance	Distance minimum des matières combustibles	Haut et bas	6 po	18 po
		Côté porte d'accès	6 po	18 po
		Côté opposé à la porte	6 po	18 po
		Arrière	18 po	18 po
		Raccord évacuation	6 po	18 po

Exigences en matière d'air de combustion

Le National Fuel Gas Code définit un « espace clos » comme un espace dont le volume est supérieur à 1,41 mètre cube (50 pieds cubes) par débit calorifique de 1000 BTU/h de l'appareil ou des appareils installés. Un espace offrant un volume de moins de 1,41 mètre cube (50 pieds cubes) par tranche de 1000 BTU/h de puissance calorifique installée est considéré comme un espace clos.

Pour les appareils installés dans des bâtiments hermétiquement fermés ou des espaces confinés, deux ouvertures permanentes doivent être prévues – une près du haut de l'espace confiné, l'autre près du bas. Chaque ouverture doit avoir un espace libre d'au moins 6,45 cm² (1 po²) par tranche de 1000 BTU/h de puissance calorifique totale de tous les appareils qui se trouvent dans un espace confiné, et doit communiquer librement avec les zones intérieures, lesquelles doivent avoir une infiltration adéquate de l'extérieur.

Pour des détails sur l'apport d'air de combustion dans un espace confiné (hermétiquement fermé) ou non confiné, consultez le National Fuel Gas Code ANSI Z223.1 (NFPA 54) ou le code d'installation CSA B149.1, dernière édition.

Niveaux sonores et de vibrations

Tout équipement mécanique standard génère bruit et vibrations pouvant exiger une atténuation. Les bibliothèques, les bureaux privés et les hôpitaux exigent une atténuation acoustique supplémentaire, et dans ce cas, un consultant en acoustique devra être engagé pour vous faciliter la tâche. L'éloignement de l'équipement de la zone critique est souhaitable dans les limites imposées par les gaines. Généralement, l'appareil doit être placé dans un rayon de 4,5 m d'un bras support principal. De légères déviations diminueront généralement la transmission de vibrations et de bruit.

PRÉCAUTIONS PARTICULIÈRES / FACTEURS DE CONVERSION SI (SYSTÈME MÉTRIQUE) / EMPACEMENT D'INSTALLATION

AVANT DE COMMENCER

ATTENTION

1. Toute la documentation livrée avec l'appareil doit être conservée pour référence lors des opérations d'entretien et de diagnostic des panes. Laissez le manuel au propriétaire. Ne jetez aucune documentation fournie avec cet appareil.
2. Étudiez les instructions en matière de tuyauterie, de câblage électrique et d'évacuation des gaz de ce manuel avant d'effectuer l'installation finale.
3. Ne raccordez pas les gaines, les filtres à air ou les faisceaux de tubes à un aérotherme.

1. Aux États-Unis, l'installation de ces appareils doit se faire conformément au code « National Fuel Gas Code », ANSI Z223.1, dernière édition (NFPA 54) et aux autres codes du bâtiment locaux applicables. Au Canada, l'installation de ces appareils doit se faire conformément aux codes locaux de la plomberie et des eaux usées, et aux autres codes applicables, ainsi qu'à la version courante du code CSA B149.
1. Toutes les opérations d'installation et d'entretien de ces appareils doivent uniquement être confiées à une entreprise qualifiée, telle que définie dans la dernière édition de la norme ANSI Z223.1 (NFPA 54) ou, au Canada, par un installateur de gaz certifié.
2. Cet appareil est listé avec le système de commande fourni. Veuillez commander les pièces de rechange d'après la liste de pièces qui se trouve sur la plaque signalétique. Ayez toujours à portée de la main les numéros de modèle et de série. Modifiez la réserve le droit de substituer d'autres commandes listées comme pièces de rechange.
3. L'appareil est équilibré pour un fonctionnement correct. N'altérez pas le ventilateur et ne faites pas tourner les moteurs à des régimes inférieurs à ce qui est stipulé dans ce manuel.
4. La documentation sur les organes de régulation est fournie séparément.
5. Le même brûleur convient pour le gaz naturel et pour le propane.

Facteurs de conversion SI (système métrique)

Pour convertir	Multipliez par	Pour obtenir
°F	(°F-32) x 5/9	°C
BTU	1,06	KJ
BTU/p³	37,3	KJ/m³
BTU/h	0,000293	KW/h
CFH (p³/h)	0,000472	m³/min
CFH (p³/min)	0,00000787	m³/s
CFM (p³/min)	0,0283	m³/min
CFM (p³/min)	0,000472	m³/s
Gal/h	3,79	l/h
gallons	3,79	l
cheval-vapeur	746	W
pouces	25,4	mm
livre	0,454	kg
psig	6,89	kPa
psig	27,7	po C.E.

ATTENTION

15. La purge de l'air des tuyauteries de gaz doit se faire selon la procédure ANSI Z223.1 (NFPA 54) de la dernière édition du National Fuel Gas Code. Au Canada, l'installation doit se faire selon le code CSA B149.1.
16. Pour l'essai d'étanchéité des tuyauteries d'alimentation en gaz, l'appareil et son régulateur de gaz combiné doivent être isolés pour tout essai fait à une pression dépassant 14 po C.E. (1/2 psi).
17. L'appareil devrait être isolé de la conduite d'alimentation en gaz par la fermeture d'un robinet d'arrêt manuel posé à l'installation. Ce robinet d'arrêt doit être dans un rayon de 6 pi autour de l'appareil.
18. Fermez l'arrivée générale de gaz avant d'installer l'appareil.
19. Vérifiez que la tension d'alimentation inscrite sur la plaque de l'appareil est inférieure de moins de 5 % à la tension nominale.
20. Mesurez la pression d'entrée du gaz en amont du régulateur de gaz combiné. La pression d'entrée de l'appareil doit être de 6 à 7 po C.E. pour le gaz naturel ou de 13 à 14 po C.E. pour le propane. Si la pression d'entrée est trop élevée, installez un détendeur supplémentaire en amont du régulateur de gaz combiné.
21. L'entretien et les réparations de l'appareil doivent être confiés à un centre de SAV qualifié.
22. N'essayez pas de réutiliser un contrôleur d'allumage mécanique ou électronique qui a été mouillé. Remplacez tout contrôleur défectueux.

IMPORTANT

1. Pour éviter la panne prématurée de l'échangeur de chaleur, ne placez AUCUN appareil à gaz à des endroits où des vapeurs corrosives (chlorées, halogénées ou acides) sont présentes dans l'atmosphère.
2. Pour éviter une défaillance prématurée de l'échangeur de chaleur, l'apport calorifique du gaz utilisé ne doit pas excéder de plus de 5 % la valeur nominale inscrite sur la plaque signalétique de l'appareil.
3. Les procédures de démarrage et de réglage doivent être confiées à un centre de SAV qualifié.

PRÉCAUTIONS PARTICULIÈRES

PRÉCAUTIONS PARTICULIÈRES

LES INSTRUCTIONS D'INSTALLATION ET D'ENTRETIEN DE CE MANUEL DOIVENT

ÊTRE RESPECTÉES POUR ASSURER UN FONCTIONNEMENT SÉCURITAIRE,

EFFICACE ET SANS PROBLÈMES. IL CONVIENT ÉGALEMENT DE RESPECTER

RIGOREUSEMENT LES PRÉCAUTIONS PARTICULIÈRES INDICÉES CI-APRÈS. LA

NON-CONFORMITÉ À CES PRÉCAUTIONS PRIMORDIALES PEUT CAUSER DES

DOMMAGES MATÉRIELS OU DES PERTES, DES BLESSURES OU LA MORT. CES

INSTRUCTIONS SONT DONNÉES SOUS RÉSERVE DE DISPOSITIONS PLUS

RESTRICTIVES DANS LES CODES LOCAUX OU NATIONAUX.

HIÉRARCHIE DES NIVEAUX DE RISQUES

1. **DANGER** : Indique un danger imminent qui, s'il n'est pas évité, entraînera l'INÉVITABLEMENT des blessures graves, voire mortelles.
2. **AVERTISSEMENT**: Indique un danger potentiel qui, s'il n'est pas évité, POURRAIT engendrer des blessures graves, voire mortelles.
3. **ATTENTION** : Indique un danger potentiel qui, s'il n'est pas évité, PEUT engendrer des blessures mineures ou modérées.
4. **IMPORTANT** : Indique une situation qui, si elle n'est pas évitée, PEUT poser un problème de sécurité.

! DANGER

Les appareils ne doivent pas être installés à un endroit où ils risquent d'être exposés à une atmosphère potentiellement explosive ou inflammable.

! AVERTISSEMENT

1. Un système d'évacuation est obligatoire pour les appareils de chauffage au gaz – ne les faites jamais fonctionner sans évacuation des gaz.
2. Un extracteur intégré assure la circulation des gaz – il est inutile ou interdit d'installer un dispositif d'extraction externe supplémentaire.
3. Si un appareil de chauffage existant est remplacé, vous devez peut-être redimensionner les systèmes d'évacuation des gaz. Un système de ventilation de diamètre insuffisant peut causer des retoulements de gaz brûlés ou la formation de condensat. Reportez-vous au National Fuel Gas Code ANSI Z223.1 (NFPA 54) ou à la dernière édition de la norme CSA B149.1. Le non-respect de ces instructions peut avoir des conséquences graves ou mortelles.
4. Il est interdit d'accoupler deux longueurs de tuyau à double paroi dans une même installation d'évacuation horizontale à cause de l'impossibilité de vérifier l'étanchéité des raccords du tuyau intérieur.
5. Toutes les tuyauteries de gaz extérieures doivent être soumises à des essais de pression et d'étanchéité avant la mise en marche. Ne recherchez jamais les fuites avec une flamme nue. Utilisez plutôt de l'eau savonneuse ou un produit équivalent.
6. La pression de gaz au régulateur de l'appareil ne doit jamais dépasser 14 po C.E. (1/2 psi).
7. Pour réduire les risques de condensation, le pouvoir calorifique minimum du gaz (au niveau de la mer) ne doit pas être inférieur de plus de 5 % à la valeur minimale nominale figurant sur la plaque signalétique de l'appareil ou de 5 % à la valeur la plus basse des appareils à double alimentation.
8. Débranchez l'alimentation électrique avant de faire les connexions pour éviter les décharges électriques et les dommages à l'équipement.
9. Tous les branchements et câblages doivent être faits en stricte conformité avec le schéma fourni avec l'appareil. Tout câblage différent de celui du schéma peut créer des risques de dommages matériels ou de blessures.
10. Tout câblage usine exigeant un remplacement doit être remplacé par un câble d'indice thermique nominal de 105 °C.
11. Assurez-vous que la tension d'alimentation n'est pas supérieure de plus de 5 % à la tension nominale inscrite sur la plaque de l'appareil.

! AVERTISSEMENT

12. Pour l'entretien et les réparations de cet appareil, n'utilisez que des pièces approuvées par le fabricant. Pour la liste complète des pièces de rechange, adressez-vous au fabricant. Le numéro de modèle complet, le numéro de série et l'adresse du fabricant figurent sur la plaque signalétique fixée à l'appareil. Toute substitution de pièce ou de commande non approuvée par le fabricant sera aux risques du propriétaire.

! ATTENTION

1. Toute la documentation livrée avec l'appareil doit être conservée pour référence lors des opérations d'entretien et de diagnostic des panneaux. Ne jetez aucune documentation fournie avec cet appareil.
2. Étudiez les instructions en matière de tuyauterie, de câblage électrique et d'évacuation des gaz de ce manuel avant d'effectuer l'installation finale.
3. Ne raccordez pas les gaines, les filtres à air ou les faisceaux de tubes à un aérotherme.
4. Les dégagements par rapport aux matériaux combustibles adjacents sont essentiels. Assurez-vous de respecter toutes les exigences mentionnées.
5. Les appareils de chauffage sont conçus pour être utilisés dans des applications où la température ambiante de départ est comprise entre -40 et 90 °F et la température ambiante de fonctionnement entre 40 et 90 °F.
6. L'appareil n'est pas conçu pour être installé à l'extérieur.
7. Dans les garages ou dans d'autres sections des hangars d'aéronauts, comme les bureaux et les ateliers qui communiquent avec des endroits réservés à l'entretien ou à l'entreposage, le bas de l'appareil doit être placé à au moins 2,13 m (7 pi) du sol, sauf si vous installez aussi des protections adéquates pour éviter les contacts avec des pièces mobiles. Dans les stationnements, l'appareil doit être installé conformément à la norme relative aux structures de stationnement ANSI/NFPA 88A (dernière édition), et dans les garages de réparation, conformément à la norme NFPA 30A (dernière édition) (ex-NFPA 88B). Au Canada, l'installation d'appareils de chauffage dans des hangars d'aviation doit être effectuée conformément aux exigences de l'autorité de réglementation et, dans les garages publics, conformément aux codes courants CSA B149.
8. Dans un hangar d'aviation, le bas de l'appareil doit être à au moins 10 pi au-dessus de la plus haute surface des ailes ou d'un capot moteur, pour l'avion le plus haut que le hangar accueille et doit respecter les prescriptions de l'autorité de réglementation et/ou de la norme NFPA 409, dernière édition.
9. Si l'appareil est installé dans un environnement très humide ou sailli, il sera soumis à une corrosion accélérée qui réduira sa durée de vie normale.
10. N'installez pas les appareils à moins de 7 pi (distance mesurée entre le bas de l'appareil et le sol dans les applications commerciales), sauf s'ils sont équipés de barrières adéquates pour protéger l'utilisateur des composants en mouvement.
11. Vérifiez qu'il n'y a pas d'obstacle devant la prise d'air et la sortie d'air chaud.
12. La distance minimum des matières combustibles dépend de la température de surface de la matière combustible ne devant pas dépasser 71 °C. Au-dessus de l'appareil, il faudra peut-être laisser un dégagement supérieur au minimum spécifié si des matériaux placés au-dessus de l'appareil à la température indiquée risquent de subir des dommages thermiques, autres que le feu.
13. Prévoyez un dégagement de 18 po à l'arrière (ou de 12 po au-delà de l'extrémité du moteur, à l'arrière de l'appareil, selon la plus grande des deux valeurs), et du côté de la porte d'accès pour assurer assez d'air au bon fonctionnement du ventilateur.
14. L'installation doit se faire conformément aux codes locaux de la construction ou, à défaut de tels codes, conformément au National Fuel Gas Code, ANSI Z223.1 (NFPA 54), dernière édition. Au Canada, l'installation doit se faire conformément à la norme CSA B149.1.



MANUEL D'INSTALLATION ET DE MAINTENANCE appareils de chauffage alimentés au gaz à ventilation électrique Modèle PTP et BTP



Tous les modèles approuvés pour une utilisation en Californie par le CEC et au Massachusetts. L'appareil de chauffage est certifié pour les applications non résidentielles.

POUR VOTRE SÉCURITÉ

L'utilisation et le stockage d'essence ou d'autres vapeurs et liquides inflammables dans des récipients ouverts à proximité de cet appareil sont dangereux.

IMPORTANT

Ce manuel est spécifiquement destiné au personnel d'une entreprise d'installation et d'entretien qualifiée. Toutes les opérations d'installation et d'entretien doivent être confiées à une entreprise qualifiée.

- Inspection à la réception**
1. Inspectez l'appareil à la livraison. Signalez immédiatement tout dommage au transporteur et avisez le représentant commercial local de Modine.
 2. Vérifiez la plaque signalétique pour déterminer si les caractéristiques de l'appareil correspondent au secteur électrique disponible au point d'installation.
 3. Inspectez l'appareil à la réception pour vous assurer qu'il est conforme à la description du produit commandé (y compris aux spécifications, s'il y a lieu).

Table des matières

Inspection à l'arrivée 1

Précautions spéciales 2

Facteurs de conversion métrique (SI) 3

Avant de commencer 3

Emlacement d'installation 4

Matières combustibles et dégagements 4

Montage de l'appareil 5

Installation 6

Ventilation 6

Raccordements au gaz 11

Ensemble d'accessoires pour haute altitude 12

Branchements électriques 14

Mode d'emploi 15

Éléments constitutifs 21

Données de performance – Généralités 22

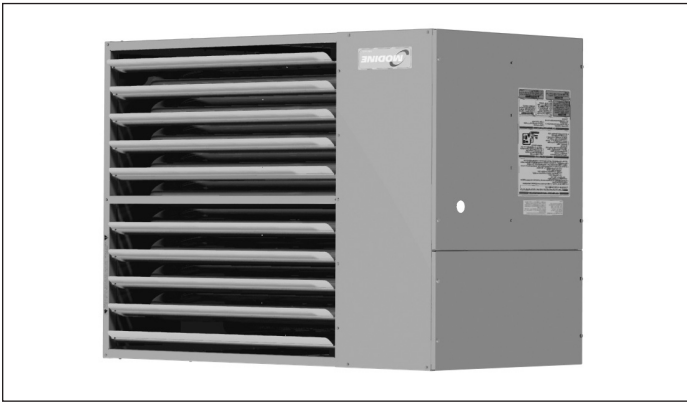
Données de performance – Hottes orientées vers le bas 23

Dimensions 24

Entretien – maintenance – dépannage 26

Numéro de série ou de modèle et pièces de rechange 27

Garantie commerciale Deux dernières pages



⚠️ AVERTISSEMENT

1. Une installation, des réglages, des modifications ou un entretien inappropriés peuvent causer des dommages matériels, des blessures ou la mort, ainsi que l'exposition à des substances reconnues par divers organismes officiels comme causant des cancers, des malformations congénitales ou des anomalies du système reproducteur. Lisez attentivement les instructions d'installation, d'utilisation et d'entretien avant d'installer ou d'entretenir cet appareil.
2. AUCUN appareil fonctionnant au gaz ne devrait être installé dans des locaux dont l'atmosphère contient des vapeurs chlorées, halogénées ou acides. Ces substances peuvent causer une défaillance prématurée de l'échangeur de chaleur, en raison de la corrosion, laquelle peut provoquer des dommages matériels, des blessures graves ou même la mort.

POUR VOTRE SÉCURITÉ

SI VOUS SENTEZ UNE ODEUR DE GAZ :

1. Ouvrez les fenêtres.
2. Ne tentez d'allumer aucun autre appareil.
3. Ne touchez pas aux interrupteurs électriques et n'utilisez aucun téléphone dans votre édifice.
4. Éteignez toute flamme nue.
5. Appelez immédiatement votre compagnie de gaz depuis le téléphone d'un voisin. Suivez les instructions de la compagnie de gaz. Si vous ne pouvez pas contacter votre compagnie de gaz, appelez les pompiers.