

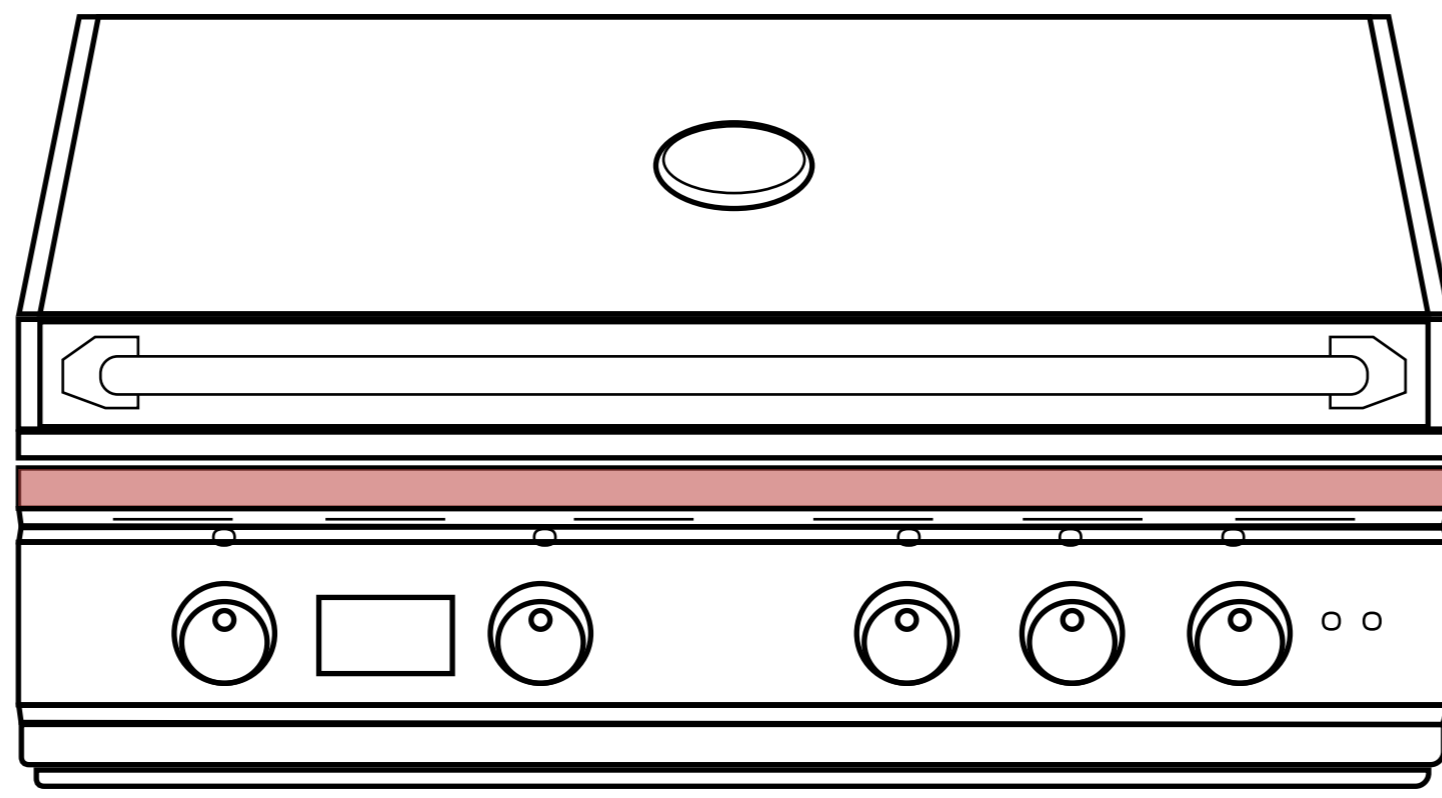


SUMMERSET
PROFESSIONAL GRILLS

38" - TRL

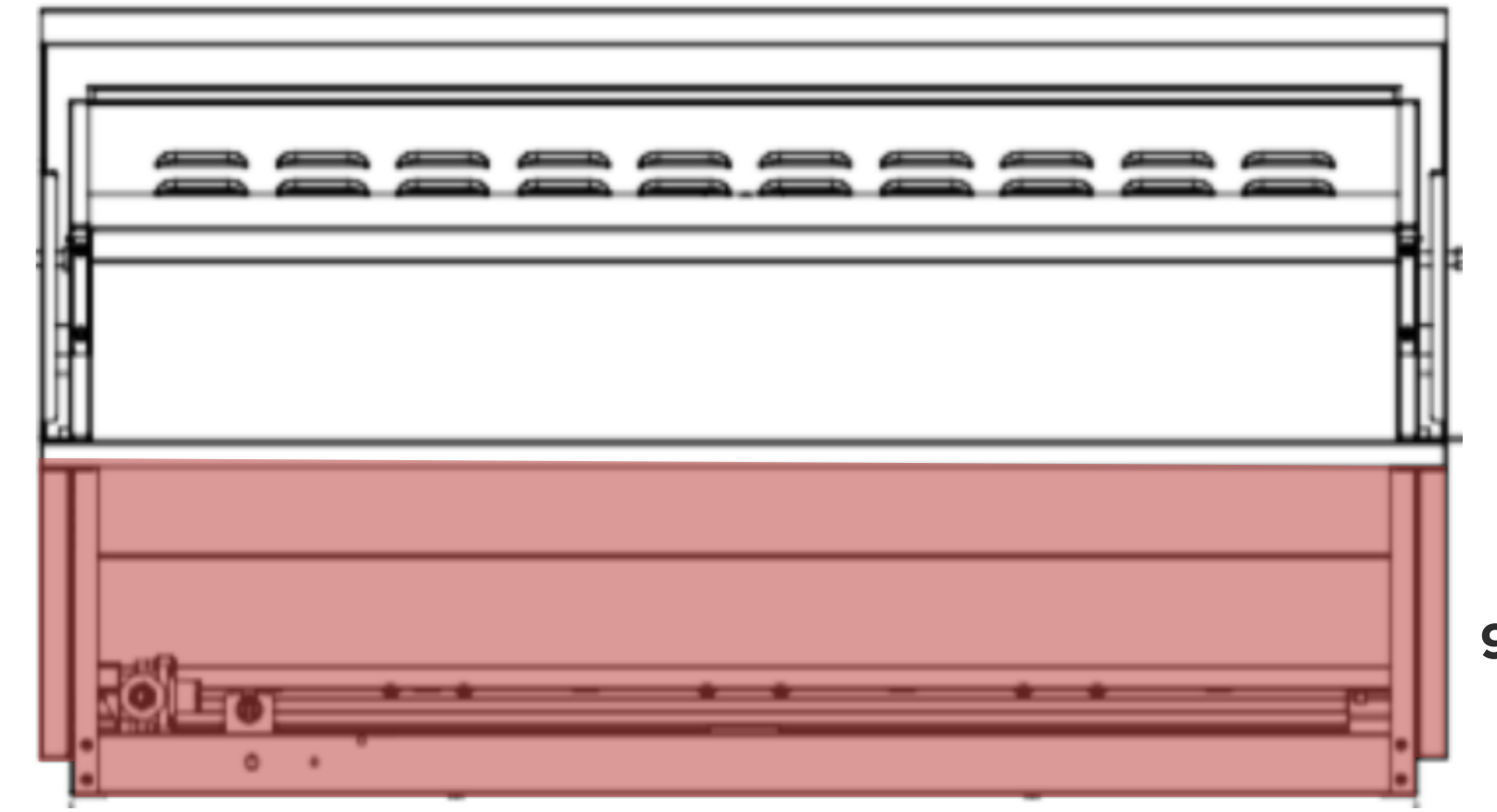
Model	TRL38
Cutout Dimensions**	38.5"W x 10"H x 20.75"D
Actual Dimensions	39.882"W x 22.244"H x 24.685"D
Material	#304 Stainless Steel
Burner Count	4 Main Burner
Total BTU	87,000 BTU
Total Cooking Surface	1,156 sq. in.
Electical Supply	120 VAC, 60 HZ - Input 12 VAC, 5000 mA, 60W - Output
Gas Inlet NG	3/8" NPT Female Regulator
Gas Inlet LP	3/8" NPT Male Fitting
Power Cord Length	13 ft. : 77" Power Cord + 80" Trans Wire

Front



39.882"

Rear

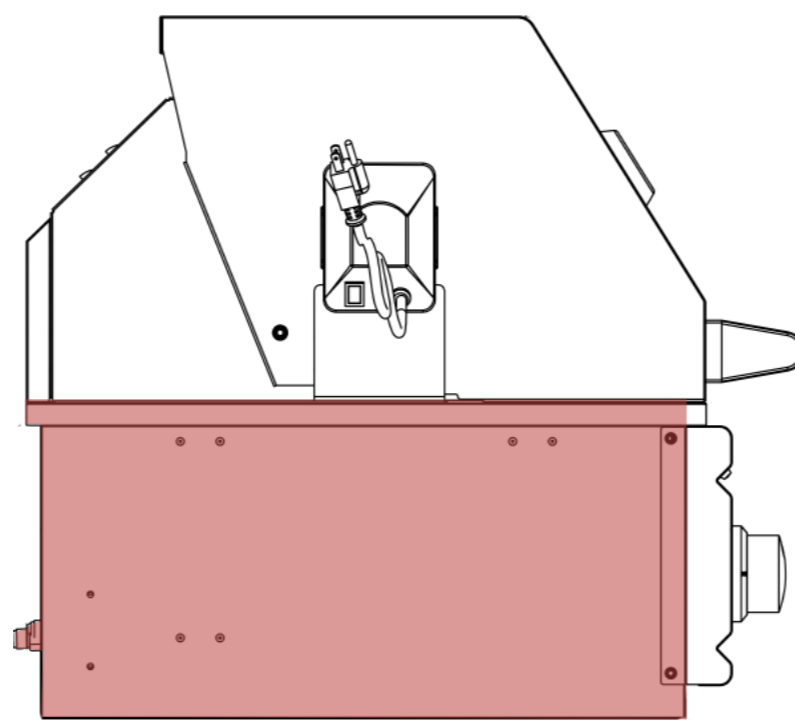


22.2441

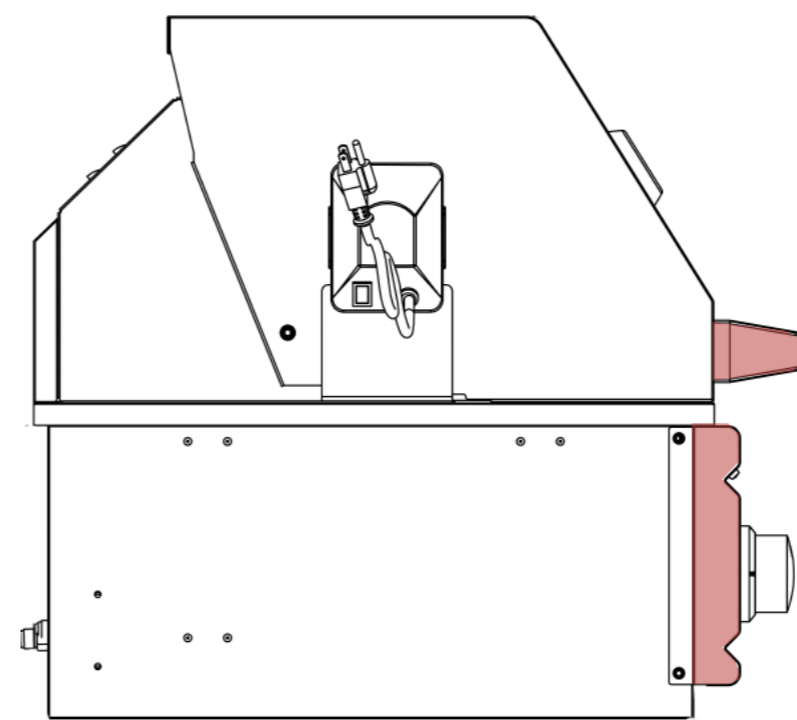
9.25"

38.1496"

Side

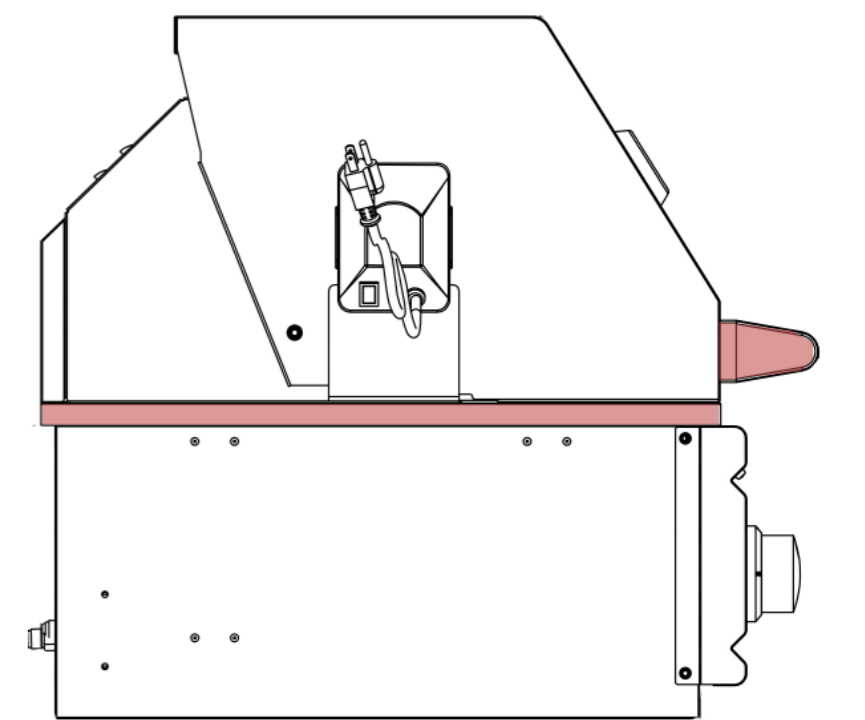


20.452"

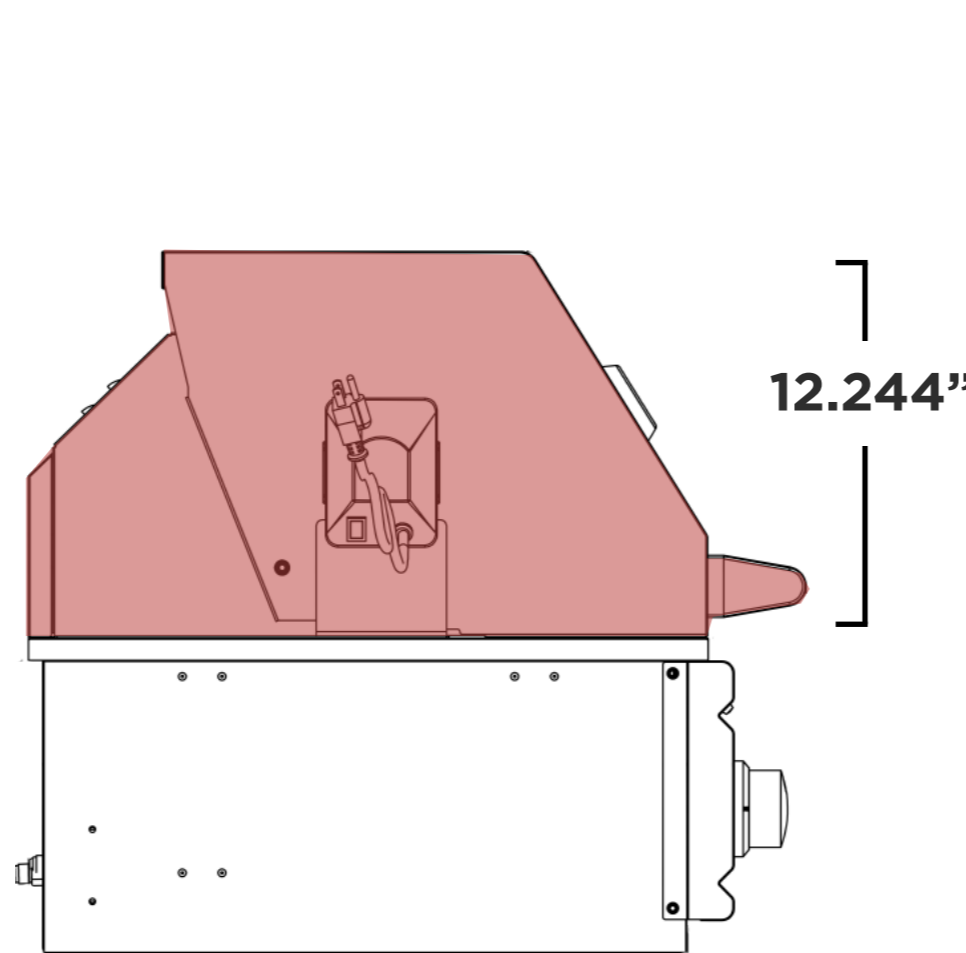


9.291"

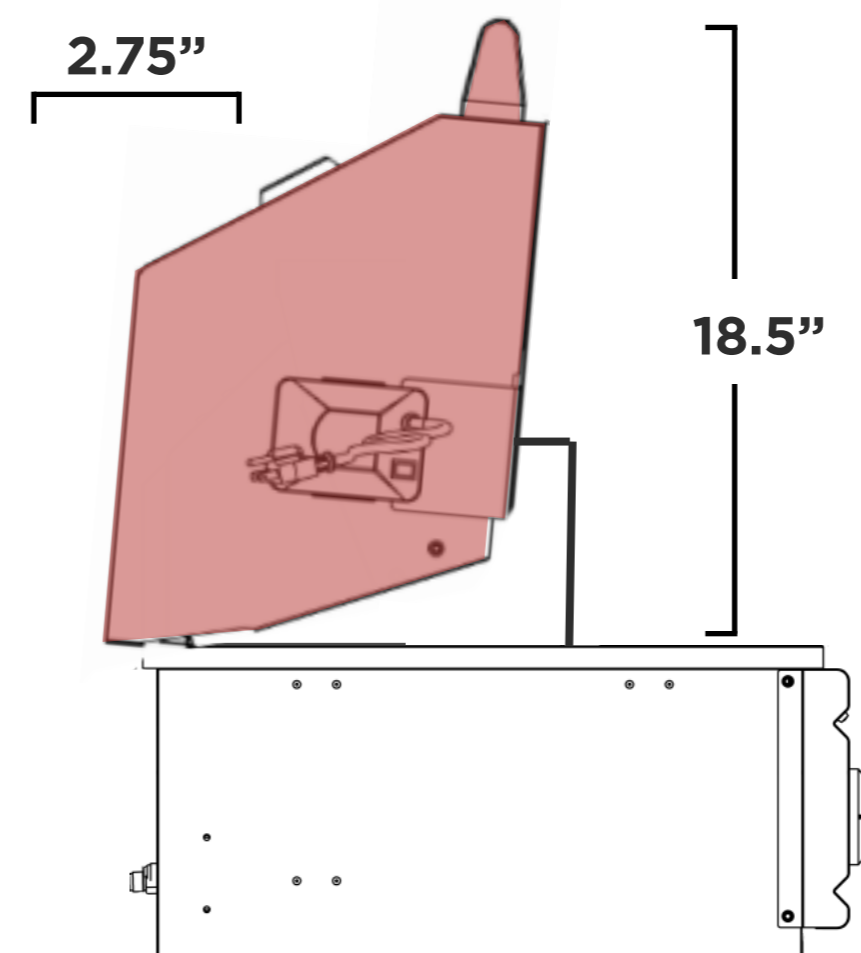
3.78"



24.685"



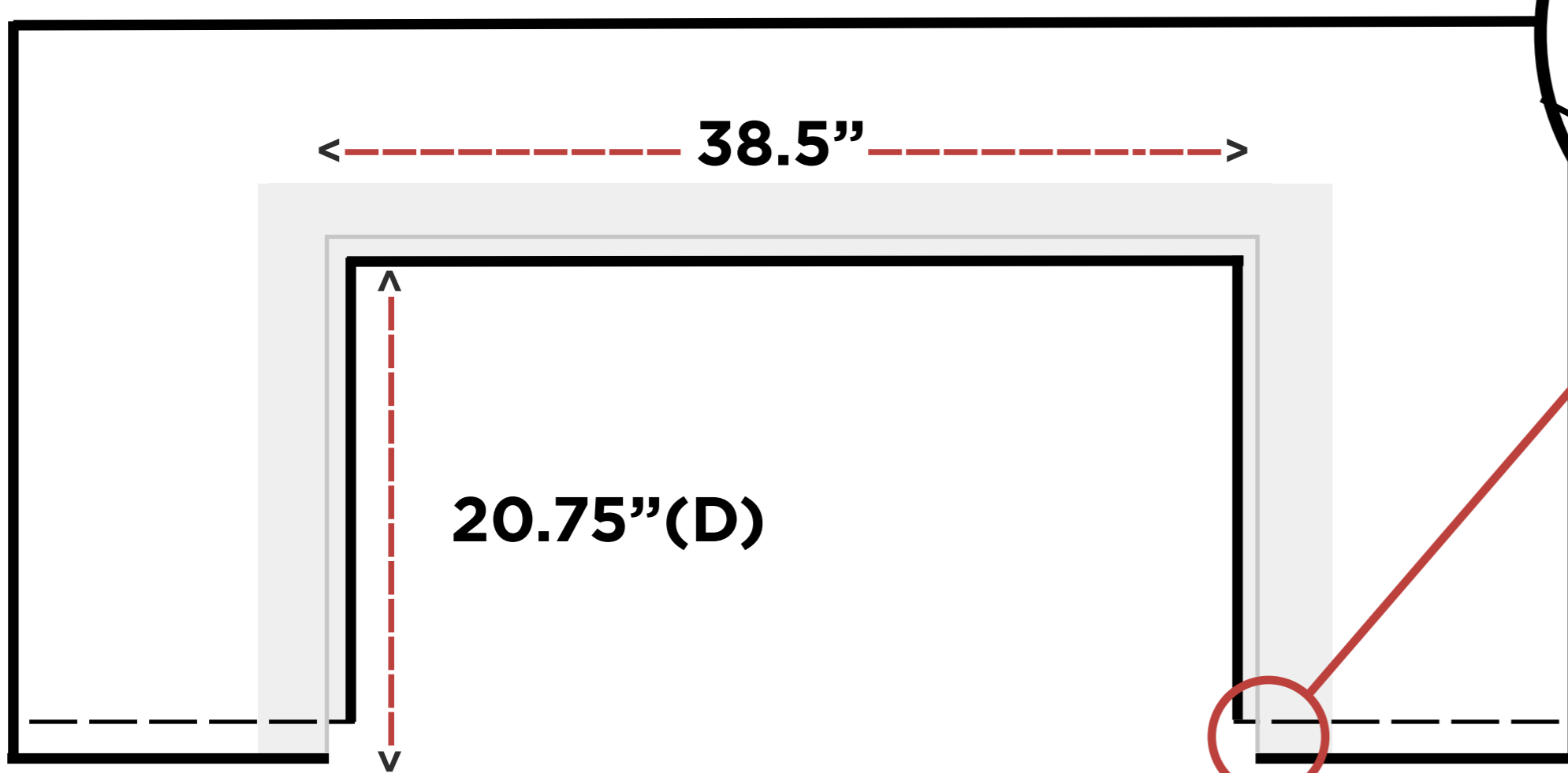
12.244"



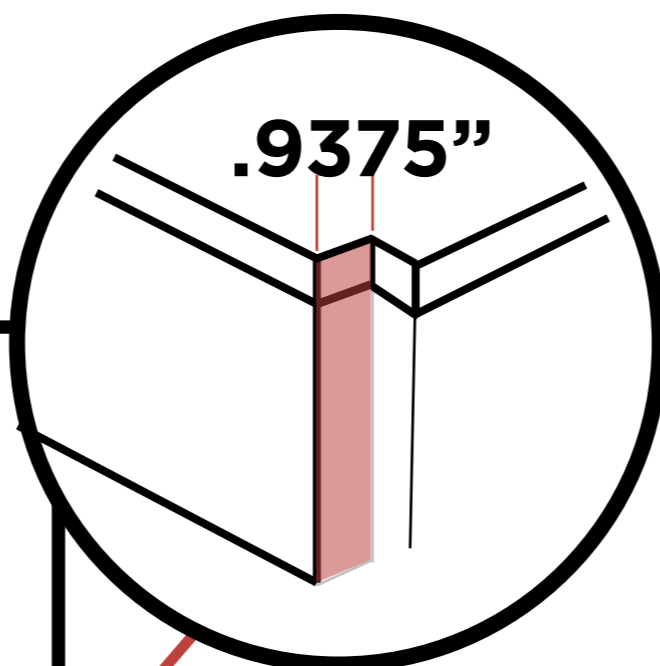
18.5"

2.75"

Island Top View

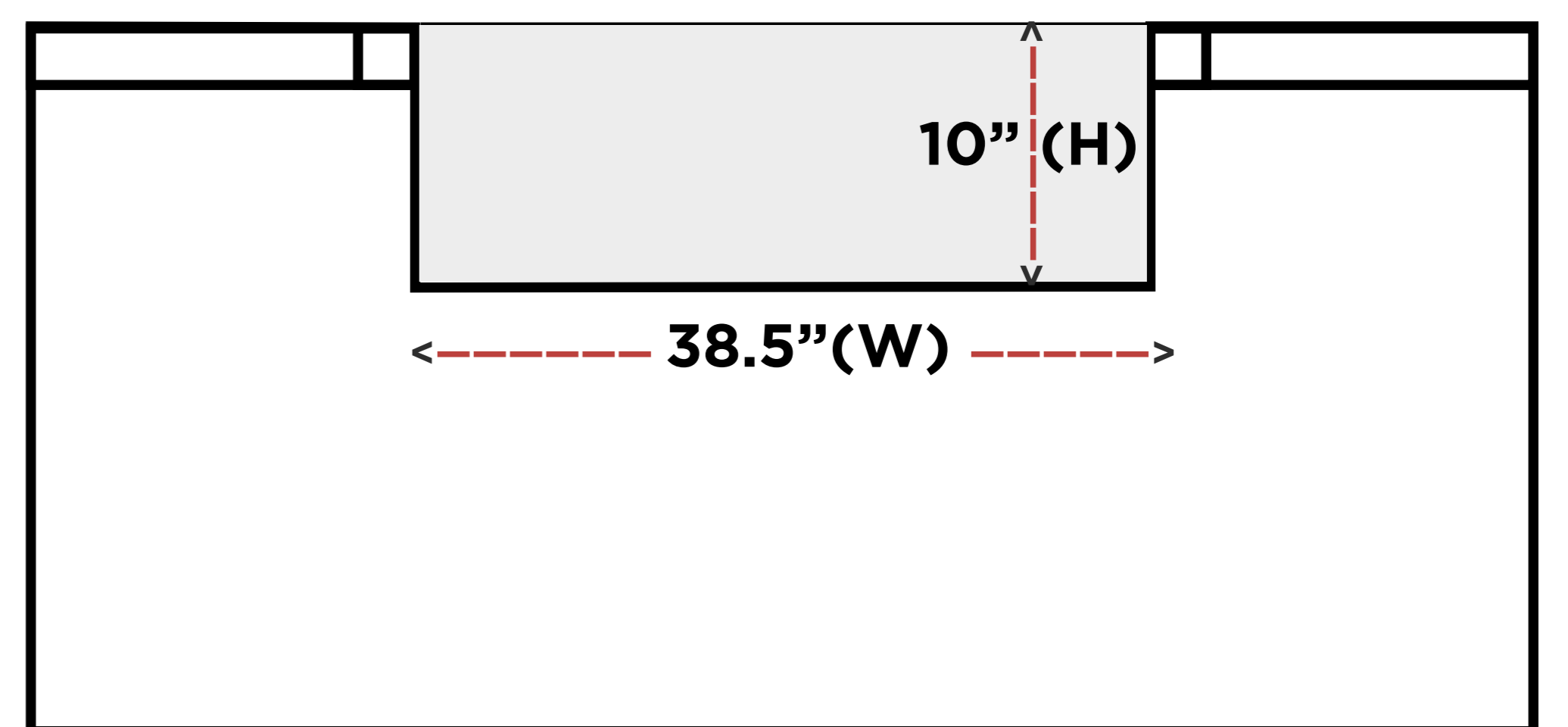


20.75"(D)



Countertop Notch
Cutout Dimension

Island Front View



10" (H)

38.5" (W)

Cutout Dimensions **
38.5"W x 10"H x 20.75"D

Manufacturer Suggested Cutout Dimensions ()**