

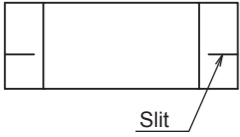




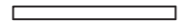






INSULATION KIT FOR HIGH HUMIDITY INSTALLATION MANUAL

UTZ-KXGC

- Before installation, be sure to read this Installation manual and follow its instructions.
- Be sure to read and use together with the Installation manual of main units included with indoor units.
- To guarantee the safety of operation, when attaching the Insulation or installing the Decoration panel or connecting the connector, be sure to cut off the power supply.

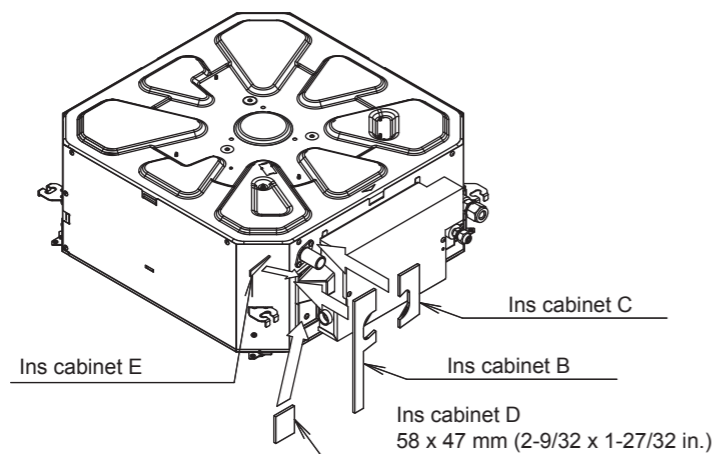
Kit components

The following parts are included in the kit.

Name and Shape	Q'ty	Name and Shape	Q'ty	Name and Shape	Q'ty
Ins cabinet A 	2	Ins cabinet B 	1	Ins cabinet C 	1
Ins cabinet D (58 x 47 mm (2-9/32 x 1-27/32 in.)) 	1	Ins cabinet E 	1	Ins cabinet F (370 x 29 mm (14-9/16 x 1-5/32 in.)) 	1
Ins cabinet G (440 x 38 mm (17-5/16 x 1-1/2 in.)) 	1	Ins cabinet H (440 x 245 mm (17-5/16 x 9-21/32 in.)) 	1	Ins top plate A 	2
Ins top plate B (590 x 200 mm (23-7/32 x 7-7/8 in.)) 	1	Ins panel (497 x 25 mm (19-9/16 x 31/32 in.)) 	4	Ins hook 	4

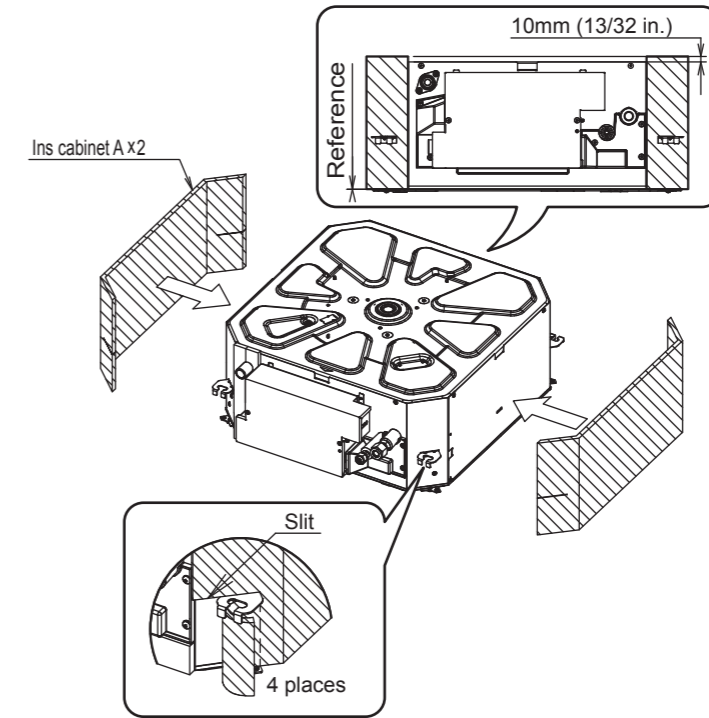
1

Attach the Ins cabinet B,C onto the outside of indoor unit.
Attach the Ins cabinet D,E onto the wire cover.



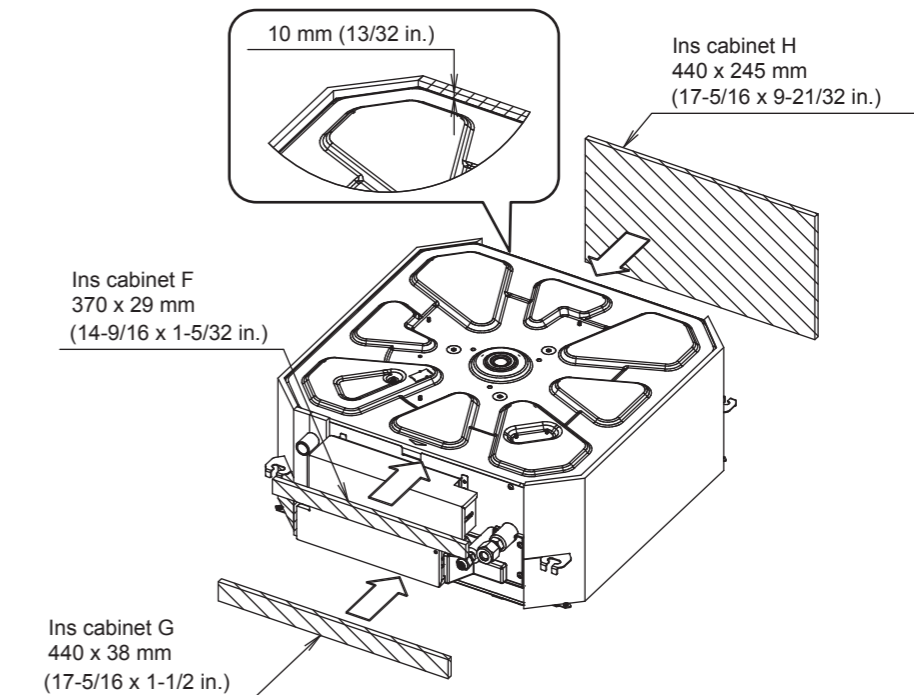
2

Align the slits of Ins cabinet A to the reated hooks, and then attach onto the outside of the indoor unit.
At this time, make sure, that there is no gap among the surrounding heat insulator.



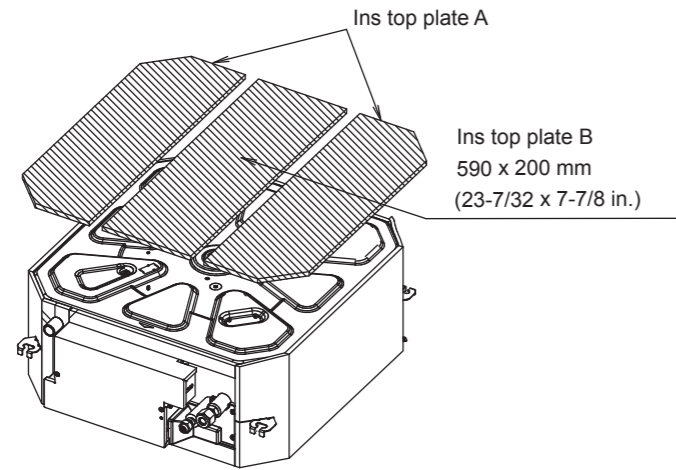
3

Attach the Ins cabinet F,G,H onto the outside of indoor unit.



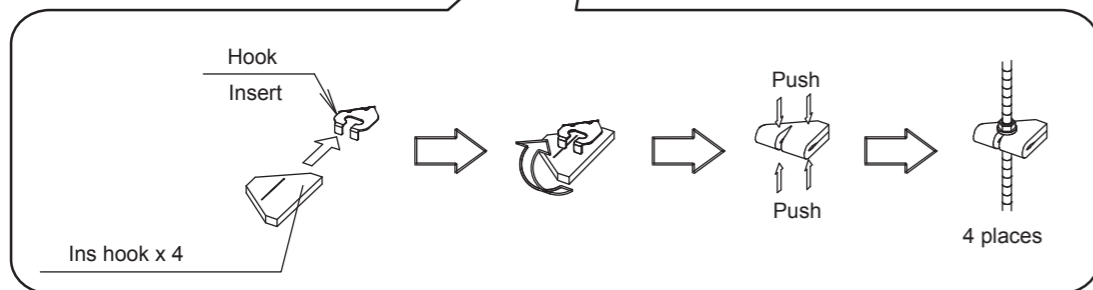
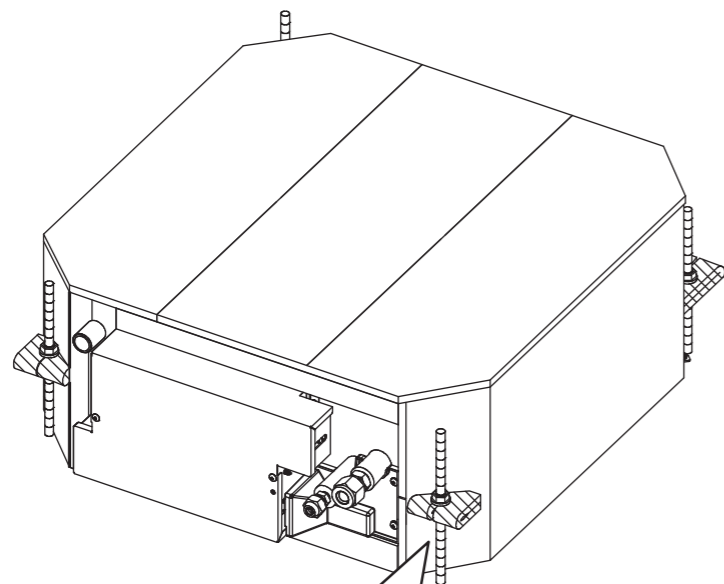
4

Attach the Ins top plate A,B without any gap onto Top plate.



5

After fixing the indoor unit, attach the Ins hook onto hook (4 places).



6

Attach the Ins panel onto the Decoration panel.
At this time, make sure, that there is no gap among the surrounding heat insulator.

