

## SUBMITTAL DATA

3VIR18HP230V1AH & BH<sup>1</sup> / 3VIR18HP230V1BO  
18000 BTU/H Wall Mounted Heat Pump System

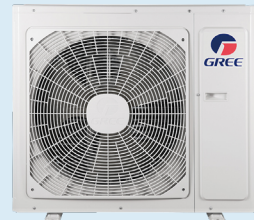
|  |                                      |                              |
|--|--------------------------------------|------------------------------|
| Job Name<br><input type="text"/>         | Location<br><input type="text"/>     | Date<br><input type="text"/> |
| Purchaser<br><input type="text"/>        | Engineer<br><input type="text"/>     |                              |
| Submitted to<br><input type="text"/>     | For<br><input type="text"/>          |                              |
| Unit Designation<br><input type="text"/> | Schedule No.<br><input type="text"/> |                              |



YAP1F7F



3VIR18HP230V1AH & BH<sup>1</sup>



3VIR18VHP230V1BO



XE71 (Optional)

## GENERAL FEATURES

- AHRI Certificate: 210665999 (AH)  
211755707 (BH)
- High Efficiency DC Inverter Technology
- Compact and Quiet Design
- Auto-Clean Function on Indoor Unit
- Wireless Remote with LCD Display
- Wired Controller Options
- Composite Drain Pan
- Wi-Fi Included (Factory Installed)
- Low Ambient Cooling down to -20°F (Range -20°F to 122°F)
- Low Ambient Heating down to -22°F (Range -22°F to 86°F)
- Coil (Indoor and Outdoor) Copper Tube / Aluminum Fin
- Blue Color Fin - 500 Hrs Salt Spray Tested

## SPECIFICATIONS, FEATURES & FUNCTION SUMMARY

### SPECIFICATIONS 3VIR18HP230V1AH & BH<sup>1</sup>/ 3VIR18HP230V1BO

System Type HEAT PUMP

#### SYSTEM PERFORMANCE

|                           |                |       |              |
|---------------------------|----------------|-------|--------------|
| Cooling                   | Min - Max      | Btu/h | 5118 - 21154 |
|                           | Capacity @95°F | Btu/h | 18000        |
| Heating                   | Min - Max      | Btu/h | 5118 - 21154 |
|                           | Capacity @5°F  | Btu/h |              |
|                           | Capacity @17°F | Btu/h | 11000        |
|                           | Capacity @47°F | W     | 18000        |
| SEER2                     |                |       | 23.5         |
| EER2                      |                |       | 13.0         |
| HSPF2                     |                |       | 9.0          |
| COP @5°F                  |                |       |              |
| COP @47°F                 |                |       | 3.8          |
| Cooling Temperature Range |                | °F    | -20 - 122    |
| Heating Temperature Range |                | °F    | -22 - 86     |
| Refrigerant Type          |                |       | R410A        |

#### INDOOR UNIT 3VIR18HP230V1AH & BH<sup>1</sup>

|                                  |       |                           |
|----------------------------------|-------|---------------------------|
| Air flow (Min-Max)               | CFM   | 283 - 618                 |
| Sound Pressure Level (Min - Max) | dB(A) | 29 - 49                   |
| Dehumidification                 | pt/hr | 3.80                      |
| External Dimensions (WxHxD)      | in    | 38-11/16 × 12-1/4 × 8-3/4 |
| Package Dimension (W x H x D)    | in    | 41-1/8 × 15-3/16 × 11-3/4 |
| Net Weight                       | lbs   | 28.7                      |
| Gross Weight                     | lbs   | 35.3                      |

#### OUTDOOR UNIT 3VIR18HP230V1BO

|                               |                                |                       |
|-------------------------------|--------------------------------|-----------------------|
| Compressor Type               | GREE G-10 / 2 - STAGE INVERTER |                       |
| Sound Pressure Level          | dB(A)                          | 59                    |
| External Dimensions (WxHxD)   | in                             | 37-3/4 × 26 × 15-7/8  |
| Package Dimension (W x H x D) | in                             | 40-5/8 × 29-1/16 × 18 |
| Net Weight                    | lbs                            | 98.1                  |
| Gross Weight                  | lbs                            | 106.9                 |

#### REFRIGERANT PIPING

|   |       |           |
|---|-------|-----------|
| Refrigerant Charge - R410A                        | oz    | 54.7      |
| Additional Charge                                 | oz/ft | 0.5       |
| Line Set Size (Liquid - Gas) - Flared Connections | in    | 1/4 - 5/8 |
| Pre-Charge Length                                 | ft    | 25        |
| Pipe Length (Min - Max)                           | ft    | 10 - 82   |
| Max. Pipe Elevation                               | ft    | 33        |

#### ELECTRICAL

|                           |   |                |
|---------------------------|---|----------------|
| Power Supply              | 208-230V / 1Ph / 60Hz (Powered by the Outdoor Unit) |                |
| Voltage Range (Min - Max) | VAC   | 187 - 253      |
| Rated Current - Cooling   | A   | 11.5           |
| Rated Current - Heating   | A   | 11.5           |
| MCA                       | A   | 14             |
| MOCP                      | A   | 20             |
| Suggested Breaker Size    | A   | 15             |
| Main Power Wire Size      | AWG   | Per Local Code |
| Interconnecting Wire Size | AWG   | 14 / 4         |

<sup>1</sup> AH = MATT FINISH; BH = SMOOTH FINISH

### FEATURES & FUNCTIONS SUMMARY

#### SYSTEM FEATURES

|  |                        |
|--|------------------------|
| Inverter Type                                      | G10                    |
| Ultra Low Frequency Torque Control                 | Yes                    |
| Power Factor Correction                            | Yes                    |
| Compressor Type - Inverter                         | High Efficiency Rotary |
| Basepan With Electric Heater                       | Yes                    |
| Indoor & Outdoor Fin Coating (Blue Fin)            | Yes                    |
| Intelligent Defrosting                             | Yes                    |
| Intelligent Preheating                             | Yes                    |
| Low Voltage Startup                                | Yes                    |
| Memory/Power Failure Recovery                      | Yes                    |
| Self Diagnosis                                     | Yes                    |
| Wired Controller Interface (XE71 or XK76 optional) | Yes                    |
| WiFi Included                                      | Yes                    |
| NEW! Easy Service Access                           | Yes                    |
| Indoor Fan Type                                    | Crossflow              |
| Multi Fan Speeds                                   | 7 Speeds               |
| Indoor Unit Display                                | Yes                    |
| Auxiliary Electrical Heater                        | No                     |
| Ventilation (Outdoor Air)                          | No                     |

#### REMOTE CONTROLLER FUNCTIONS

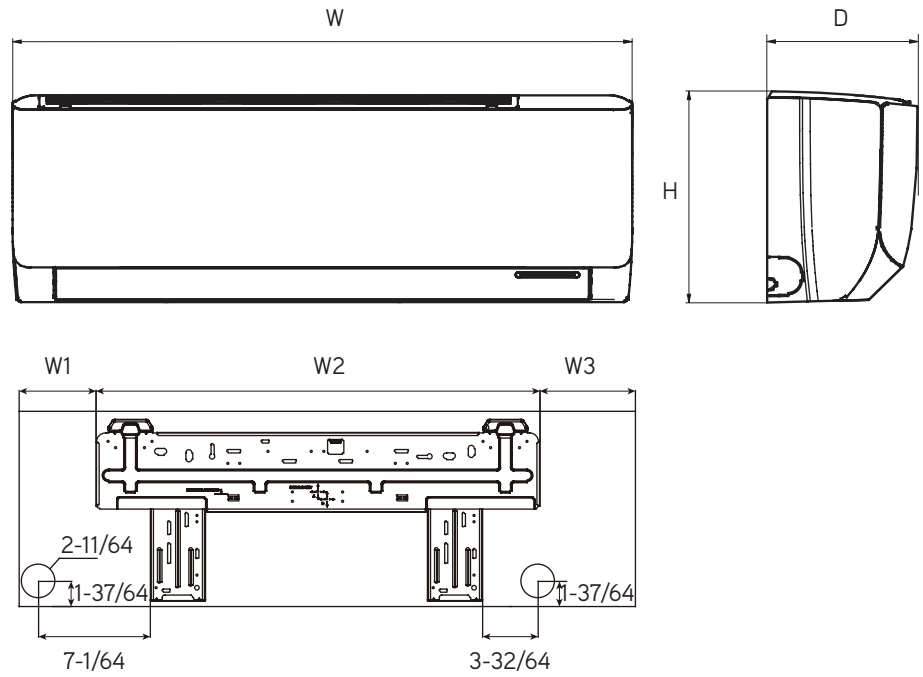
|   |     |
|---|-----|
| NEW! Auto Clean                         | Yes |
| Auto Mode                               | Yes |
| Auto Fan                                | Yes |
| Auto Swing (Horizontal Auto Swing)      | Yes |
| Auto Swing - 180° (Vertical Auto Swing) | Yes |
| Clock                                   | Yes |
| Dry Mode                                | Yes |
| Dry Anti-Mildew (X-Fan) Mode            | Yes |
| Energy Saving Mode                      | Yes |
| Dirty Filter Alert                      | No  |
| Fan Speed Control (7 Speeds)            | Yes |
| I Feel Function                         | Yes |
| Privacy Lock                            | Yes |
| Quiet Mode                              | Yes |
| Room Temperature Display                | No  |
| Sleep Mode                              | Yes |
| 3 Sleep Mode Options                    | Yes |
| Timer Mode                              | Yes |
| Turbo Mode                              | Yes |
| Display On/Off Control                  | Yes |
| Freeze Guard Mode                       | Yes |
| Power Failure Mode                      | Yes |

## DIMENSIONS

### INDOOR UNIT

Unit: inch

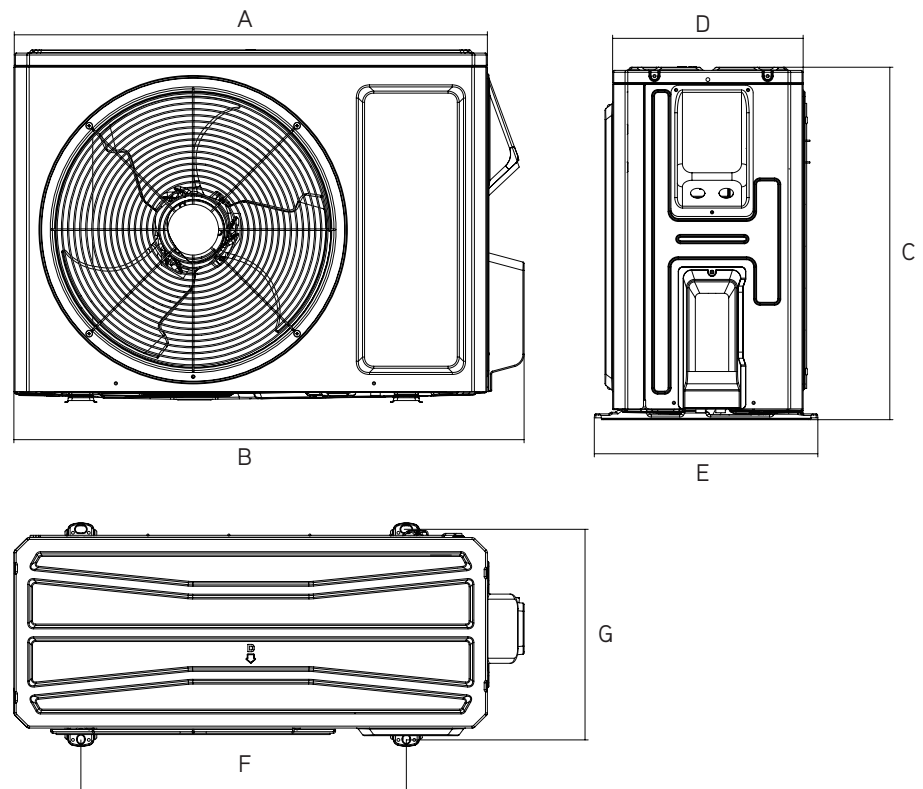
| 3VIR18HP230V1AH & BH |          |
|----------------------|----------|
| DIMENSIONS           |          |
| W                    | 38-21/32 |
| H                    | 12-1/4   |
| D                    | 8-45/64  |
| W1                   | 4-53/64  |
| W2                   | 27-55/64 |
| W3                   | 5-63/64  |



### OUTDOOR UNIT

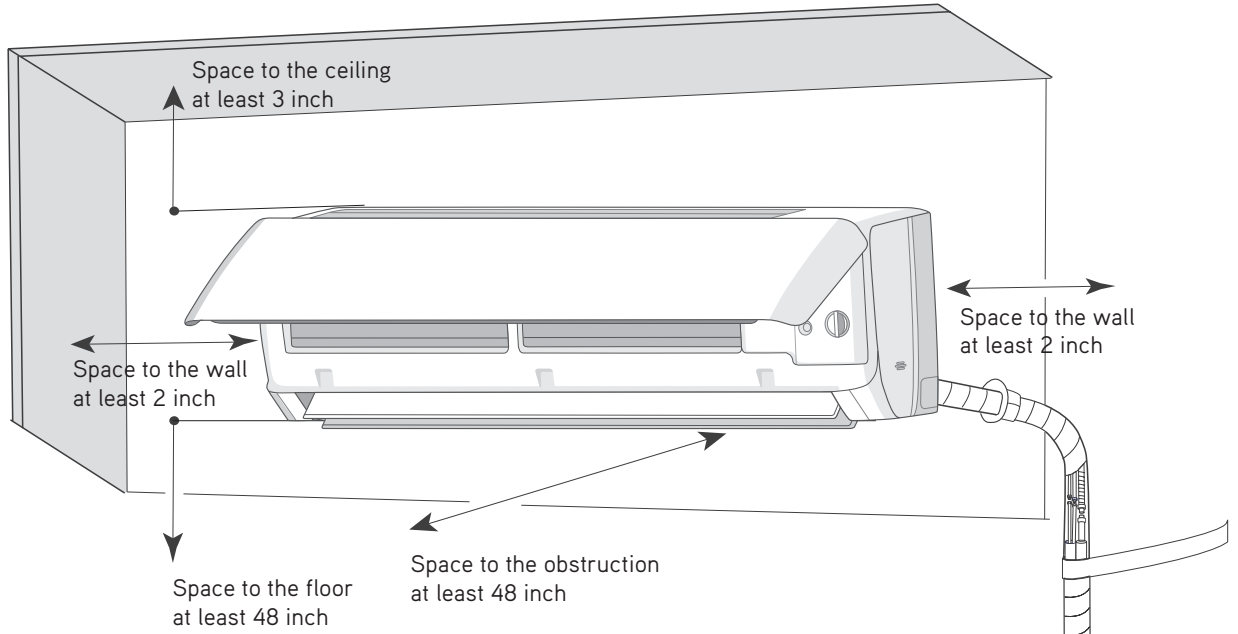
Unit: inch

| 3VIR18HP230V1BO |          |
|-----------------|----------|
| DIMENSIONS      |          |
| A               | 35       |
| B               | 37-23/32 |
| C               | 25-63/64 |
| D               | 13-25/64 |
| E               | 15-53/64 |
| F               | 22-7/16  |
| G               | 14-39/64 |

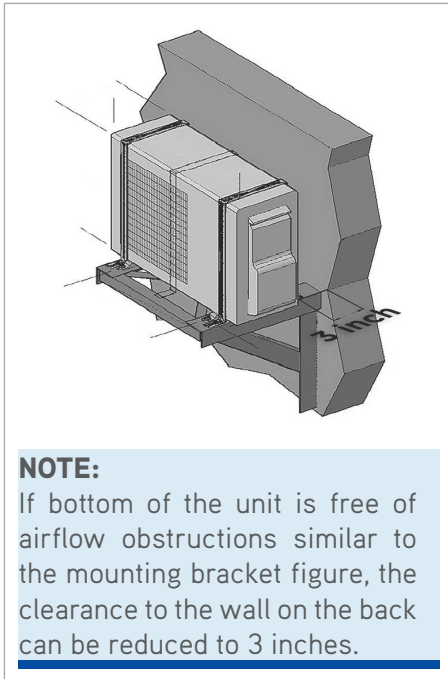


# CLEARANCES

## INDOOR UNIT Minimum clearance

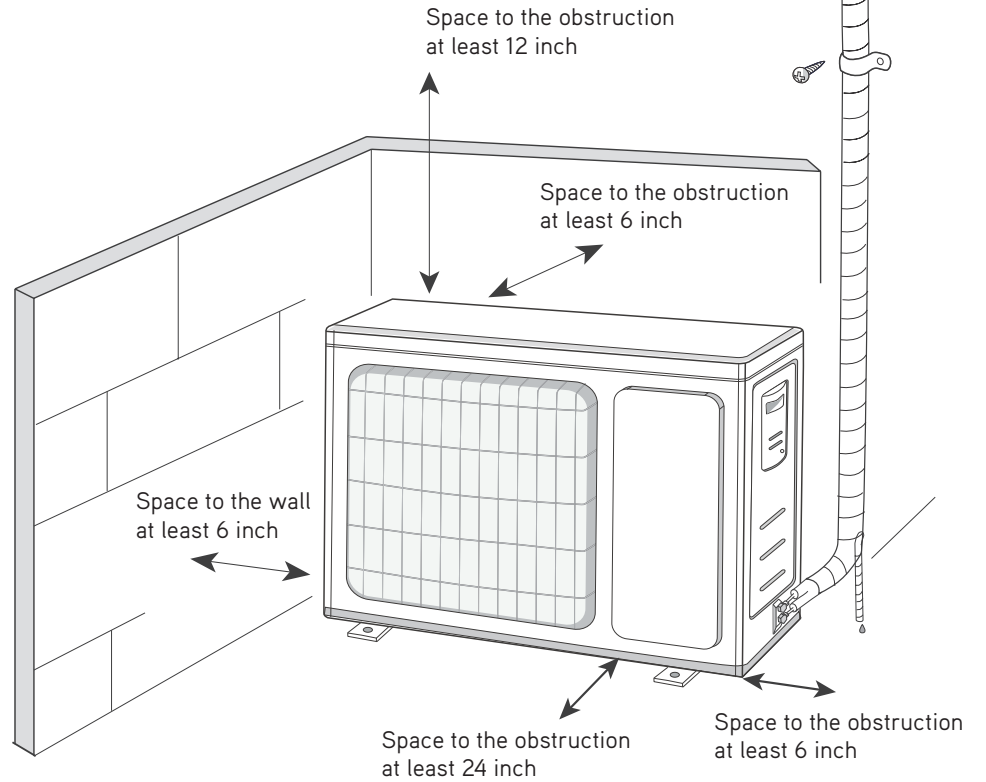


## OUTDOOR UNIT Minimum clearance



**NOTE:**

If bottom of the unit is free of airflow obstructions similar to the mounting bracket figure, the clearance to the wall on the back can be reduced to 3 inches.



Specifications are subject to change without notice. Manufacturer reserves the right to discontinue or modify specifications or designs without notice or without incurring obligations. All Rights reserved.