

## SUBMITTAL DATA

3VIR24HP230V1AH & BH<sup>1</sup> / 3VIR24HP230V1BO  
24000 BTU/H Wall Mounted Heat Pump System

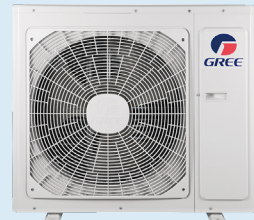
Job Name <input type="text"/>	Location <input type="text"/>	Date <input type="text"/>
Purchaser <input type="text"/>	Engineer <input type="text"/>	
Submitted to <input type="text"/>	For <input type="text"/>	
Unit Designation <input type="text"/>	Schedule No. <input type="text"/>	



YAP1F7F



3VIR24HP230V1AH & BH<sup>1</sup>



3VIR24VHP230V1BO



XE71 (Optional)

## GENERAL FEATURES

- AHRI Certificate: [210278968 \(AH\)](#)  
[211755708 \(BH\)](#)
- High Efficiency DC Inverter Technology
- Compact and Quiet Design
- Auto-Clean Function on Indoor Unit
- Wireless Remote with LCD Display
- Wired Controller Options
- Composite Drain Pan
- Wi-Fi Included (Factory Installed)
- Low Ambient Cooling down to -20°F (Range -20°F to 122°F)
- Low Ambient Heating down to -22°F (Range -22°F to 86°F)
- Coil (Indoor and Outdoor) Copper Tube / Aluminum Fin
- Blue Colored Fin - 500 Hrs Salt Spray Tested

## SPECIFICATIONS, FEATURES & FUNCTION SUMMARY

### SPECIFICATIONS 3VIR24HP230V1AH & BH<sup>1</sup> / 3VIR24HP230V1BO

System Type HEAT PUMP

#### SYSTEM PERFORMANCE

Cooling	Min - Max	Btu/h	8870 - 28000
	Capacity @95°F	Btu/h	22000
Heating	Min - Max	Btu/h	7200 - 30708
	Capacity @5°F	Btu/h	
	Capacity @17°F	Btu/h	15000
	Capacity @47°F	W	24000
SEER2			24.5
EER2			13.1
HSPF2			9.5
COP @5°F			
COP @47°F			3.8
Cooling Temperature Range		°F	-20 - 122
Heating Temperature Range		°F	-22 - 86
Refrigerant Type			R410A

#### INDOOR UNIT 3VIR24HP230V1AH & BH<sup>1</sup>

Air flow (Min-Max)	CFM	412 - 677
Sound Pressure Level (Min - Max)	dB(A)	34 - 52
Dehumidification	pt/hr	5.07
External Dimensions (WxHxD)	in	42-3/8 x 13-1/8 x 9-11/16
Package Dimension (W x H x D)	in	44-5/8 x 16-5/16 x 13-1/8
Net Weight	lbs	35.3
Gross Weight	lbs	41.9

#### OUTDOOR UNIT 3VIR24HP230V1BO

Compressor Type	GREE G-10 / 2 - STAGE INVERTER	
Sound Pressure Level	dB(A)	62
External Dimensions (WxHxD)	in	39-3/8 x 29-3/8 x 16-13/16
Package Dimension (W x H x D)	in	42-9/16 x 31-15/16 x 19-1/16
Net Weight	lbs	125.7
Gross Weight	lbs	136.7

#### REFRIGERANT PIPING

Refrigerant Charge - R410A	oz	60
Additional Charge	oz/ft	0.5
Line Set Size (Liquid - Gas) - Flared Connections	in	1/4 - 5/8
Pre-Charge Length	ft	25
Pipe Length (Min - Max)	ft	10 - 131
Max. Pipe Elevation	ft	82

#### ELECTRICAL

Power Supply	208-230V / 1Ph / 60Hz (Powered by the Outdoor Unit)	
Voltage Range (Min - Max)	VAC	187 - 253
Rated Current - Cooling	A	15.3
Rated Current - Heating	A	13.5
MCA	A	16
MOCP	A	25
Suggested Breaker Size	A	20
Main Power Wire Size	AWG	Per Local Code
Interconnecting Wire Size	AWG	14 / 4

<sup>1</sup> AH = MATT FINISH; BH = SMOOTH FINISH

### FEATURES & FUNCTIONS SUMMARY

#### SYSTEM FEATURES

Inverter Type	G10
Ultra Low Frequency Torque Control	Yes
Power Factor Correction	Yes
Compressor Type - Inverter	High Efficiency Rotary
Basepan With Electric Heater	Yes
Indoor & Outdoor Fin Coating (Blue Fin)	Yes
Intelligent Defrosting	Yes
Intelligent Preheating	Yes
Low Voltage Startup	Yes
Memory/Power Failure Recovery	Yes
Self Diagnosis	Yes
Wired Controller Interface (XE71 or XK76 optional)	Yes
WiFi Included	Yes
NEW! Easy Service Access	Yes
Indoor Fan Type	Crossflow
Multi Fan Speeds	7 Speeds
Indoor Unit Display	Yes
Auxiliary Electrical Heater	No
Ventilation (Outdoor Air)	No

#### REMOTE CONTROLLER FUNCTIONS

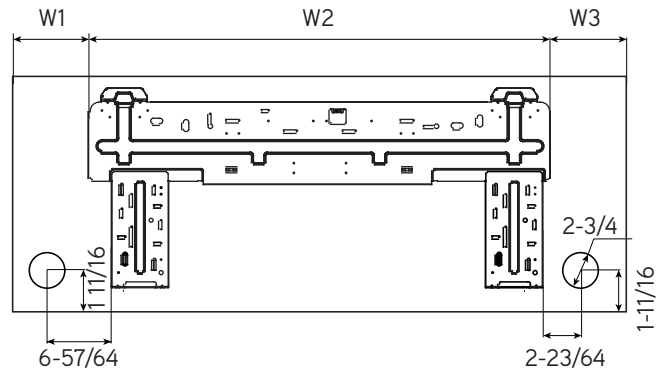
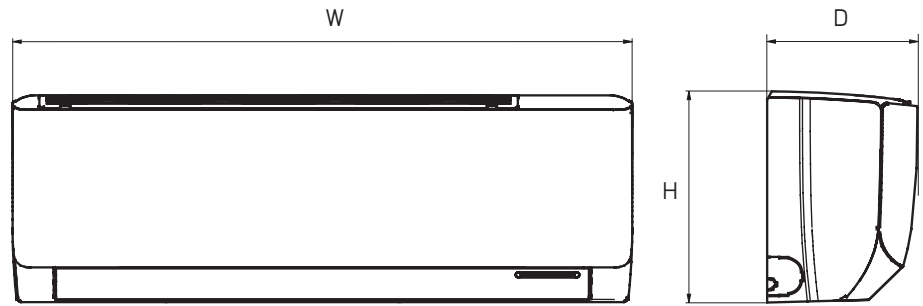
NEW! Auto Clean	Yes
Auto Mode	Yes
Auto Fan	Yes
Auto Swing (Horizontal Auto Swing)	Yes
Auto Swing - 180° (Vertical Auto Swing)	Yes
Clock	Yes
Dry Mode	Yes
Dry Anti-Mildew (X-Fan) Mode	Yes
Energy Saving Mode	Yes
Dirty Filter Alert	No
Fan Speed Control (7 Speeds)	Yes
I Feel Function	Yes
Privacy Lock	Yes
Quiet Mode	Yes
Room Temperature Display	No
Sleep Mode	Yes
3 Sleep Mode Options	Yes
Timer Mode	Yes
Turbo Mode	Yes
Display On/Off Control	Yes
Freeze Guard Mode	Yes
Power Failure Mode	Yes

## DIMENSIONS

### INDOOR UNIT

Unit: inch

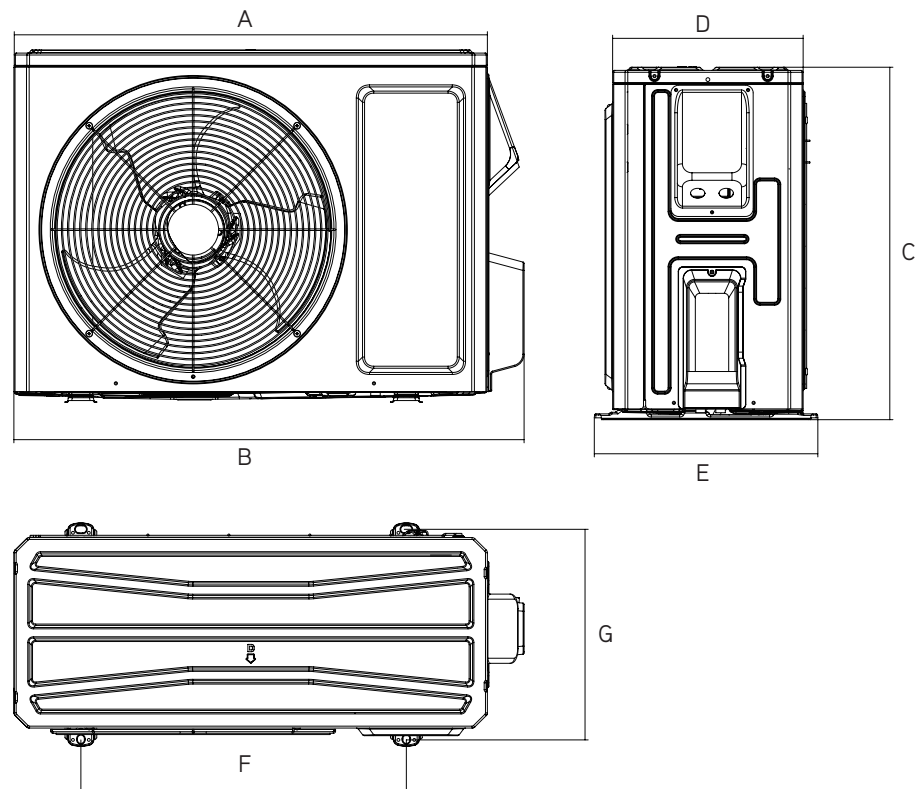
3VIR24HP230V1AH & BH	
DIMENSIONS	
W	42-21/64
H	13-7/64
D	9-11/16
W1	7-7/32
W2	27-55/64
W3	7-1/4



### OUTDOOR UNIT

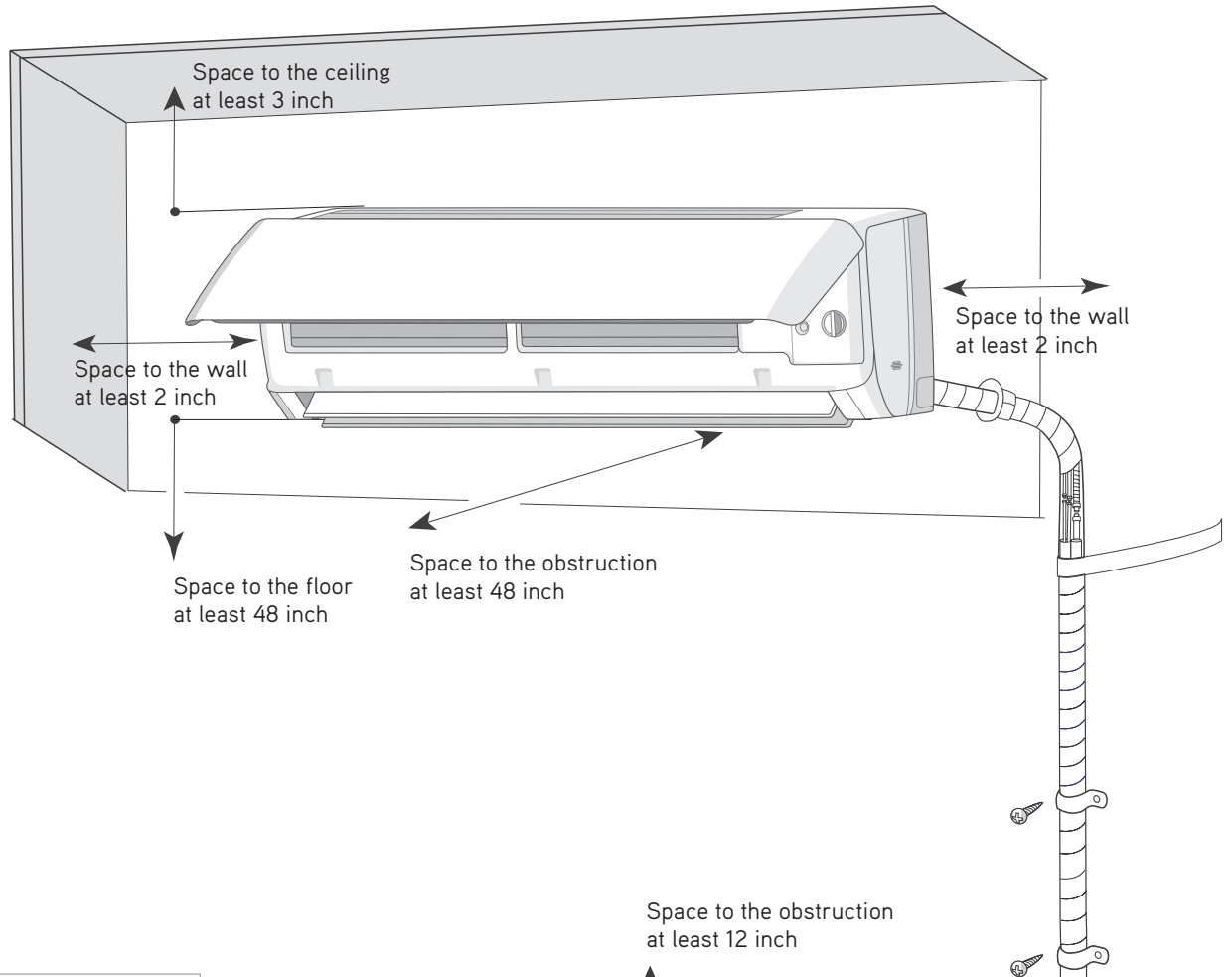
Unit: inch

3VIR24HP230V1BO	
DIMENSIONS	
A	36-11/32
B	39-3/8
C	29-3/8
D	14-17/32
E	16-13/16
F	24-1/64
G	15-35/64

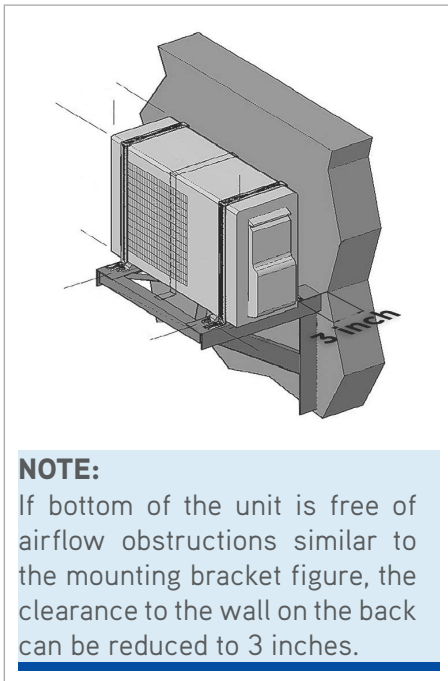


# CLEARANCES

## INDOOR UNIT Minimum clearance

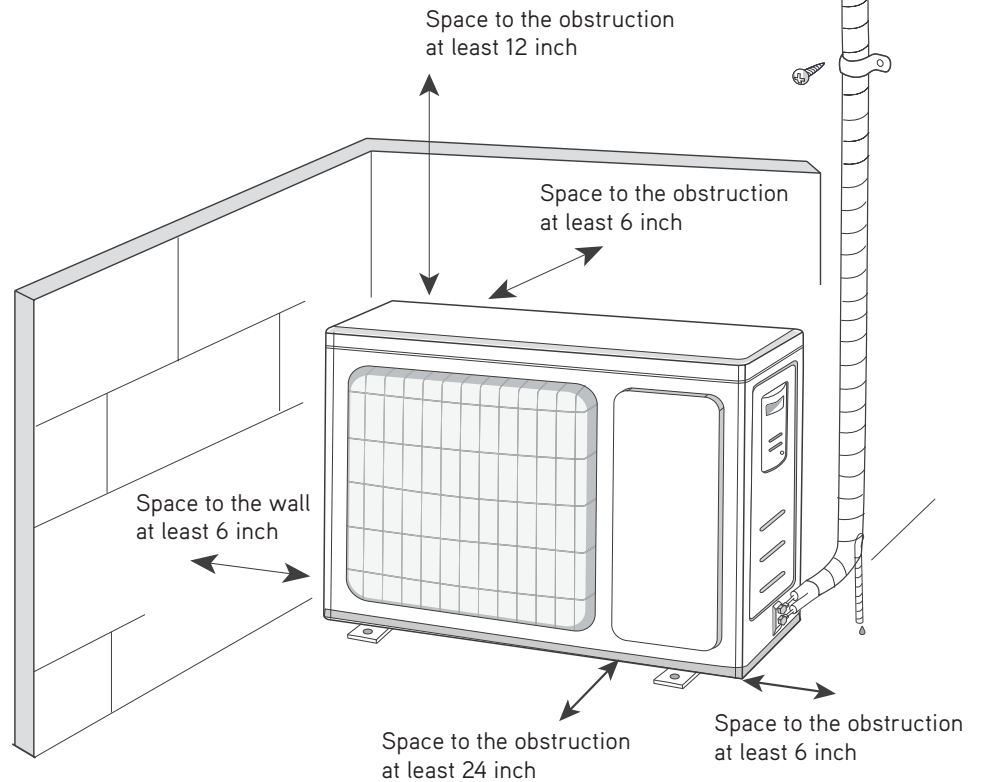


## OUTDOOR UNIT Minimum clearance



**NOTE:**

If bottom of the unit is free of airflow obstructions similar to the mounting bracket figure, the clearance to the wall on the back can be reduced to 3 inches.



Specifications are subject to change without notice. Manufacturer reserves the right to discontinue or modify specifications or designs without notice or without incurring obligations. All Rights reserved.