



Submittal Data Sheet

Indoor Unit Model#: ACiQ-36-ACL-B
Outdoor Unit Model#: ACiQ-30-AC-B

36K EVAPORATOR A-COIL & 30K AC-COOLING ONLY CONDENSER

Location:	Approval:
Engineer:	Date:
Submitted to:	Construction:
Submitted by:	Unit #:
Reference:	Drawing #:

System Product Code: 810175553689
A-Coil Product Code: 810175552651
Outdoor Unit Product Code: 810175553580



EFFICIENCY RATINGS

Cooling	
SEER2	15.2
EER2	10.2

COOLING PERFORMANCE

Cooling (Btu/hr)	
Rated Capacity	29,000
Min/Max Capacity	8,200 ~ 31,000
Moisture Removing (L/h)	3.51
Standard Operating Range (°F/°C)	-13 ~ 122 (-25 ~ 50)
Rated Cooling Conditions:	Indoor: 80°F DB/67°F WB Outdoor: 95°F DB/75°F WB

EVAPORATOR A-COIL SPECIFICATIONS

Dimension (W×D×H)	inch	21.02 x 21.00 x 24.06
	mm	534 x 533.4 x 611
Package (W×D×H)	inch	24.02 x 26.18 x 26.97
	mm	610 x 665 x 685
Net/Gross Weight	lbs	29 / 34
	kg	29.2 / 33.6

OUTDOOR UNIT SPECIFICATIONS

Compressor Type	ROTARY	
Compressor Model	KTM240D46UKT2	
Refrigerant	R454B	
Refrigerant Oil Charge (mL)	620	
Refrigerant Oil	VG74	
Outdoor Air Flow (Max) (CFM)	1,825	
Outdoor Noise Level (dBA)	58	
Dimension (W×D×H)	inch	35.04 x 13.46 x 26.50
	mm	890 x 342 x 673
Package (W×D×H)	inch	39.17 x 13.46 x 29.13
	mm	995 x 342 x 740
Net/Gross Weight	lbs	98.33 / 105.60
	kg	44.6 / 47.9

ELECTRICAL SPECIFICATIONS

Indoor Power Supply	24V, 60Hz, 1Ph	
Outdoor Power Supply	208/230V, 60Hz, 1Ph	
Outdoor MCA	20	
Outdoor MOP	20	
Communication Wiring	AWG 20-2	
Compressor RLA	15	
Outdoor Fan Motor RLA	1	
System Power Input @ Cooling (W)	2,843 (630 ~ 2,930)	
MCA: Min. circuit amps (A)	MOCP: Max. overcurrent protection (A)	
RLA: Rated load amps (A)	W: Fan motor rated output (W)	

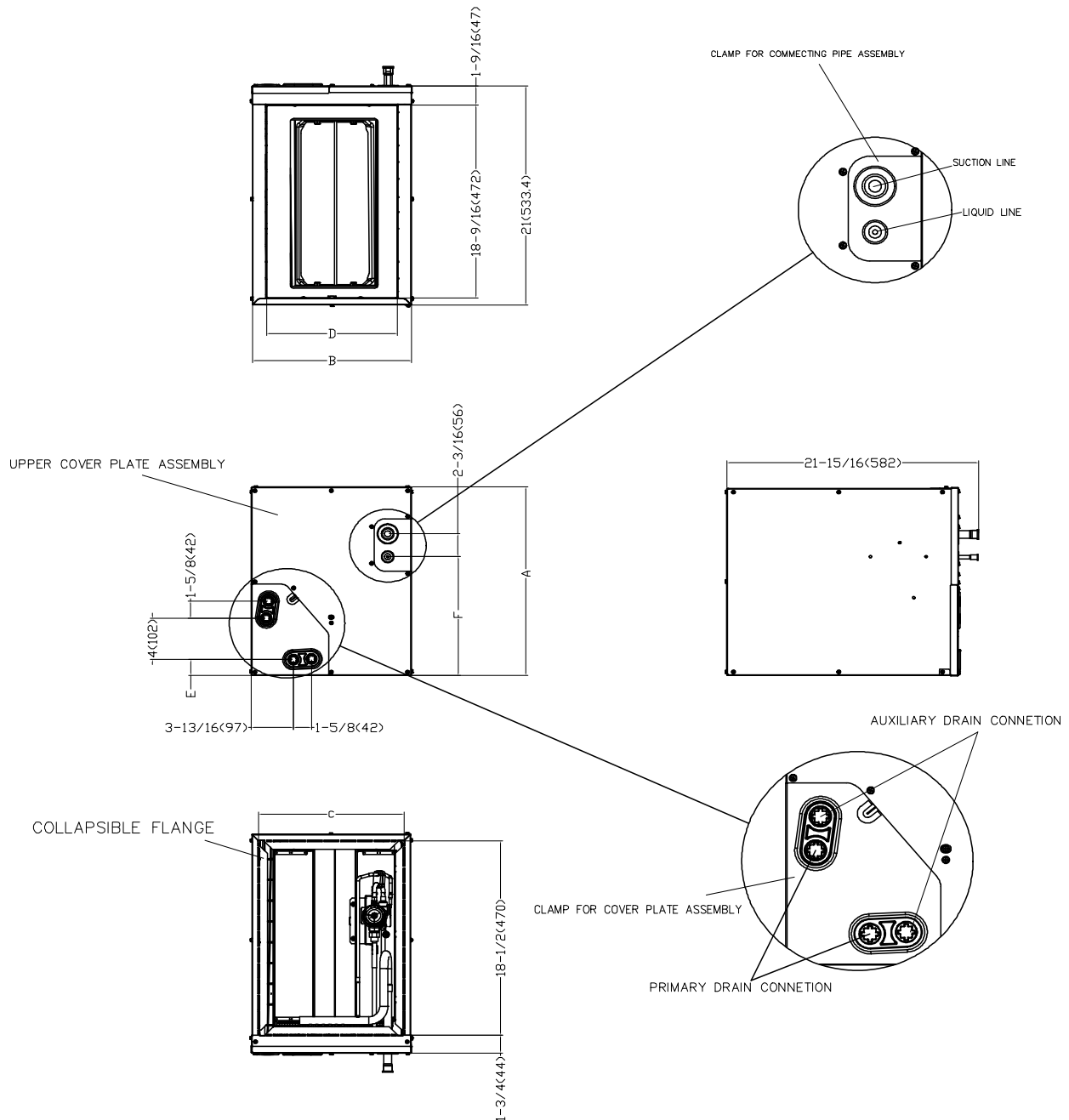
REFRIGERANT PIPING SPECIFICATIONS

Throttle type (Indoor)	TXV
Liquid Size	9.52mm (3/8in)
Gas Size	19mm (3/4in)
Max. Piping Length (ft/m)	164 (50)
Max. Height Difference (ft/m)	98 (30)
Max. Pre-charged Length (ft/m)	24.6 (7.5)
Refrigerant Pre-charged Amount (oz/kg)	81.13 (2.30)
Additional Charge of Refrigerant ((oz/ft)/(g/m))	0.7 (65)
Connection Method	Flared

FEATURES

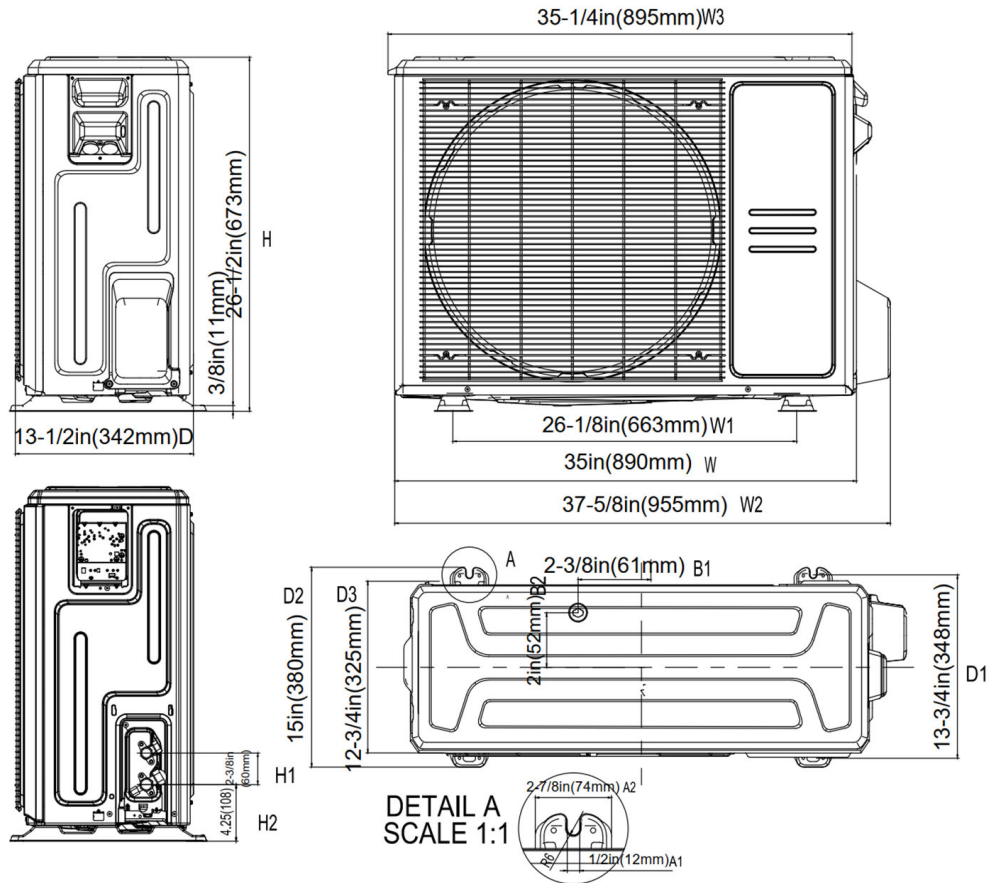
- Multi-position installation: horizontal (left or right), vertical (up or down)
- Aluminum Coil
- R454B refrigerant sensor
- Easy Maintenance
- Multiple control options available:
 - Two way communication wired controller with built-in WiFi:120N(X6W)
 - Third-Party 24V Thermostat

INDOOR UNIT DIMENSIONS

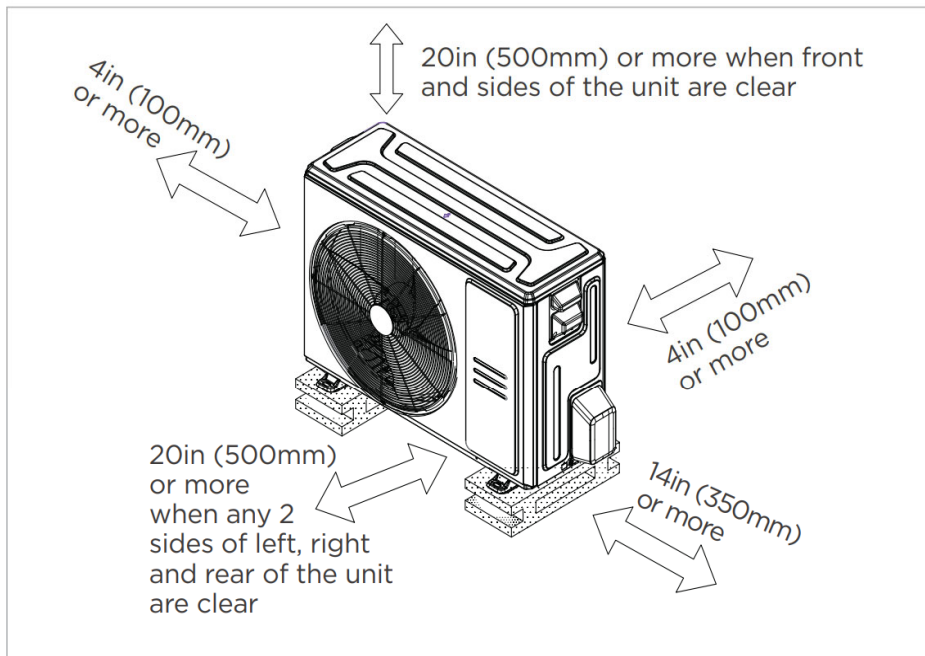


Model		ACiQ-24-ACL-B	ACiQ-24-ACL-14-B	ACiQ-36-ACL-B	ACiQ-36-ACL-17-B	ACiQ-48-ACL-B	ACiQ-60-ACL-B
		inch (millimeter)	inch (millimeter)	inch (millimeter)	inch (millimeter)	inch (millimeter)	inch (millimeter)
A	Unit Height	18 (457)	18 (457)	24 (611)	23-9/16 (599)	27-3/4 (706)	28 (711)
B	Unit Width	17-1/2 (445)	14-1/2 (368)	21 (534)	17-1/2 (445)	21-5/8 (549)	24-1/2 (622)
C	Supply Air Opening Width	16-3/16 (411)	13-1/4 (336)	19-3/4 (502)	16-3/16 (411)	21-1/4 (514)	23-1/4 (591)
D	Return Air Opening Width	14-15/16 (380)	11-15/16 (303)	19-1/2 (498)	14-15/16 (380)	20 (509)	23-1/8 (587)
E	Condensate Drain Height	1-7/16 (38)	1-7/16 (38)	2-3/16 (55)	1-7/16 (38)	2-1/8 (50)	2-3/16 (55)
F	Liquid Line Height	11-3/8 (290)	11-3/8 (290)	17-1/2 (445)	16-3/8 (417)	17-5/8 (449)	21-7/16 (545)

OUTDOOR UNIT DIMENSIONS



INSTALLATION INSTRUCTIONS FOR OUTDOOR UNIT



Meets all spatial requirements shown in Installation Clearance Requirements above.