



Submittal Data Sheet

Indoor Unit Model#: ACiQ-12CD-HH-MC
Outdoor Unit Model#: ACiQ-12ZS-HP230C

12K R454B Concealed Duct (High Static Pressure) & 12K Std. Heat Single-Zone Condenser

Location:	Approval:
Engineer:	Date:
Submitted to:	Construction:
Submitted by:	Unit #:
Reference:	Drawing #:



Indoor Air Flow (Turbo/Hi/Med/L/Si) (CFM)	419.1 / 350.2 / 256.0 / 216.0 / 135.4	
Indoor Noise Level (Turbo/Hi/Med/L/Si) (dBA)	NA / 33.5 / 32.5 / 31 / 29	
Indoor static pressure range (in.w.g.)	0 - 0.8	
Dimension (WxDxH)	inch	27.56 x 29.53 x 9.65
	mm	700.0 x 750.0 x 245.0
Package (WxDxH)	inch	36.42 x 33.46 x 11.73
	mm	925 x 850 x 298
Net/Gross Weight	lbs	64.15 / 73.85
	kg	29.1 / 33.5

Compressor Type	ROTARY	
Compressor Model	KSK103D33UEZ3	
Refrigerant Type	R454B	
Refrigerant Oil Charge (mL)	310	
Refrigerant Oil	2.40 / 5.65	
Outdoor Air Flow (Max) (CFM)	1236.1	
Outdoor Noise Level (dBA)	55.5	
Dimension (WxDxH)	inch	30.12 x 11.93 x 21.85
	mm	765.0 x 303.0 x 555.0
Package (WxDxH)	inch	34.92 x 13.27 x 24.02
	mm	887 x 337 x 610
Net/Gross Weight	lbs	62.17 / 67.68
	kg	28.2 / 30.7

Cooling		Heating	
SEER2	19.5	HSPF2-4	10.5
EER2	12.0	COP	3.78

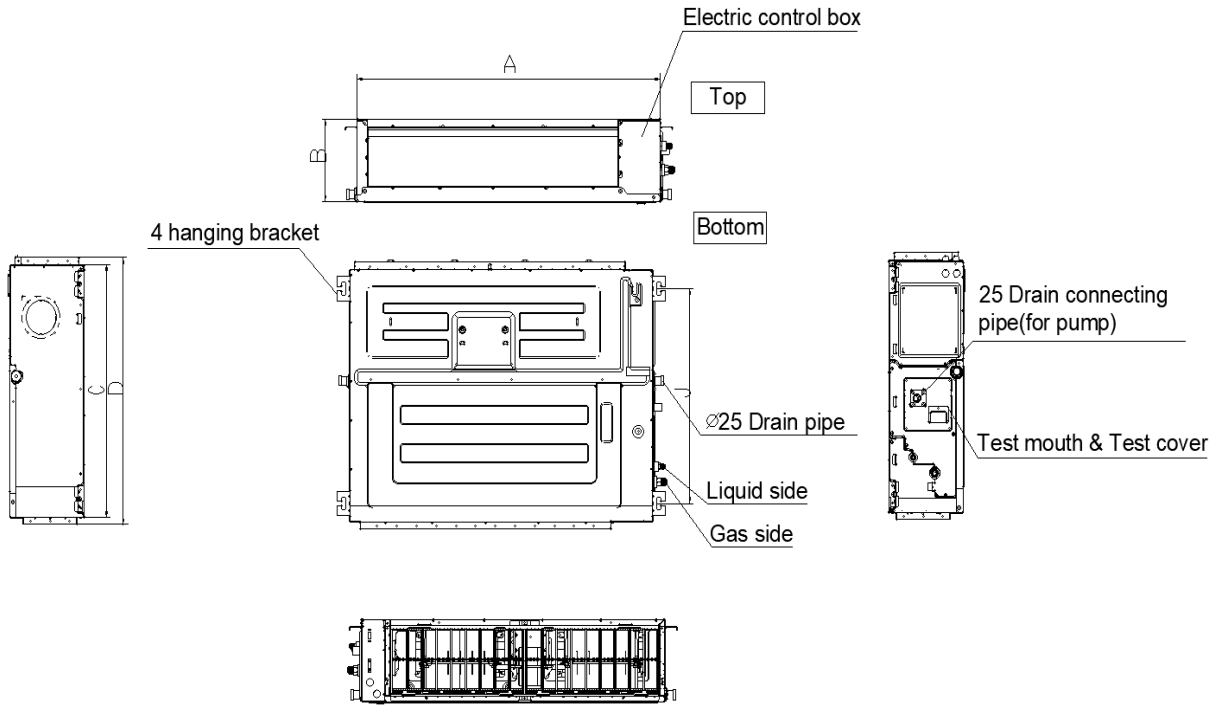
Cooling (Btu/hr)	
Rated Capacity	12000
Min/Max Capacity	2200 ~ 12900
Moisture Removal (L/h)	1.30
Standard Operating Range (°F/°C)	-13°F ~ 122°F (-25°C ~ 50°C)
Conditions:	Indoor: 80°F DB/67°F WB Outdoor: 95°F DB/75°F WB

Heating (Btu/hr)	
1. @ 47°F Rated	12000
1. @ 47°F Min/Max Capacity	3700 ~ 15700
2. @ 17°F Rated	9100
3. @ 5°F Rated: Capacity / COP	8900 / 2.44
3. @ 5°F Max: Capacity	8900
Standard Operating Range (°F/°C)	-13°F ~ 75°F (-25°C ~ 24°C)
1. Conditions:	Indoor: 70°F DB/60°F WB Outdoor: 47°F DB/43°F WB
2. Conditions:	Indoor: 70°F DB/60°F WB Outdoor: 17°F DB/15°F WB
3. Conditions	Indoor: 70°F DB/60°F WB Outdoor: 5°F DB/5°F WB

Power Supply	208/230V, 60Hz, 1Ph
System MCA	12.00
Connection Wiring	14#x4
System MOP	15
Compressor RLA	7.3
Outdoor Fan Motor RLA	0.6
Outdoor Fan Motor W	34
Indoor Fan Motor RLA	1.5
Indoor Fan Motor W	165
System Power Input @ Cooling (W)	999 (220 ~ 1200)
System Power Input @ Heating (W)	952 (255 ~ 1380)
MCA: Min. circuit amps (A)	MOP: Max. overcurrent protection (A)
RLA: Rated load amps (A)	W: Fan motor rated output (W)

Throttle type (Indoor)	N/A
Throttle type (Outdoor)	EXV
Liquid Size	6.35mm (1/4in)
Gas Size	9.52mm (3/8in)
Max. Piping Length (ft/m)	82.00 (25)
Max. Height Difference (ft/m)	49.20 (15)
Max. Pre-charged Length (ft/m)	24.6 (7.5)
Refrigerant Pre-charged Amount (oz/kg)	32.45 (0.92)
Additional Charge of Refrigerant ((oz/ft)/(g/m))	0.16 (15)
Connection Method	Flared

Indoor Unit Dimensions



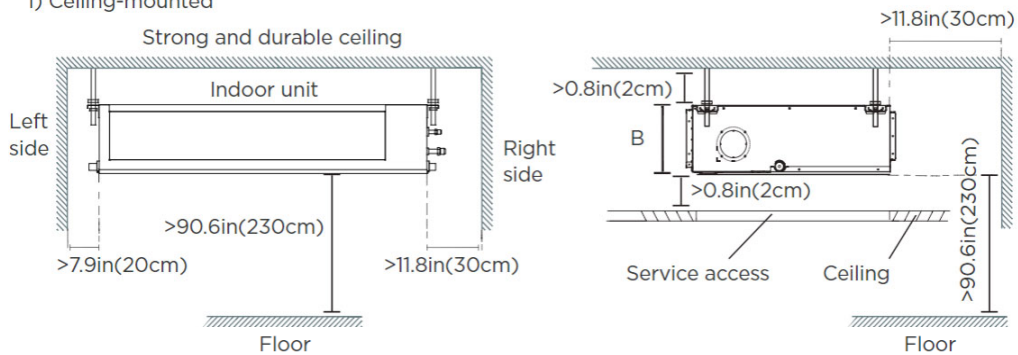
MODEL	A	B	C	D
9K	27-1/2in(700mm)	7-7/8in(200mm)	17-3/4(450mm)	20in(506mm)
12K	27-1/2in(700mm)	9-5/8in(245mm)	29-1/2(750mm)	31-1/4in(795mm)
18K~24K	39-3/8in(1000mm)	9-5/8in(245mm)	29-1/2(750mm)	31-1/4in(795mm)

Indoor Unit Installation Instructions

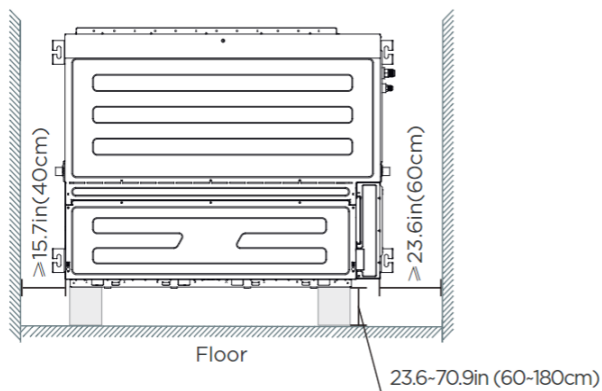
Installation place

The distance between the mounted indoor unit should meet the specifications illustrated in the following diagram.

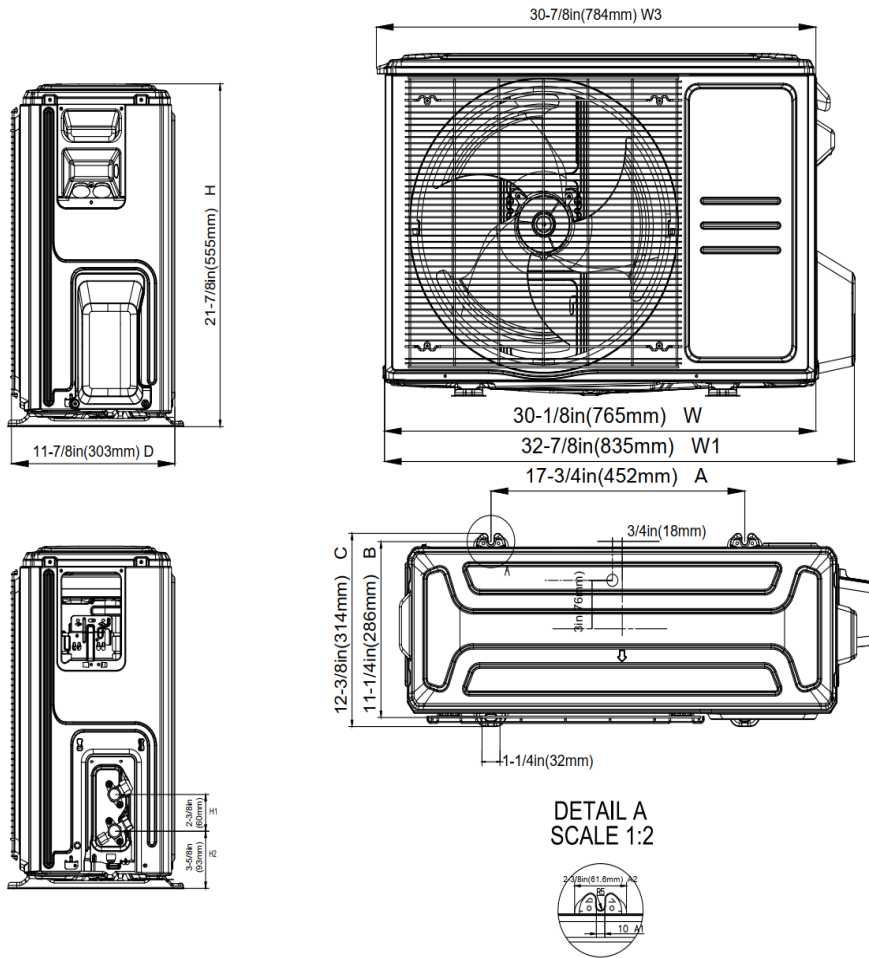
1) Ceiling-mounted



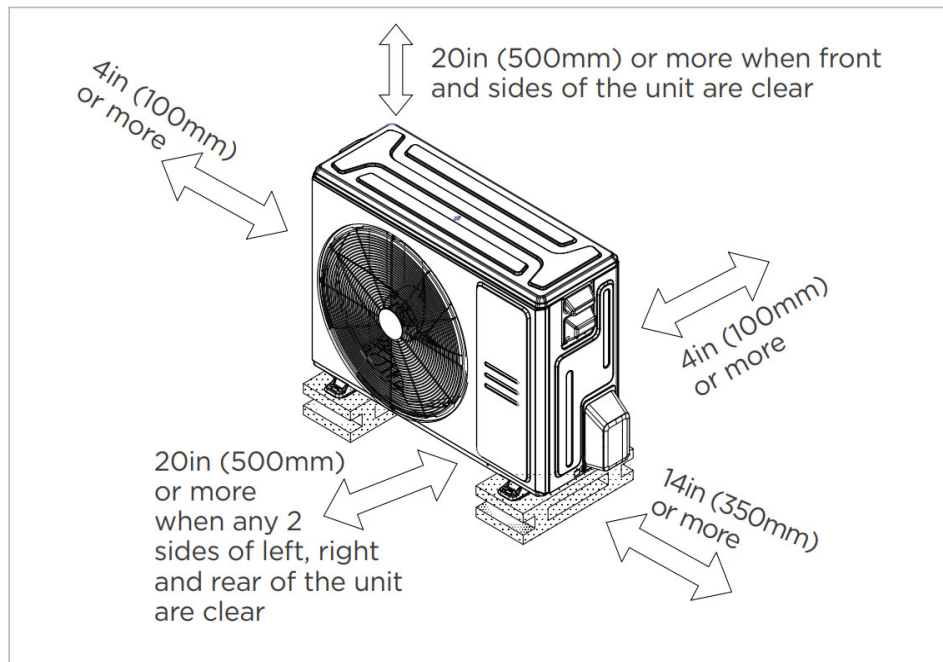
2) Wall-mounted



Outdoor Unit Dimensions

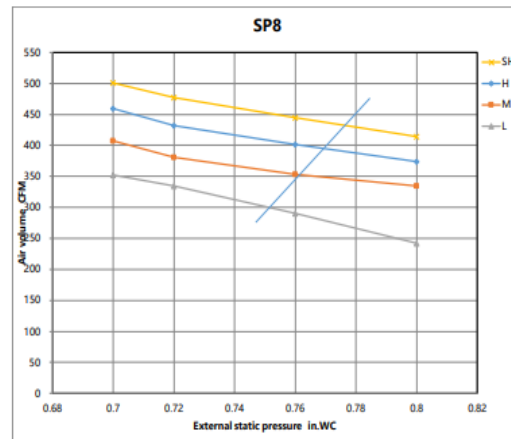
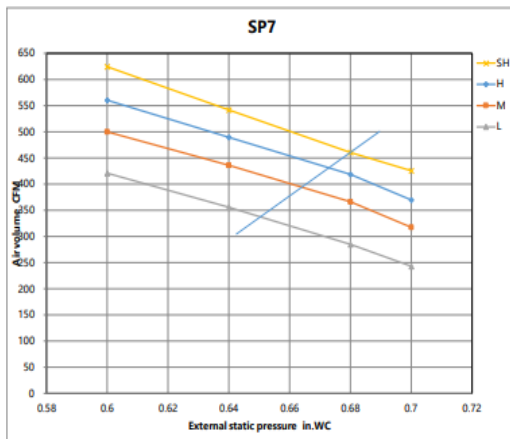
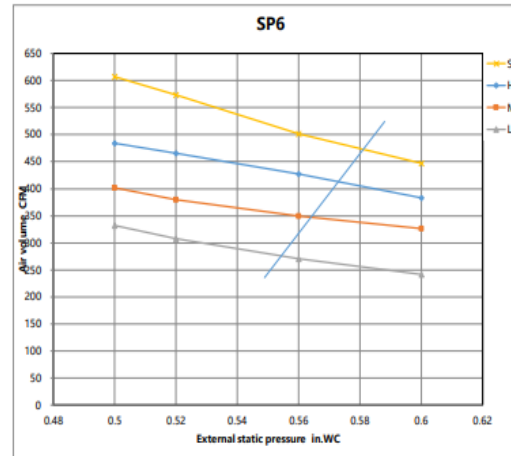
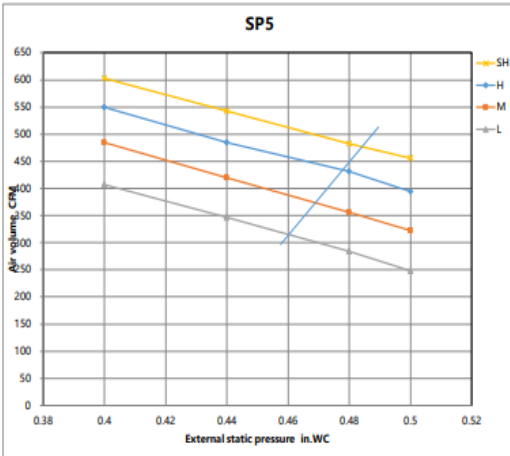
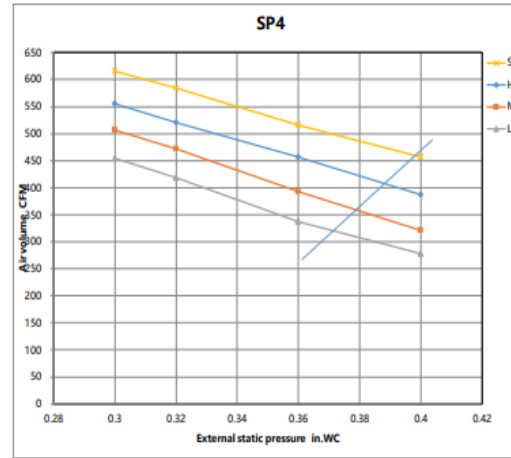
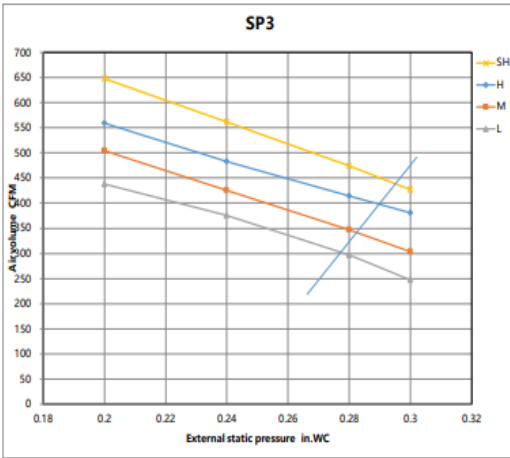
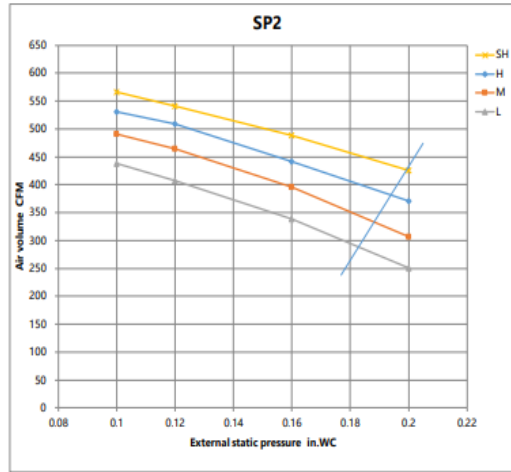
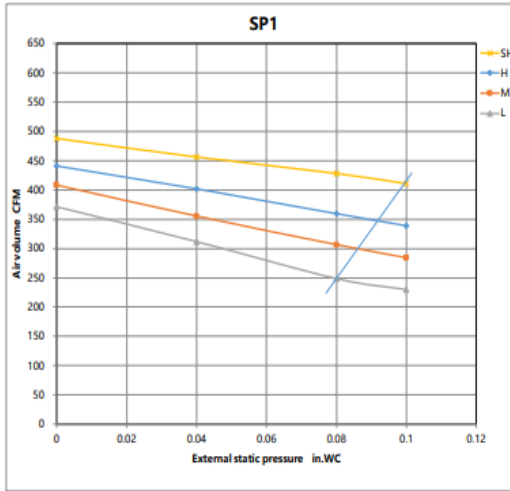


Outside Unit Installation Instructions

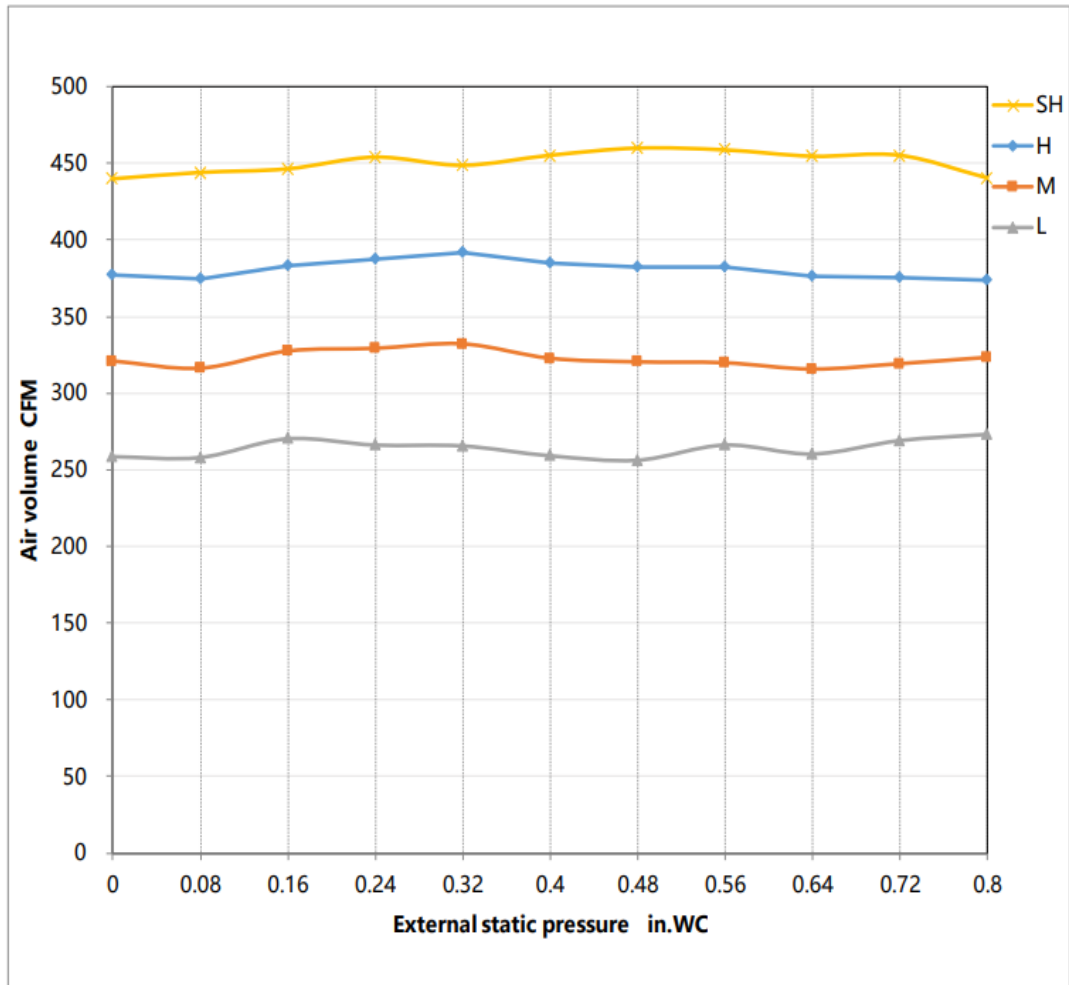


Meets all spatial requirements shown in Installation Clearance Requirements above.

Indoor Unit Fan Performance



Constant air volume



Features

- Compatible with both horizontal and vertical installation
- Static pressure up to 0.8 in.w.g (for all models)
- Static pressure setting stages: 8
- Refrigerant leakage detection sensor
- Constant airflow
- Built-in pump
- i-clean
- Fan speed stages: 1~100%
- WiFi capability: through wired controller with built-in WiFi
- OTA (by using wired controller 120N (X6W))
- 2-pin connector (HA/HB) for programmable wired controller
- Multiple control options available:
 - Two way communication wired controller: 120N (X6)
 - Two way communication wired controller with built-in WiFi: 120N (X6W)
 - Infrared wired controller: 120L
 - Wireless remote controller
 - Third-Party 24V Thermostat*

*24V interface is required.