



Submittal Data Sheet

Indoor Unit Model#: ACiQ-K36W-W-32-HP230B (White)
ACiQ-K36W-BL-32-HP230B (Black)

Outdoor Unit Model#: ACiQ-K36Z-32-HP230B

ACiQ Essentials 36K (230V) R32 20 SEER2 Single-Zone Mini-Split System	
Location:	Approval:
Engineer:	Date:
Submitted to:	Construction:
Submitted by:	Unit #:
Reference:	Drawing #:



INDOOR UNIT SPECIFICATIONS		
Indoor Airflow (Turbo/Hi/Med/Lo/Mute)	CFM	847 / 705 / 588 / 470 / 412
Indoor Noise Level (cooling) (Turbo/Hi/Med/Lo/Mute)	dB(A)	54 / 51 / 45 / 39 / 37
Suitable Room Coverage Area	sq. ft.	Up to 646
Moisture Removal/Dehumidification	Liters/hr	3.0
Controller	Type	Remote
Unit Dimensions (W×D×H)	in	46.89 x 10.16 x 14.17
	mm	1191 x 258 x 360
Packing Dimensions (W×D×H)	inch	49.61 x 12.91 x 16.93
	mm	1260 x 328 x 430
Net Weight	lbs	38.6
	kg	17.5
Gross Weight	lbs	48.5
	kg	22.0

OUTDOOR UNIT SPECIFICATIONS		
Outdoor Noise Level	dB(A)	63
Unit Dimensions (with Valve cover) (W×D×H)	in	38.50 x 16.57 x 31.61
	mm	978 x 421 x 803
Packing Dimensions (W×D×H)	in	40.24 x 18.90 x 32.87
	mm	1022 x 480 x 835
Net Weight	lbs	106.9
	kg	48.5
Gross Weight	lbs	122.4
	kg	55.5

SYSTEM PERFORMANCE			
Cooling Performance			
Rated Cooling Capacity at 95°F (35°C)	Btu/h	36000	
Cooling Capacity Range	Btu/h	7500 ~ 36000	
EER2 at 95°F (35°C)	Btu/W.h	9.5	
SEER2 at 95°F (35°C)	Btu/W.h	20.0	
Rated Input Consumption	W	3700	
Rated Current	A	16.4	

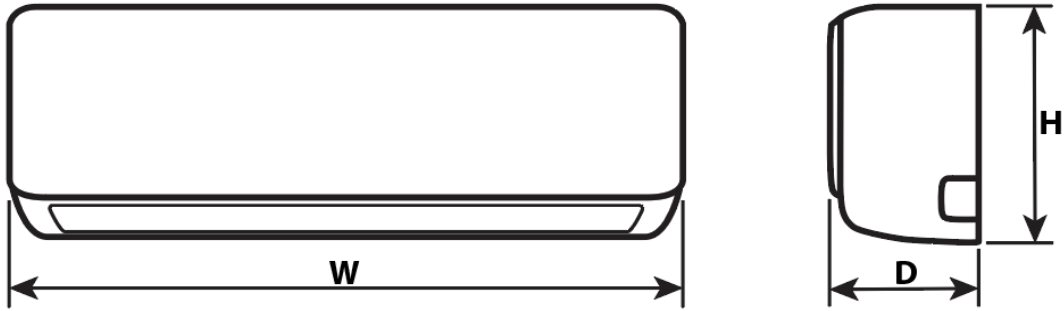
Heating Performance			
Rated Heating Capacity at 47°F (8.3°C)	Btu/h	36000	
Rated Heating Capacity at 17°F (-8.3°C)	Btu/h	28400	
Max. Heating Capacity at 5°F (-15°C)	Btu/h	23000	
Max. Heating Capacity at -4°F (-20°C)	Btu/h	16800	
Heating Capacity Range	Btu/h	7500 ~ 36000	
HSPF2-Region IV	Btu/W.h	9.5	
HSPF2-Region V	Btu/W.h	8.1	
COP2 at 47°F (8.3°C)	W/W	3.1	
COP2 at 5°F (-15°C)	W/W	1.8	
Rated Input Consumption	W	3470	
Rated Current	A	15.4	

OPERATING & AMBIENT TEMPERATURE RANGE			
Operating Temperature Range	°F	60.8 ~ 87.8	
	°C	16 ~ 31	
Ambient Temperature Range (Cooling Operation)			
Indoor Unit	°F	63°F ~ 90°F	
	°C	17°C ~ 32°C	
Outdoor Unit	°F	5°F ~ 127°F	
	°C	-15°C ~ 53°C	
Ambient Temperature Range (Heating Operation)			
Indoor Unit	°F	32°F ~ 81°F	
	°C	0°C ~ 27°C	
Outdoor Unit	°F	-4°F ~ 75°F	
	°C	-20°C ~ 24°C	

ELECTRICAL SPECIFICATIONS		
Power Supply	V, Ph, Hz	208/230V, 1 Ph, 60 Hz
Minimum Circuit Ampacity (MCA)	A	22
Max. Fuse Size	A	35
Recommended Connection Wiring	Size x Core No.	4 x 16 AWG
Recommended Power Wiring	Core No.	3 x 12 AWG

REFRIGERANT PIPING SPECIFICATIONS		
Refrigerant	Type	R32
Refrigerant Charge Amount	oz	55.73
	g	1580
Additional Charge of Refrigerant	oz/ft	0.11
	g/m	10
Max. Allowable Pressure	Mpa	5.0
Liquid Piping Size	in	1/4"
	mm	6.35
Gas Piping Size	in	5/8"
	mm	15.88
Included Line Set Length (not pre-charged w/ refrigerant)	ft	16
	m	4.88
Max. Piping Length	ft	98
	m	30
Max. Height Difference	ft	65
	m	20
Connection Method	Type	Flared Fitting

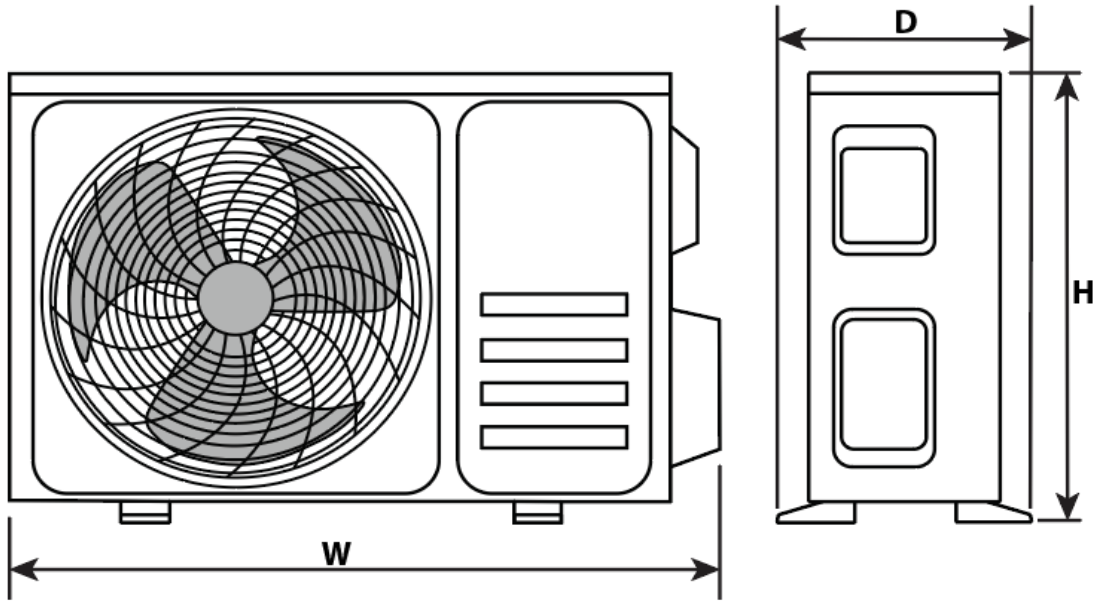
Indoor Unit Dimensions



Capacity	W (Width)	D (Depth)	H (Height)
9K	31.93 in (811 mm)	7.99 in (203 mm)	11.50 in (292 mm)
12K	31.93 in (811 mm)	7.80 in (198 mm)	11.50 in (292 mm)
18K	35.83 in (910 mm)	8.11 in (206 mm)	11.57 in (294 mm)
24K	39.76 in (1010 mm)	8.66 in (220 mm)	12.40 in (315 mm)
36K	46.89 in (1191 mm)	10.16 in (258 mm)	14.17 in (360 mm)

Units: Inch (Millimeter)

Outdoor Unit Dimensions



Capacity	W (Width)	D (Depth)	H (Height)
9K	30.98 in (787 mm)	11.42 in (290 mm)	19.61 in (498 mm)
12K	31.50 in (800 mm)	12.01 in (305 mm)	21.69 in (551 mm)
18K	33.54 in (852 mm)	13.74 in (349 mm)	23.70 in (602 mm)
24K	36.10 in (917 mm)	14.76 in (375 mm)	27.56 in (700 mm)
36K	38.50 in (978 mm)	16.57 in (421 mm)	31.61 in (803 mm)

Units: Inch (Millimeter)