



Submittal Data Sheet

Indoor Unit Model#: ACIQ-12FM-HH-MD
Outdoor Unit Model#: ACIQ-12ZS-HP230C

12K R454B Console Air Handler & 12k Std. Heat Single-Zone Condenser

Location:	Approval:
Engineer:	Date:
Submitted to:	Construction:
Submitted by:	Unit #:
Reference:	Drawing #:



INDOOR UNIT SPECIFICATIONS		
Indoor Air Flow (Turbo/Hi/Med/Lo/Si) (CFM)	441.4 / 376.7 / 323.7 / 188.4 / 129.5	
Indoor Noise Level (Turbo/Hi/Med/Lo/Si) (dBA)	42 / 39 / 34.5 / 29.5 / 23.5	
Dimension (WxDxH)	inch	31.26 x 7.87 x 24.45
	mm	794.0 x 200.0 x 621.0
Package (WxDxH)	inch	34.06 x 11.02 x 28.31
	mm	865 x 280 x 719
Net/Gross Weight	lbs	32.85 / 41.89
	kg	14.9 / 19

OUTDOOR UNIT SPECIFICATIONS		
Compressor Type	ROTARY	
Compressor Model	KSK103D33UEZ3	
Refrigerant Type	R454B	
Refrigerant Oil Charge (mL)	310	
Refrigerant Oil	VG74	
Outdoor Air Flow (Max) (CFM)	1236.1	
Outdoor Noise Level (dBA)	54.5	
Dimension (WxDxH)	inch	30.12 x 11.93 x 21.85
	mm	765.0 x 303.0 x 555.0
Package (WxDxH)	inch	34.92 x 13.27 x 24.02
	mm	887 x 337 x 610
Net/Gross Weight	lbs	62.17 / 67.68
	kg	28.2 / 30.7

EFFICIENCY RATINGS			
Cooling		Heating	
SEER2	24.6	HSPF2.4	11.0
EER2	12.7	COP	3.90

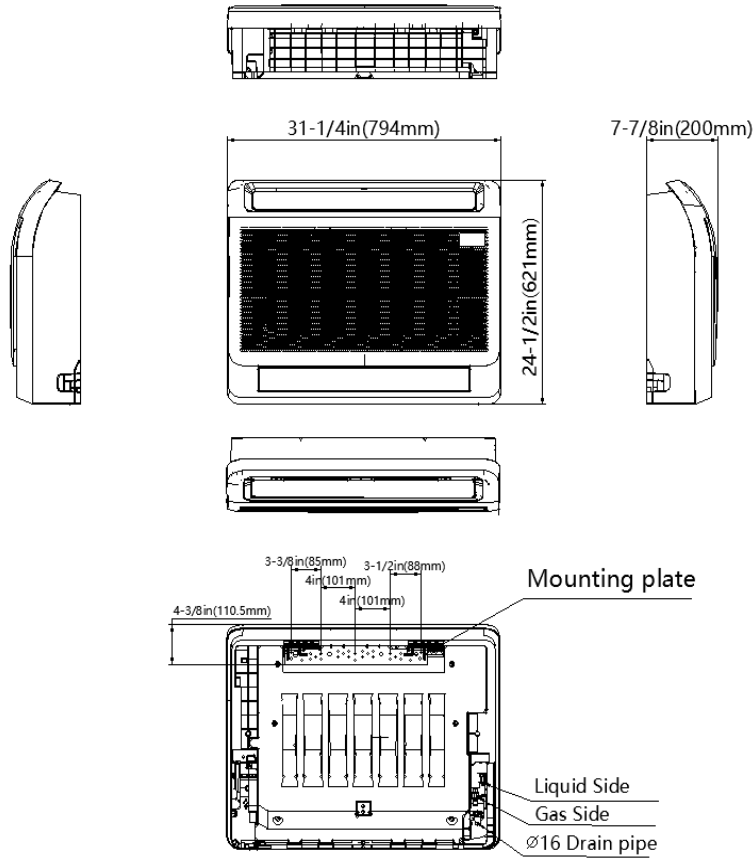
COOLING PERFORMANCE	
Cooling (Btu/hr)	
Rated Capacity	12000
Min/Max Capacity	4000 ~ 13100
Moisture Removal (L/h)	1.28
Standard Operating Range (°F/°C)	-13°F ~ 122°F (-25°C ~ 50°C)
Conditions:	Indoor: 80°F DB/67°F WB Outdoor: 95°F DB/75°F WB

HEATING PERFORMANCE	
Heating (Btu/hr)	
1. @ 47°F Rated	12000
1. @ 47°F Min/Max Capacity	5100 ~ 12900
2. @ 17°F Rated	9000
3. @ 5°F Rated: Capacity / COP	8900 / 2.50
3. @ 5°F Max: Capacity	8900
Standard Operating Range (°F/°C)	-13°F ~ 75°F (-25°C ~ 24°C)
1. Conditions:	Indoor: 70°F DB/60°F WB Outdoor: 47°F DB/43°F WB
2. Conditions:	Indoor: 70°F DB/60°F WB Outdoor: 17°F DB/15°F WB
3. Conditions:	Indoor: 70°F DB/60°F WB Outdoor: 5°F DB/5°F WB

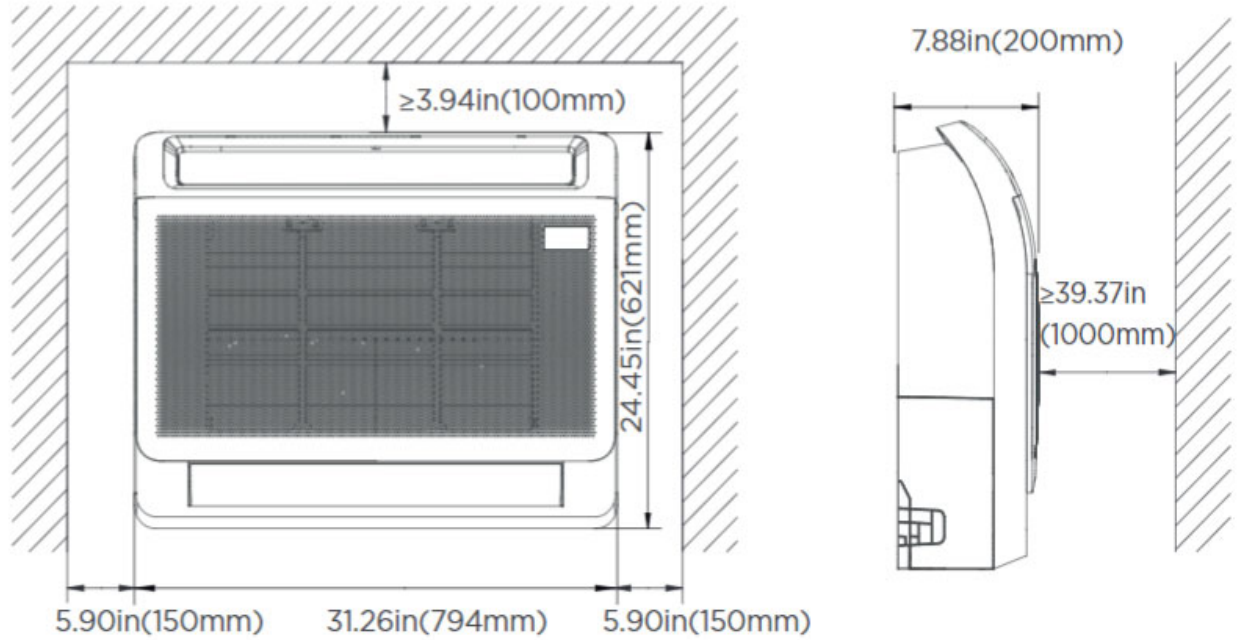
ELECTRICAL SPECIFICATIONS		
Power Supply	208/230V, 60Hz, 1Ph	
System MCA	12.00	
Connection Wiring	14#x4	
System MOP	15	
Compressor RLA	7.3	
Outdoor Fan Motor RLA	0.6	
Outdoor Fan Motor W	34	
Indoor Fan Motor RLA	0.5	
Indoor Fan Motor W	13	
System Power Input @ Cooling (W)	960 (200 ~ 1140)	
System Power Input @ Heating (W)	897 (265 ~ 1200)	
MCA: Min. circuit amps (A)	MOP: Max. overcurrent protection (A)	
RLA: Rated load amps (A)	W: Fan motor rated output (W)	

REFRIGERANT PIPING SPECIFICATIONS		
Throttle type (Indoor)	N/A	
Throttle type (Outdoor)	EXV	
Liquid Size	6.35mm (1/4in)	
Gas Size	9.52mm (3/8in)	
Max. Piping Length (ft/m)	82.00 (25)	
Max. Height Difference (ft/m)	49.20 (15)	
Max. Pre-charged Length (ft/m)	24.6 (7.5)	
Refrigerant Pre-charged Amount (oz/kg)	32.45 (0.92)	
Additional Charge of Refrigerant ((oz/ft)/(g/m))	0.16 (15)	
Connection Method	Flared	

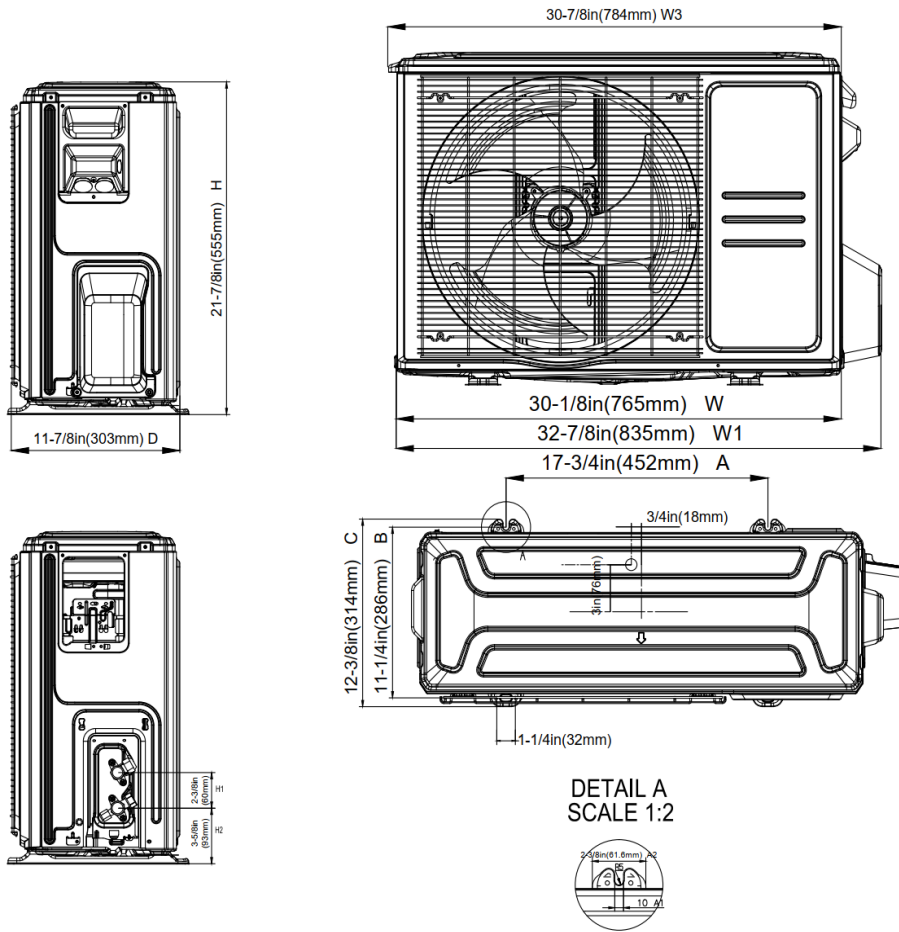
Indoor Unit Dimensions



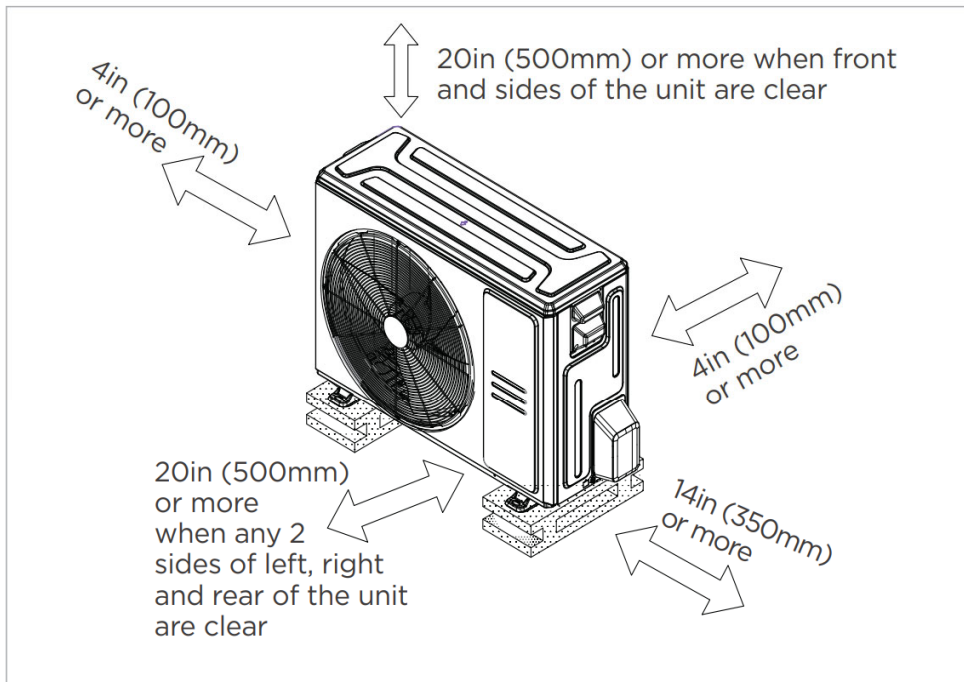
Indoor Unit Installation Instructions



Outdoor Unit Dimensions



Outdoor Unit Installation Instructions



Meets all spatial requirements shown in Installation Clearance Requirements above.

Features

- Compact Design
- Dual Air Outlets
- Refrigerant leakage detection sensor
- Humidity sensor
- 1~100% fan speed setting
- WiFi capability: through WiFi dongle or wired controller with built-in WiFi
- OTA (by using WiFi dongle)
- Multiple control options available:
 - Two way communication wired controller: 120N (X6)
 - Two way communication wired controller with built-in WiFi: 120N (X6W)
 - Infrared wired controller: 120L
 - Wireless remote controller
 - Third-Party 24V Thermostat*

*24V interface is required.