



# Submittal Data Sheet

Indoor Unit Model#: ACiQ-18FM-HH-MD  
 Outdoor Unit Model#: ACiQ-18ZS-HP230C

## 18K R454B Ceiling & Floor Mounted Air Handler & 18K Std. Heat Single-Zone Condenser System

Location:	Approval:
Engineer:	Date:
Submitted to:	Construction:
Submitted by:	Unit #:
Reference:	Drawing #:



INDOOR UNIT SPECIFICATIONS		
Indoor Air Flow (Turbo/Hi/Med/Lo/Si) (CFM)	576.8 / 547.4 / 485.6 / 420.8 / 420.8	
Indoor Noise Level (Turbo/Hi/Med/Lo/Si) (dBA)	43 / 43 / 40 / 32 / 29	
Dimension (WxDxH)	inch	42.05 x 26.57 x 9.25
	mm	1068.0 x 675.0 x 235.0
Package (WxDxH)	inch	45.08 x 29.72 x 12.52
	mm	1145 x 755 x 318
Net/Gross Weight	lbs	58.42 / 70.55
	kg	26.5 / 32.0

OUTDOOR UNIT SPECIFICATIONS		
Compressor Type	ROTARY	
Compressor Model	KSN140D58UFZ	
Refrigerant Type	R454B	
Refrigerant Oil Charge (mL)	440	
Refrigerant Oil	VG74	
Outdoor Air Flow (Max) (CFM)	1765.8	
Outdoor Noise Level (dBA)	57.0	
Dimension (WxDxH)	inch	35.04 x 13.46 x 26.50
	mm	890.0 x 342.0 x 673.0
Package (WxDxH)	inch	39.17 x 15.67 x 29.13
	mm	995 x 398 x 740
Net/Gross Weight	lbs	92.59 / 100.31
	kg	42.0 / 45.5

EFFICIENCY RATINGS			
Cooling		Heating	
SEER2	22.3	HSPF2-4	10.4
EER2	12.5	COP	3.30

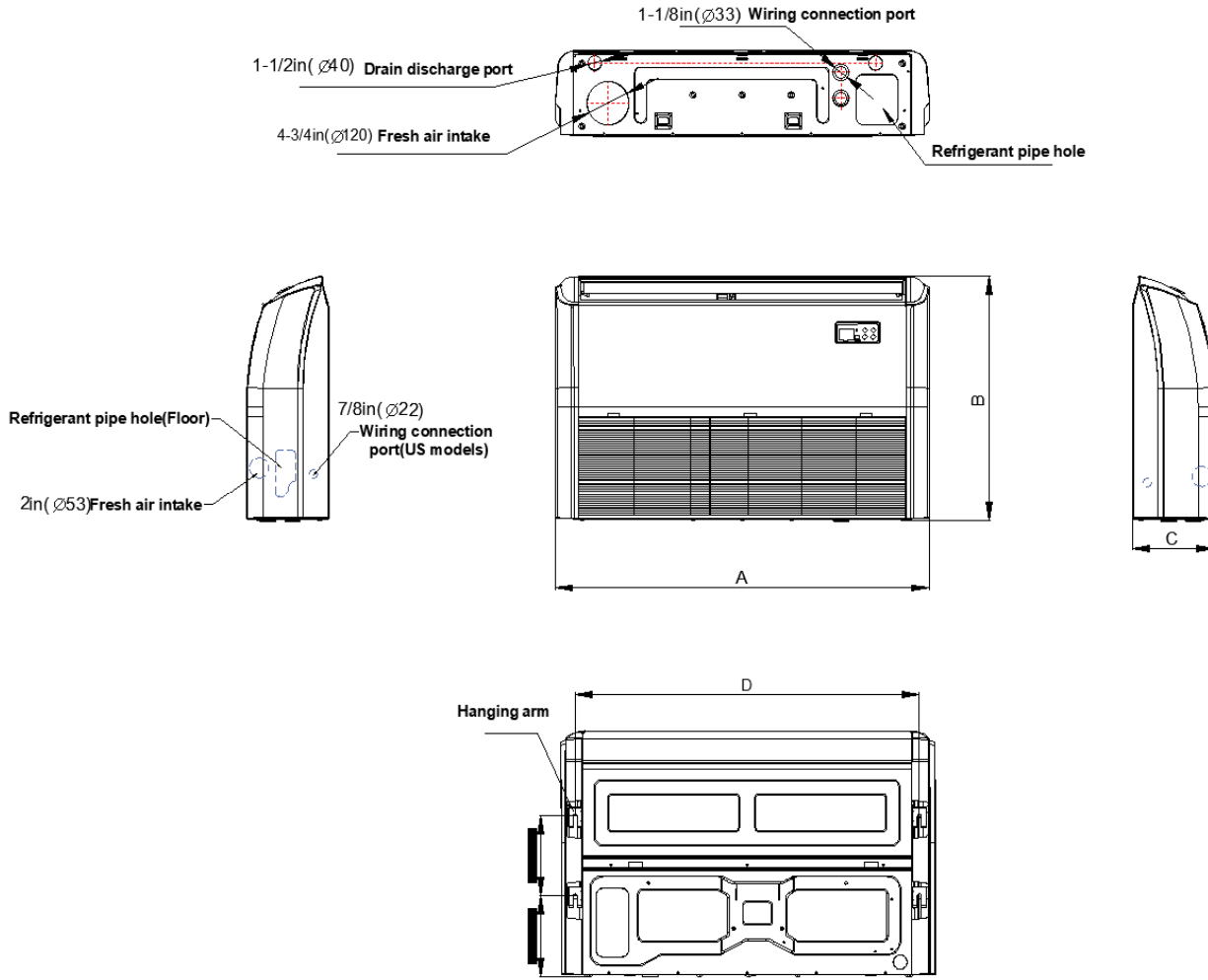
COOLING PERFORMANCE	
Cooling (Btu/hr)	
Rated Capacity	18000
Min/Max Capacity	7000 ~ 19300
Moisture Removal (L/h)	2.10
Standard Operating Range (°F/°C)	-13°F ~ 122°F (-25°C ~ 50°C)
Conditions:	Indoor: 80°F DB/67°F WB Outdoor: 95°F DB/75°F WB

HEATING PERFORMANCE	
Heating (Btu/hr)	
1. @ 47°F Rated	18000
1. @ 47°F Min/Max Capacity	7200 ~ 22200
2. @ 17°F Rated	13700
3. @ 5°F Rated: Capacity / COP	12800 / 2.05
3. @ 5°F Max: Capacity	12800
Standard Operating Range (°F/°C)	-13°F ~ 75°F (-25°C ~ 24°C)
1. Conditions:	Indoor: 70°F DB/60°F WB Outdoor: 47°F DB/43°F WB
2. Conditions:	Indoor: 70°F DB/60°F WB Outdoor: 17°F DB/15°F WB
3. Conditions	Indoor: 70°F DB/60°F WB Outdoor: 5°F DB/5°F WB

ELECTRICAL SPECIFICATIONS	
Power Supply	208/230V, 60Hz, 1Ph
System MCA	18.00
Connection Wiring	14#x4
System MOP	20
Compressor RLA	10.0
Outdoor Fan Motor RLA	0.9
Outdoor Fan Motor W	80
Indoor Fan Motor RLA	1.0
Indoor Fan Motor W	96
System Power Input @ Cooling (W)	1440 (570 ~ 1680)
System Power Input @ Heating (W)	1599 (415 ~ 1990)
MCA: Min. circuit amps (A)	MOP: Max. overcurrent protection (A)
RLA: Rated load amps (A)	W: Fan motor rated output (W)

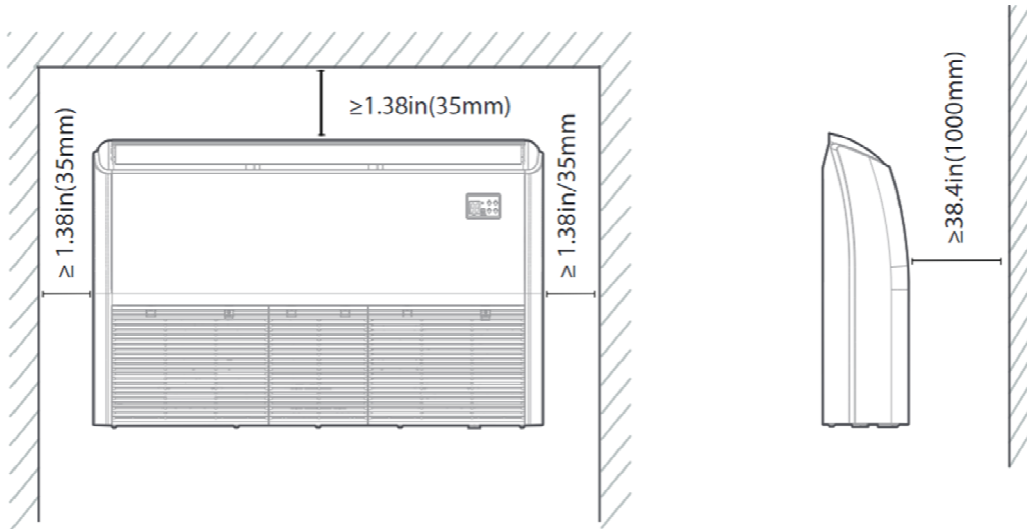
REFRIGERANT PIPING SPECIFICATIONS	
Throttle type (Indoor)	N/A
Throttle type (Outdoor)	EXV+Throttle valve
Liquid Size	6.35mm (1/4in)
Gas Size	12.7mm (1/2in)
Max. Piping Length (ft/m)	98.40 (30)
Max. Height Difference (ft/m)	65.60 (20)
Max. Pre-charged Length (ft/m)	24.6 (7.5)
Refrigerant Pre-charged Amount (oz/kg)	55.38 (1.57)
Additional Charge of Refrigerant ((oz/ft)/(g/m))	0.16 (15)
Connection Method	Flared

### Indoor Unit Dimensions

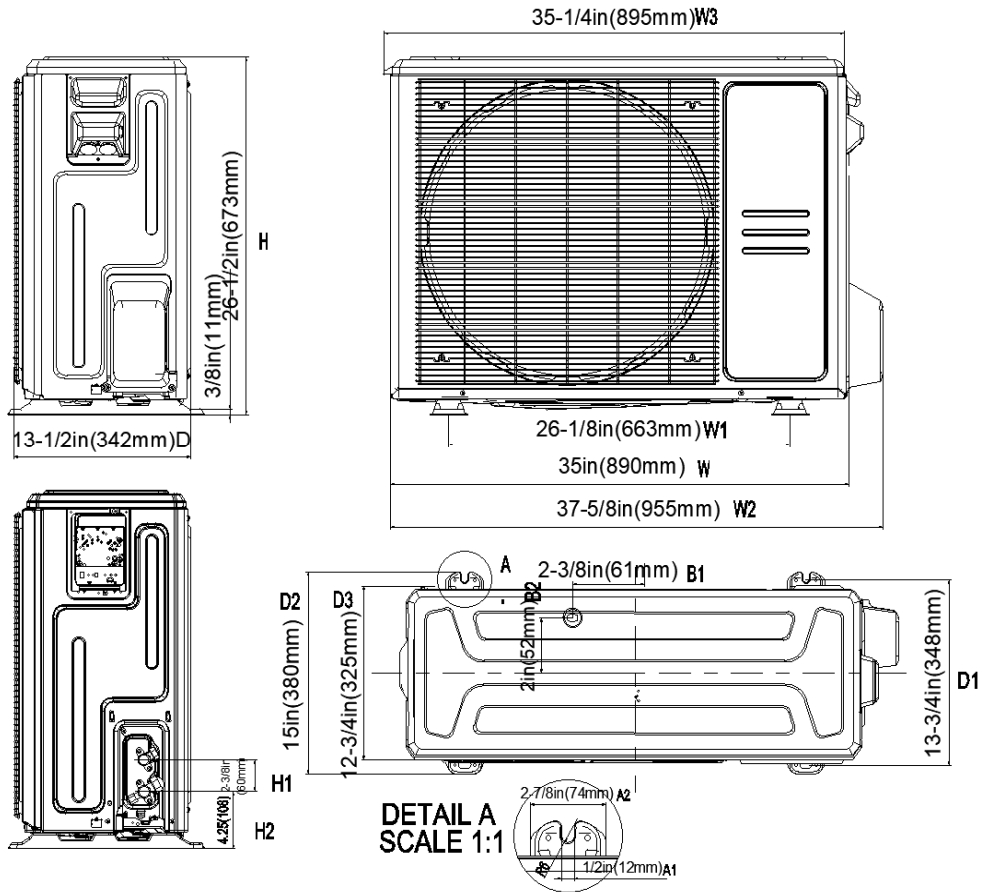


Model	A	B	C	D
18K/24K	42in(1068mm)	26-1/2in(675mm)	9-1/4in(235mm)	38-3/4in(983mm)

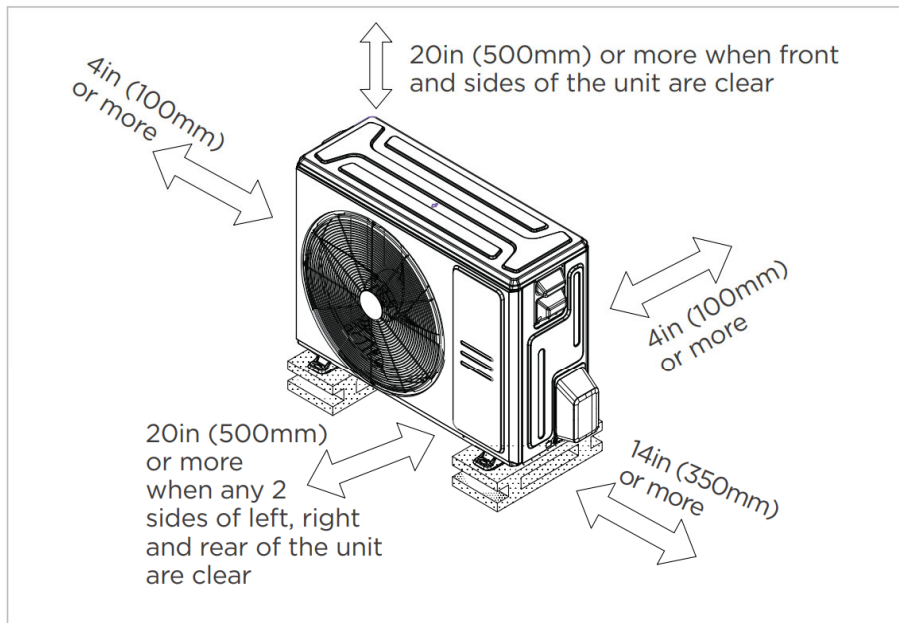
### Indoor Unit Installation Instructions



### Outdoor Unit Dimensions



### Outdoor Unit Installation Instructions



Meets all spatial requirements shown in Installation Clearance Requirements above.

## Features

- 2 Style Installation
- 3D Airflow
- Refrigerant leakage detection sensor
- Humidity sensor
- “88” display tube
- 1~100% fan speed setting
- WiFi capability: through WiFi dongle or wired controller with built-in WiFi
- OTA (by using WiFi dongle)
- 2-pin connector (HA/HB) for programmable wired controller
- Multiple control options available:
  - Two way communication wired controller: 120N (X6)
  - Two way communication wired controller with built-in WiFi: 120N (X6W)
  - Infrared wired controller: 120L
  - Wireless remote controller
  - Third-Party 24V Thermostat\*

\*24V interface is required.