

DECORATIVE BEVEL FRAME INSTALLATION INSTRUCTIONS

KIT NUMBERS - DF362L(NB,BZT,BLX)

FOR USE ON MODELS: DVLL36BP SERIES FIREPLACE ONLY

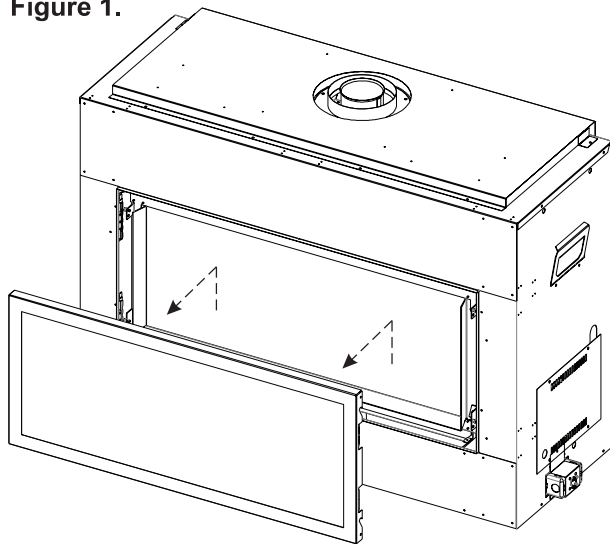
INSTRUCTIONS MUST BE LEFT WITH THE OWNER FOR FUTURE REFERENCE AFTER INSTALLATION.

CLEANING

With the unit turned off and cool to the touch, use a 50/50 solution of vinegar and water and a clean soft cloth to remove dirt and fingerprints. Clean frame before and after start-up and again anytime oil or fingerprints are present. When heated, oil from fingerprints or left over from manufacturing can permanently discolor the plating.

INSTALLATION

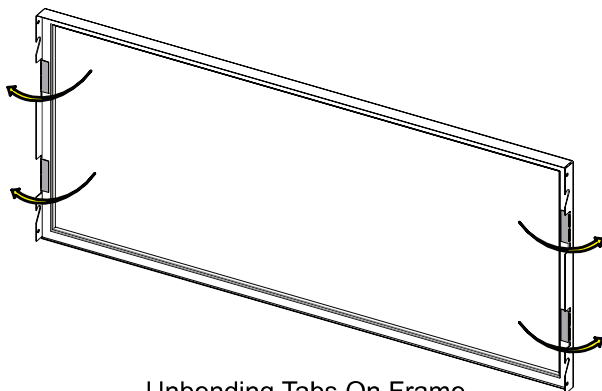
1. With the unit turned off and cool to the touch, remove barrier screen by pulling up and away from unit. See **Figure 1**.



Removing Screen Frame

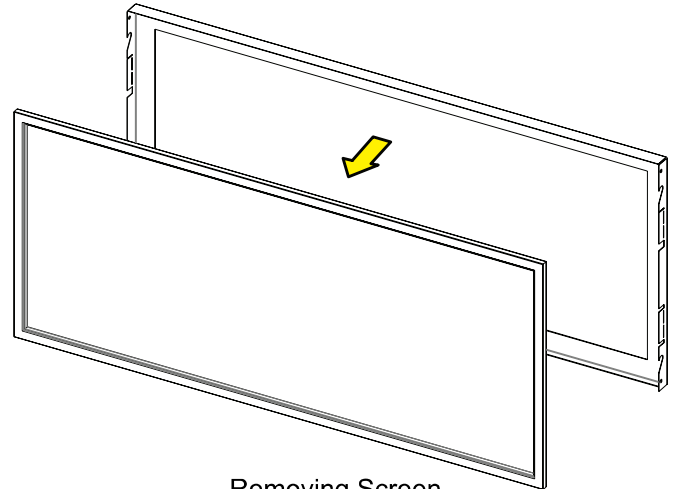
Figure 1

2. Bend 4 hand bend tabs and remove barrier screen from frame. See **Figures 2a and 2b**.



Unbending Tabs On Frame

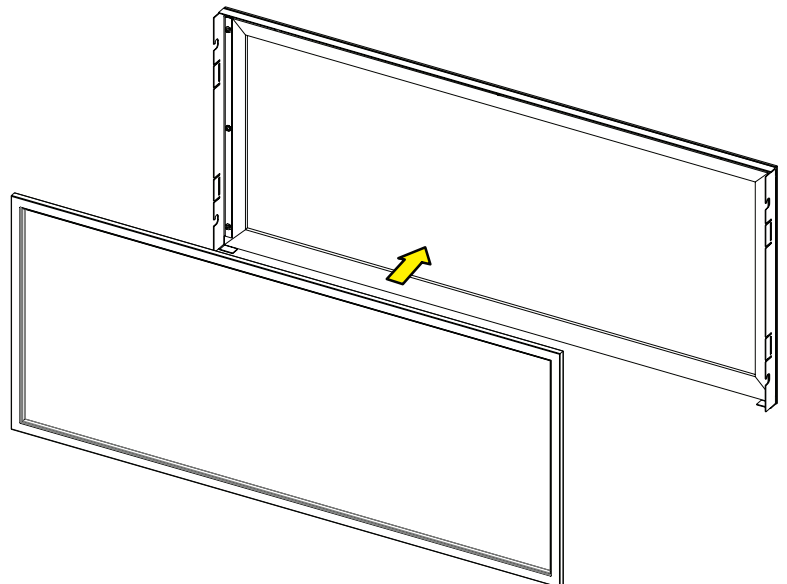
Figure 2a



Removing Screen

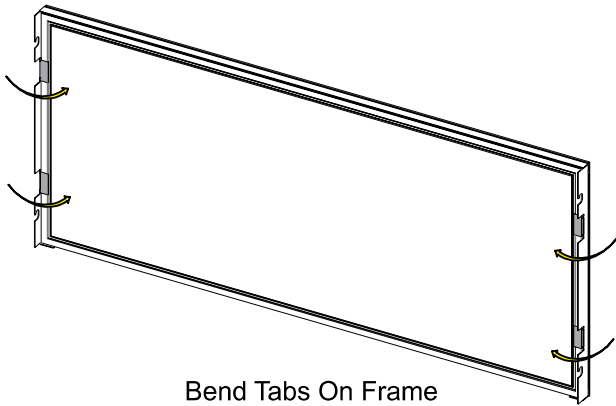
Figure 2b

3. Place screen into Bevel Decorative Frame with screen side closest to Bevel Decorative Frame. Bend the tabs against the screen to hold in place. See **Figures 3a and 3b**.



Install Screen

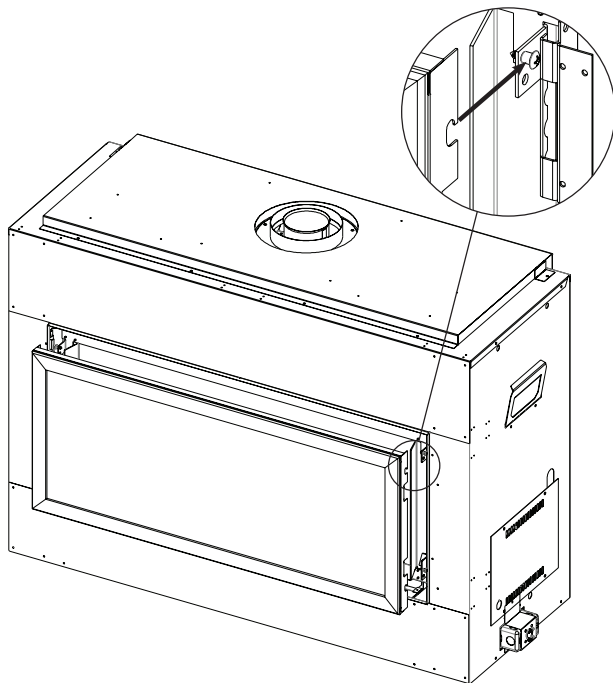
Figure 3a



Bend Tabs On Frame

Figure 3b

4. Install the Bevel Decorative Frame assembly onto the glass frame on the four screws. **See Figure 4.**



Installing Deco Frame

Figure 4



SINCE 1932

www.empirecomfort.com

**Empire Comfort Systems Inc.
Belleville, IL**

If you have a general question
about our products, please e-mail
us at info@empirecomfort.com.

If you have a service or repair
question, please contact your dealer.