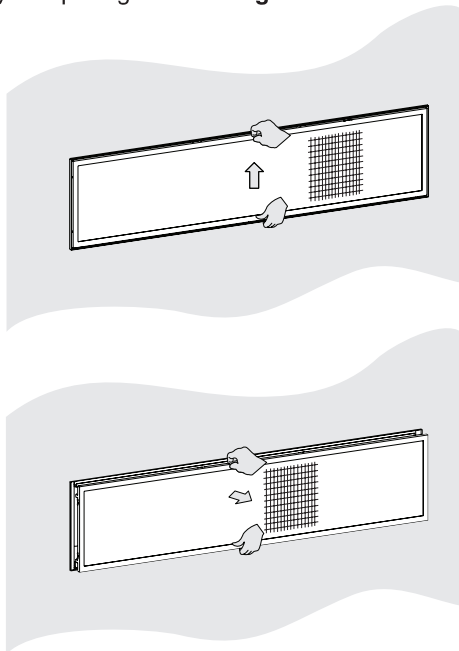


## FOR USE ON: REFLECTIVE LINER KITS

INSTRUCTIONS MUST BE LEFT WITH THE OWNER FOR FUTURE REFERENCE AFTER INSTALLATION.

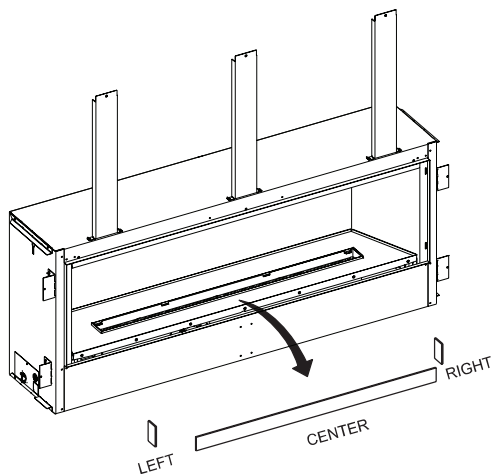
REFLECTIVE LINER KITS		
VFLB36FP(30,90)0-1	VFLB48FP(30,90)-1	VFLB48SP90-1
VBP36LSS-1	VBP48LSS-1	VBP48BLKR-1
VBP36LKR-1	VBP48LBKR-1	
VBP36LWR-1	VBP48LBWR-1	

1. Remove barrier screen assembly from fireplace by lifting up, slightly and pulling out. **See Figure 1.**



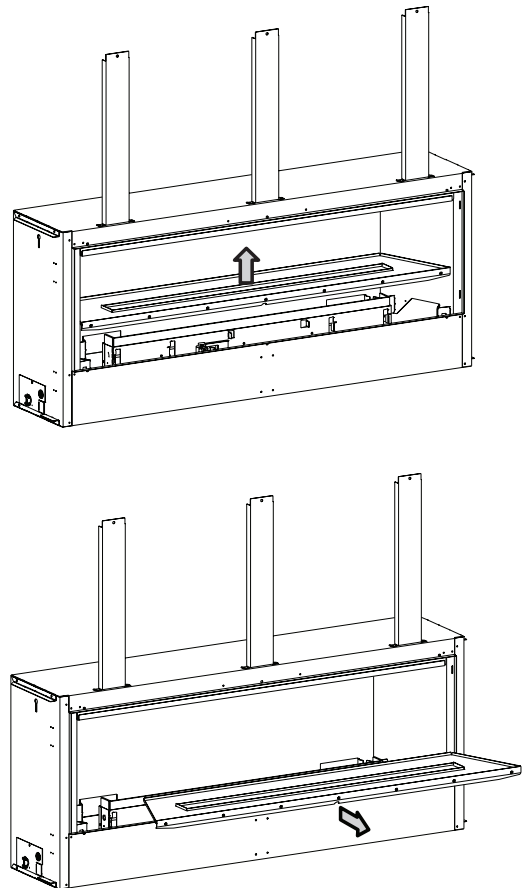
**Figure 1**

2. Remove glass panels around burner. **See Figure 2.**  
**NOTE:** VFLB48SP models will have four glass panels.



**Figure 2**

3. Remove the burner cover by lifting it up and out. Discard burner cover for porcelain kits (VBP36LKR, VBP36LWR, VBP48LBKR, VBP48LBWR, and VBP48BLKR). Keep burner cover for Stainless kits (VBP(36,48)LSS). **See Figure 3.**



**Figure 3**

4. Remove the inner firebox top by removing five Phillips Truss Head Screws. **See Figure 4.**

**NOTE:** If a Light Kit is installed: Unhook the wire harness from the light before removing the inner firebox top. **See Figure 5.**

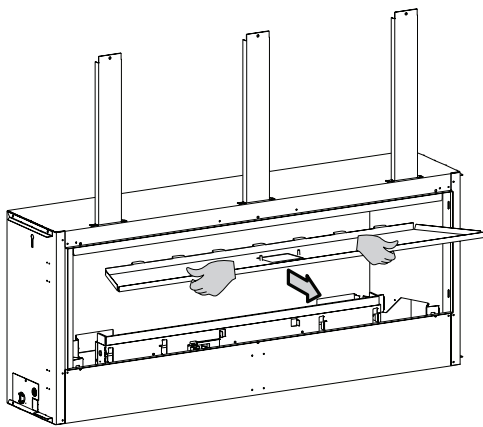
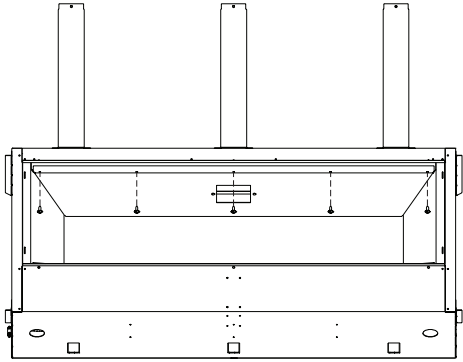


Figure 4

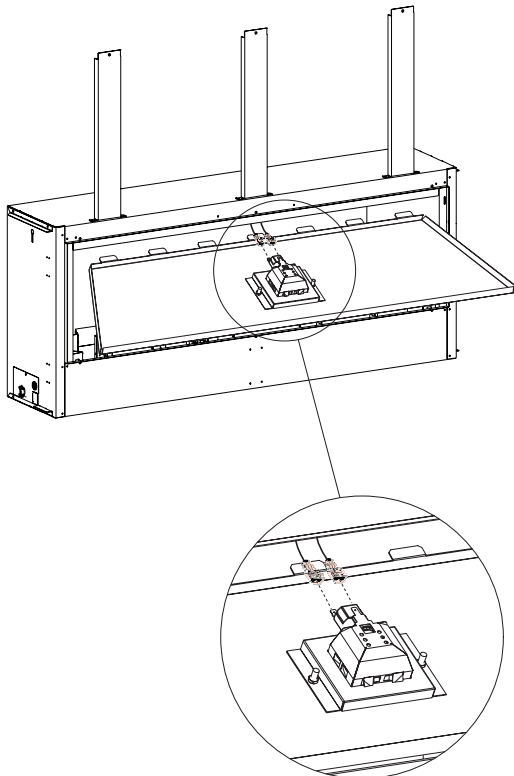


Figure 5

**Note for VBP(36,48)LSS Liners:** Remove plastic coating protecting stainless steel parts before installing. Use stainless steel cleaner to remove manufacturing marks or fingerprints.

5. Place the back liner into the firebox back and secure with two 10 X 1/2 inch screws. The liner will rest on top of the rear liner support brackets. **See Figure 6.**

**NOTE:** VBP48BLKR does not include a back liner; skip to step 6.

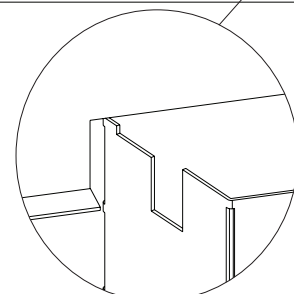
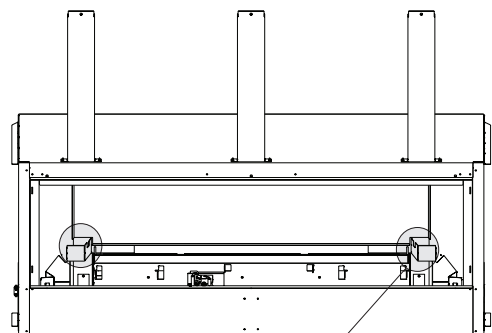
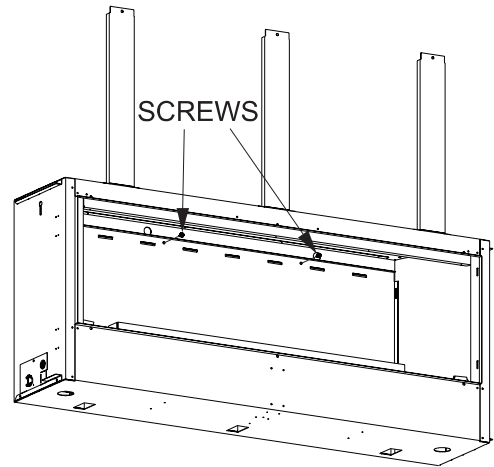
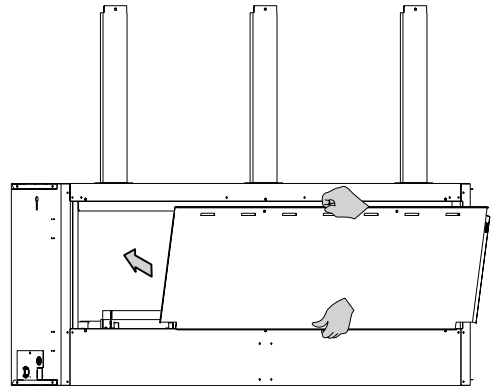


Figure 6

6. Place the left liner on the left side of the firebox. Angle liner up into place and allow bottom to rest on the left liner support brackets. Secure the liner with one 10 x 1/2 inch screw. See Figure 7.

**NOTE:** VBP48BLKR will use two 10 x 1/2 inch screws to secure. See Figure 8.

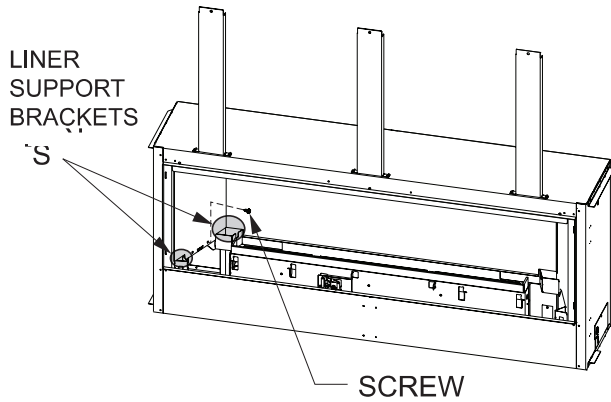
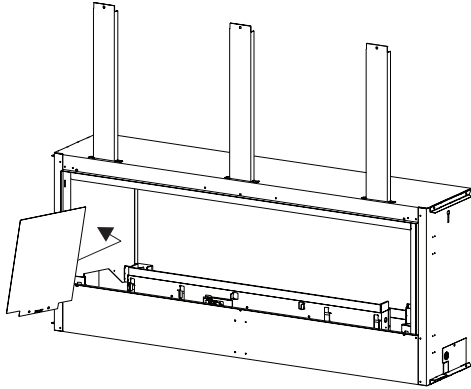


Figure 7

7. Place the right liner on the right side of the firebox. Angle liner up into place and allow bottom to rest on the right liner support brackets. Secure the liner with one 10 x 1/2 inch screw. See Figure 9.

**NOTE:** VBP48BLKR will use two 10 x 1/2 inch screws to secure. See Figure 10.

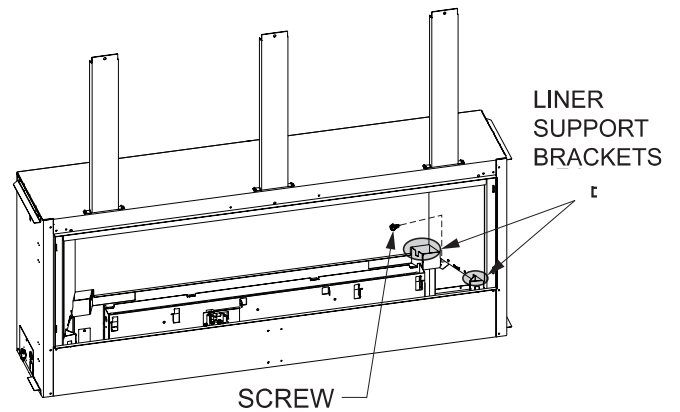
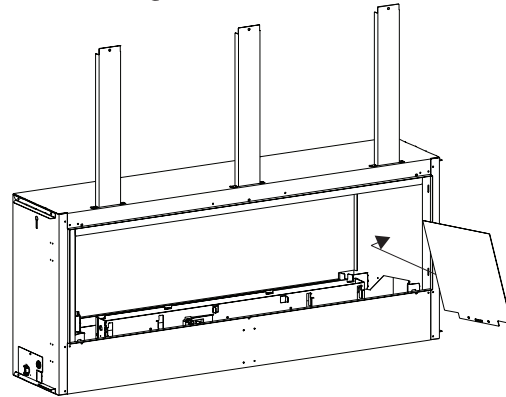


Figure 9

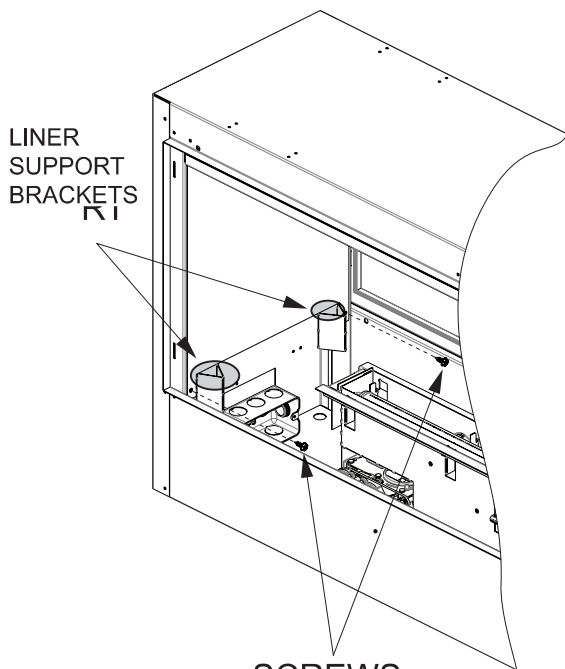


Figure 8

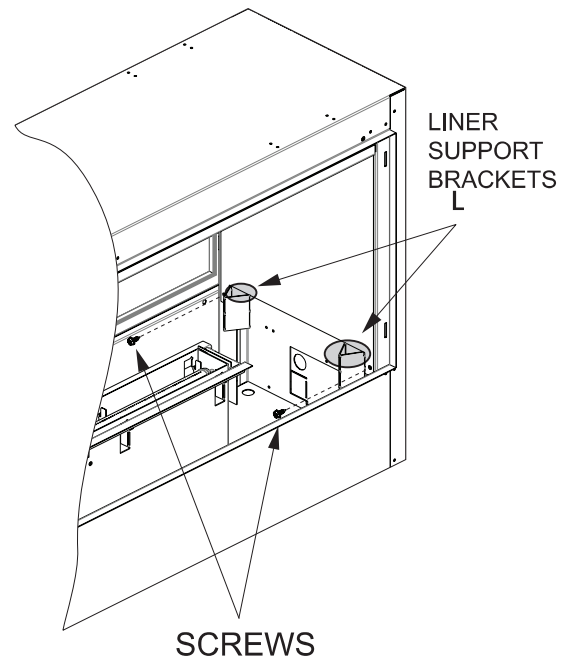
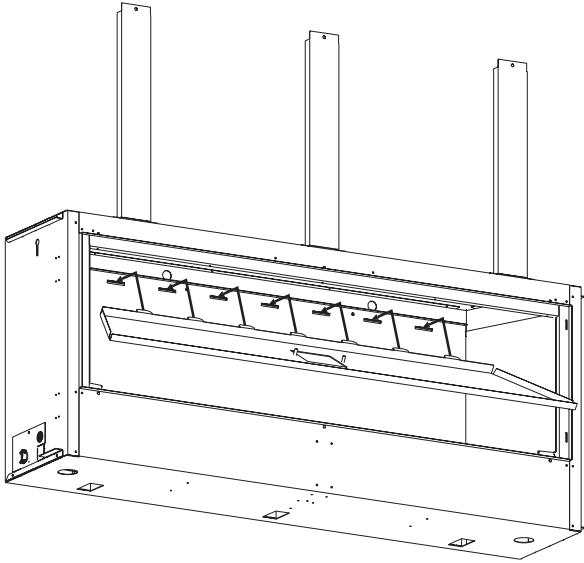


Figure 10

**NOTE:** If a decorative front will be installed, install it at this time. Refer to the instructions provided with the decorative front kit.

- Secure the liners in place by reinstalling the inner firebox top and five screws removed in Step 3. **See Figures 4 and 11.**

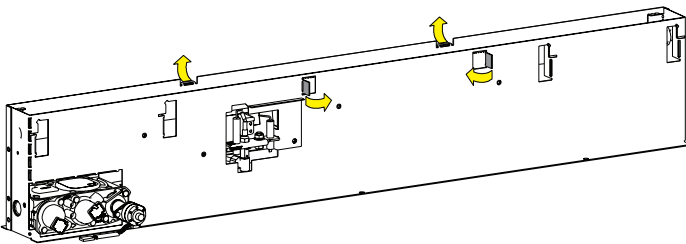
**NOTE:** If a light kit is installed, reconnect the wire harness to the light. **See Figure 5.**



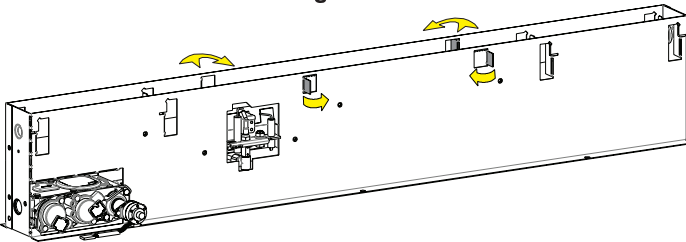
**Figure 11**

- For Porcelain Liner Kits only:** Burner box may have tabs bent away from the burner box. Bend these tabs flush with the burner box. These tabs will allow the burner cover to fit around the burner box.

**NOTE:** These are not the tabs that hold the short glass panels in place. **See Figures 12 and 13.**



**Figure 12**

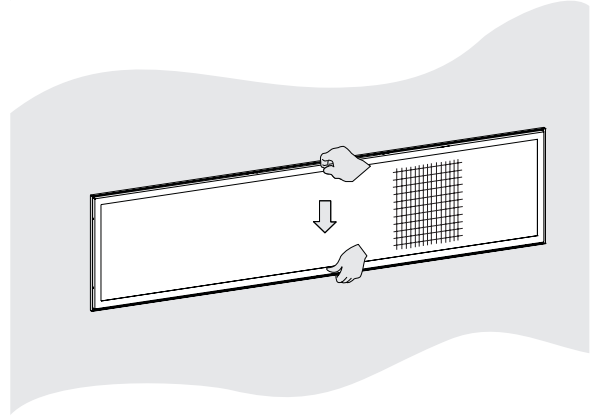
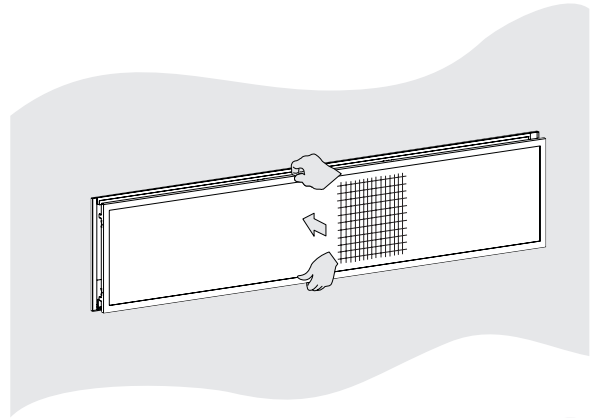


**Figure 13**

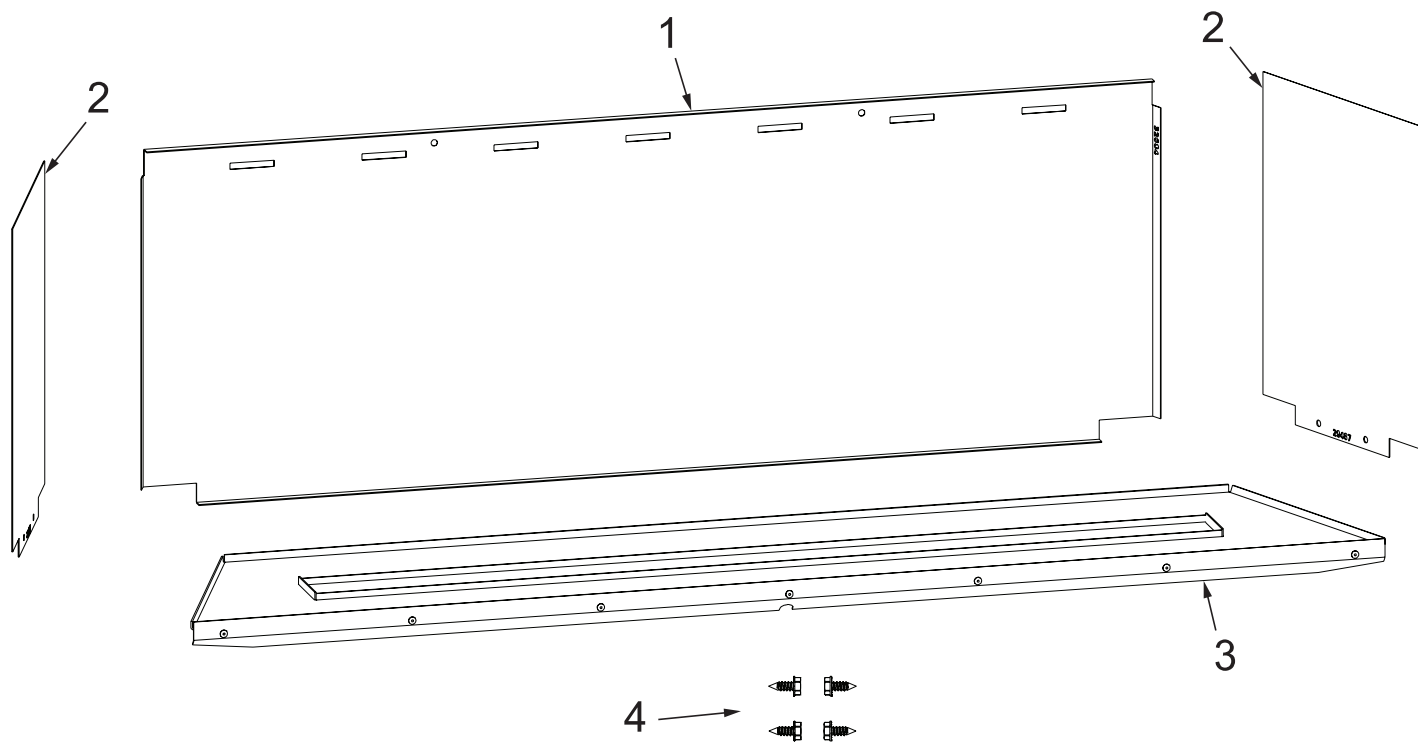
- For VBP(36,48)LSS Models:** Reinstall the burner cover removed in Step 3. **See Figure 3.**  
**For other Models:** Install new burner cover included in the porcelain kit to replace burner cover removed in Step 3. **See Figure 3.**

**NOTE:** Make certain burner cover lays flat in fireplace. Burner cover should not bow.

- Reinstall glass panels removed in Step 2. **See Figure 2.**  
**NOTE:** Verify glass panels are level.
- Reinstall the Barrier Screen onto the fireplace by lining up the tabs with the slots in the firebox. Push the barrier screen toward the unit and lower it slightly to lock in place. **See Figure 14.**



**Figure 14**



INDEX NO.	PART NUMBER			DESCRIPTION
	VBP36LKR	VBP36LWR	VBP36LSS	
1	40262BL	40262WT	40263	Liner Rear
2	29487BL	29487WT	32686	Liner Side (2 Required)
3	40252BL	40252WT	N/A	Burner Cover Assembly
4	R2737	R2737	R2737	#10 X 1/2 inch Screw (4 Required)

INDEX NO.	PART NUMBER			DESCRIPTION
	VBP48LBKR	VBP48LBWR	VBP48LSS	
1	32684BL	32684WT	32685	Liner Rear
2	29487BL	29487WT	32686	Liner Side (2 Required)
3	40254BL	40254WT	N/A	Burner Cover Assembly
4	R2737	R2737	R2737	#10 X 1/2 inch Screw (4 Required)

INDEX NO.	PART NUMBER	DESCRIPTION
	VBP48BLKR	
1	N/A	Liner Rear
2	40264BL	Liner Side (2 Required)
3	40253BL	Burner Cover Assembly
4	R2737	#10 X 1/2 inch Screw (4 Required)

This page intentionally left blank.

This page intentionally left blank.

# *Boulevard*

VENT-FREE LINEAR FIREPLACES

**Empire Comfort Systems Inc.  
Belleville, IL**

If you have a general question  
about our products, please e-mail  
us at [info@empirecomfort.com](mailto:info@empirecomfort.com).

If you have a service or repair  
question, please contact your dealer.

**[www.empirecomfort.com](http://www.empirecomfort.com)**