

Brig ERV 200, 300



Energy Recovery Ventilators are the complete whole house ventilation system designed to bring a continuous supply of fresh air into the house while exhausting an equal amount of stale air.

Features

- Efficient centralized recovery ventilation
- Cross flow core
- Silent operation
- Replaceable filters
- Simple installation and maintenance
- Compatible with 6" and 8" air ducts
- Electronic defrost protection

Motors

- German made high-efficient motor combined with backward inclined impeller delivers exceptionally powerful airflow and high static pressure. Built-in thermal overheating protection with automatic restart makes the motor operation secure and reliable. Permanently lubricated ball bearings inside the motor provide long (40000 hours) trouble- and maintenance-free operation.

Fans

- The ventilator is equipped with supply and exhaust centrifugal fans with backward inclined blades and built-in thermal overheating protection with automatic restart. The electric motors and the impellers are dynamically balanced in two planes.

Control

- The ventilator is equipped with 3-step switch on it's side panel to choose STANDBY, LOW or MEDIUM mode for continuous operation.
- The unit can be equipped with wide range of additional controls to switch boost on demand.

Mounting

- The unit can be mounted in most positions and in most spaces. Please refer to installation manual for instructions and details.

Warranty

- 5 year warranty

Casing

- Steel casing is covered with high-quality multilayer aluminium and zinc alloy to prevent corrosion. The casing is equipped with a safety switch to turn the ventilator off when the service panel is opened.

Filter

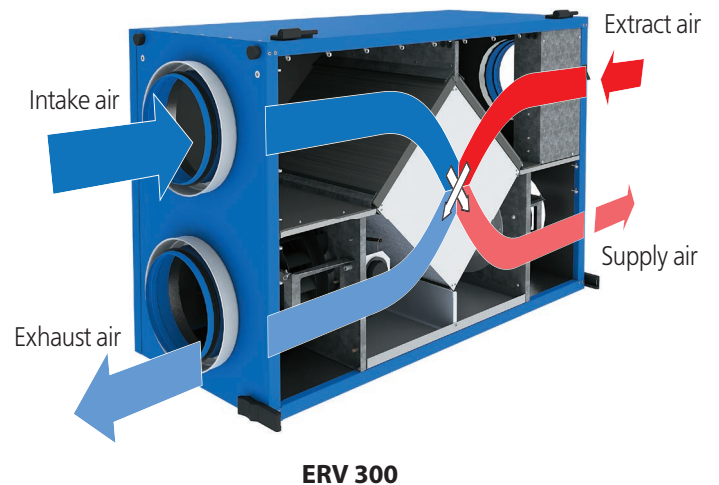
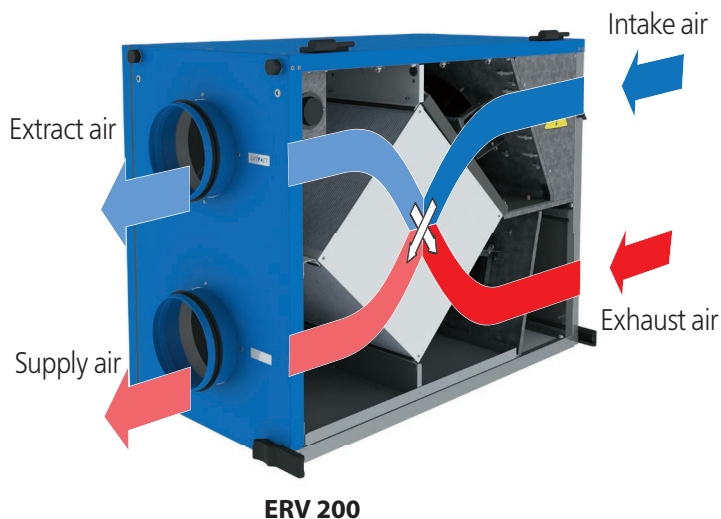
- Washable MERV 6 air filters in exhaust and supply air streams.
- Optional supply: anti grease aluminum filter.

Energy recovery core

- Specially designed polymer enthalpic core provides energy recovery.

Defrost system

- To protect the energy recovery core, the electronic freezing protection system is applied. It switches the supply fan off as the temperature sensor requires. Warm extract air defrosts the heat recovery core, then the supply fan switches on and the ventilator continues operating under rated conditions.



2017/10

Tel: 888-640-0925
513-348-3853
Fax: 513-268-4597

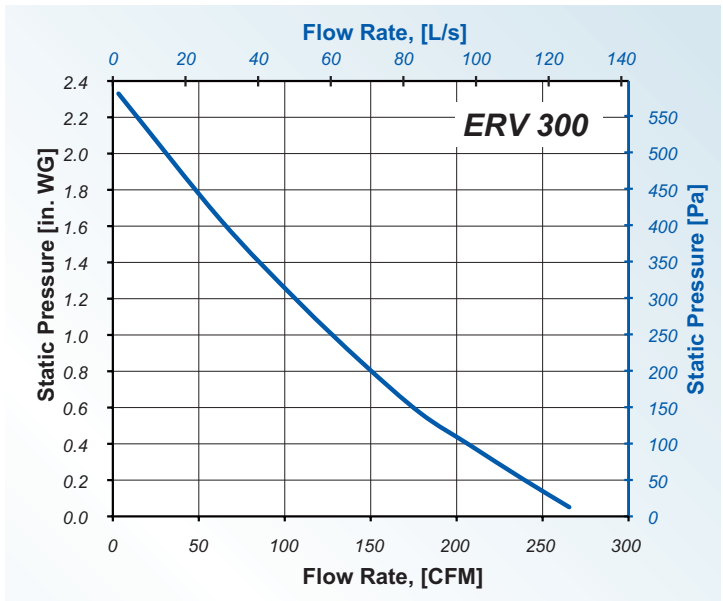
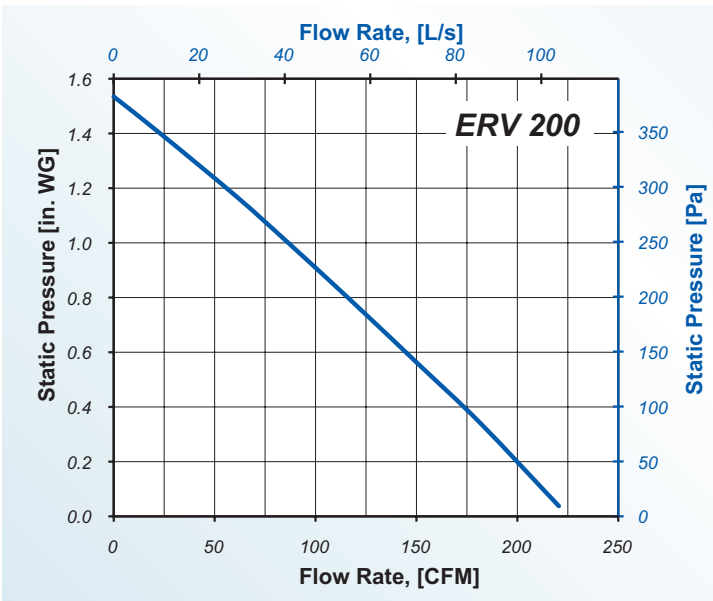
Sales@ventsus.com
VentsUS.com
11013 Kenwood Road,
Cincinnati, Ohio 45242



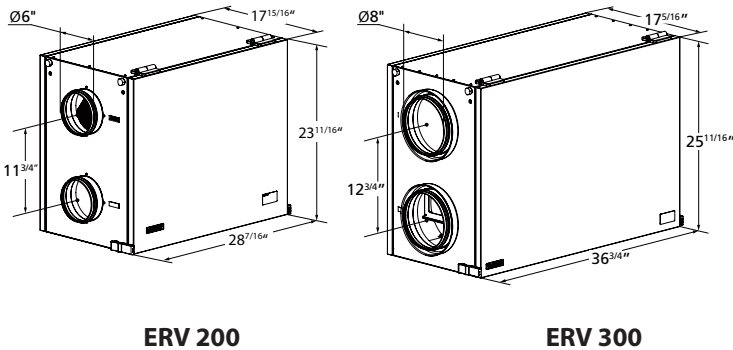
Performance

Model	Volts	Max. Amps	Net Supply Air Flow CFM (L/s)												Duct Dia.
			Ext. Static Pressure in. wg (Pa)												
			0,1" (25Pa)	0,2" (50Pa)	0,3" (75Pa)	0,4" (100Pa)	0,5" (125Pa)	0,6" (150Pa)	0,7" (175Pa)	0,8" (200Pa)	0,9" (225Pa)	1,0" (250Pa)	1,2" (275Pa)	1,4" (300Pa)	
ERV 200	120V, 60Hz	1.8	213 (101)	200 (94)	187 (88)	173 (82)	159 (75)	145 (68)	130 (61)	117 (55)	101 (48)	87 (41)	71 (34)	56 (26)	6"
ERV 300	120V, 60Hz	3.8	257 (121)	239 (113)	223 (105)	207 (98)	190 (90)	175 (83)	162 (76)	151 (71)	139 (66)	129 (61)	118 (56)	107 (50)	8"

Model	Mode	Temperature		Net Air Flow		Power Consumed	Sensible Recovery Efficiency
		°C	°F	(L/s)	(cfm)	(Watts)	SRE (%)
ERV 200	HEATING	0	32	30	64	208	79
		0	32	45	95	210	76
		0	32	60	127	212	73
ERV 300	HEATING	0	32	41	87	444	77
		0	32	66	141	446	73
		0	32	100	213	447	71



Dimensions



Accessories

