

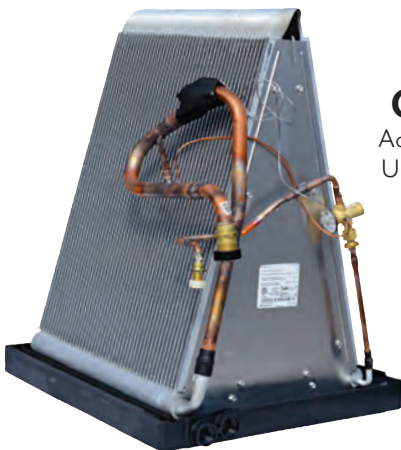


Indoor Comfort Products Brought to You  
by the Manufactured Home Experts!

## Micro-Channel Manufactured Housing Indoor Coils



**C8DA**  
Sweat Fit  
Uncased Coil



**C8QA**  
AccuCharge®  
Uncased Coil



**C7BH**  
Sweat Fit  
Cased Coil

**Evolving Government Standards** make it more difficult than ever to find the right AHRI match that will fit manufactured-home furnaces.

**Traditional HUD and Modular Footprints** to fit all types of manufactured housing furnaces and coil cavities; C8 coils fit the industry standard 20"W x 24"D HUD furnaces, while C7 coils are available in 4 different footprints for modular furnaces – also commonly used in site-built homes.

**Micro-Channel Systems Reduce Cost** by utilizing fully aluminum coils and less system refrigerant charge, as compared to traditional Tube-in-Fin coils with a large amount of expensive copper.

**Revolv Condenser AHRI-Matched Ratings** with C8 (Sweat Fit/Quick Connect) or C7 (Sweat Fit) A-coils, for air conditioning and heat pump applications, which can be found in the AHRI Certified Products Directory.

**Pre-installed TXV, UL® Listed, and Leak Tested** to 500psi; with a code-approved 2-opening, dry-type drain pan that does not maintain standing water.

**Dependable Warranty and Support**, handled directly by Style Crest's dedicated HVAC Team, offering the most competitive warranty coverage and service in the Manufactured Housing Industry.



Coil  
Accessory  
Kit

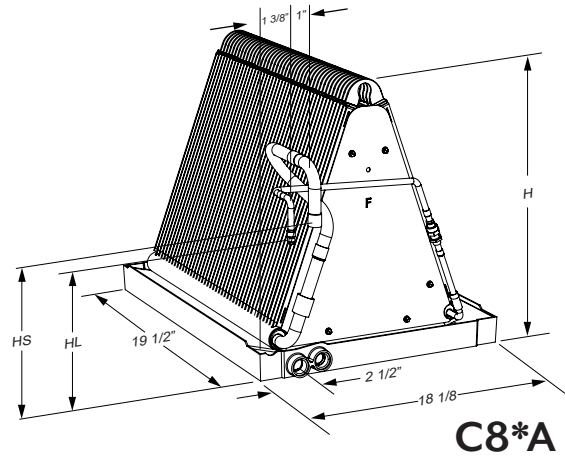
# Micro-Channel Manufactured Housing Indoor Coils

## C8D Sweat Fit Coils

Style Crest Item #	H
C8DAMX24U-B	18"
C8DAMX30U-B	18"
C8DAMX36U-B	18"
C8DAMX42U-B	25"
C8DAMX49U-B	29"
C8DAM01830U-B	18"
C8DAM036U-B	18"

## C8Q AccuCharge® Coils

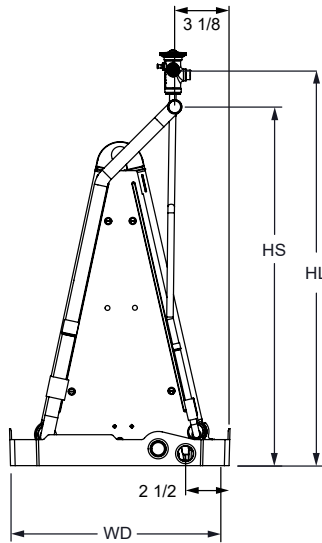
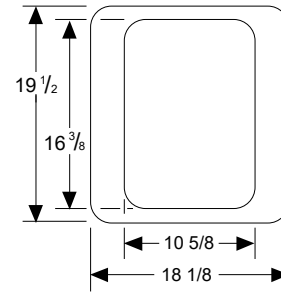
Style Crest Item #	H
C8QAMX24U-B	18"
C8QAMX30U-B	18"
C8QAMX36U-B	18"
C8QAMX42U-B	25"
C8QAMX49U-B	29"
C8QAM024U-B	18"
C8QAM030U-B	18"
C8QAM036U-B	18"



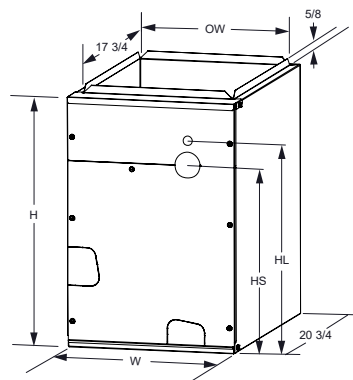
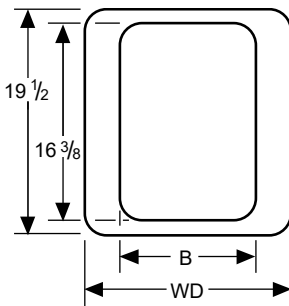
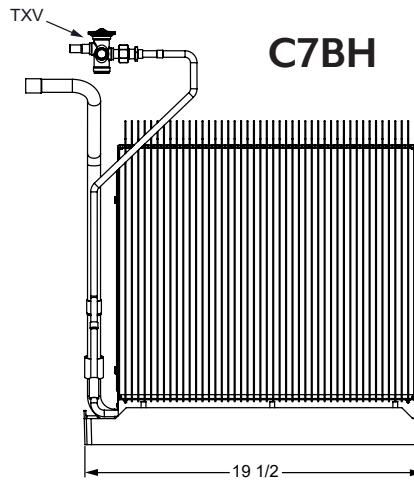
**C8\*A**

## Charted C7BH Dimensions

Casing # <sup>1</sup>	Cabinet	W	H	OW	HL	HS	B	WD
920256	A	14 1/4"	20 3/4"	12 7/8"	17 1/2"	15 1/2"	6 5/8"	12 3/4"
920258	B	17 1/2"	20 3/4"	16 1/8"	17 1/2"	15 1/2"	9 7/8"	16"
920259	B	17 1/2"	26 3/4"	16 1/8"	23 1/2"	21 1/2"	9 7/8"	16"
920260	C	21"	26 3/4"	19 5/8"	23 1/2"	21 1/2"	12 3/8"	19 1/2"
920261	C	21"	30 1/4"	19 5/8"	27"	25"	12 3/8"	19 1/2"
920262	D	24 1/2"	30 1/4"	23 1/8"	27"	25"	16 7/8"	23"



**C7BH**



## C7 Sweat Fit Cased Coils

Model #	Casing # <sup>1</sup>
C7BHMx24C-A	920256
C7BHMx30C-A	920256
C7BHMx24C-B	920258
C7BHMx30C-B	920259
C7BHMx36C-B	920259
C7BHMx42C-B	920259
C7BHMx30C-C	920260
C7BHMx36C-C	920260
C7BHMx42C-C	920260
C7BHMx48C-C	920261
C7BHMx60C-C	920261
C7BHMx48C-D	920262
C7BHMx60C-D	920262

Consult the AHRI Certified Products Directory for applicable Revolv condenser matches.  
 1) This is for OEM replacement purposes only, as the casing is included with all C7BH coil models.