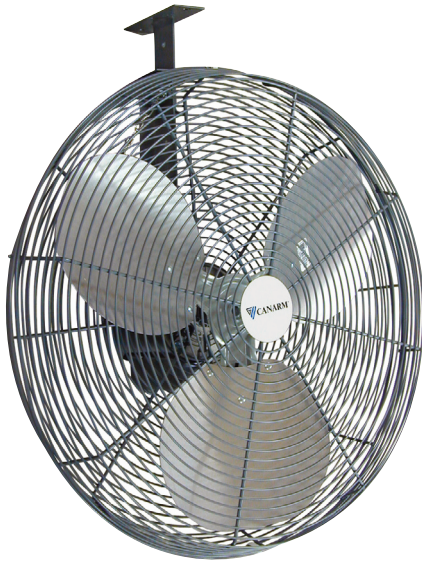


HIGH PERFORMANCE • OSHA GUARDS • CORROSION RESISTANT

IDEAL FOR ALL AGRICULTURAL APPLICATIONS

FEATURES



- Single or variable speed (EC models), totally enclosed, sealed ball bearing, thermally protected, high efficiency, dual voltage, 115/230V.
- High volume, corrosion resistant blades.
- Polyester powder coated, steel wire guard to OSHA specifications.
- Galvanized Steel adjustable three way mount. Mount to wall, ceiling or overhead joist. Fan can pivot down and swivel left and right for pin-point control of air stream.
- Fan head comes pre-assembled to guarantee fan blade is in proper location on motor shaft for max performance and safety within the guard.
- Can operate with Canarm's manual or automatic thermostatic controls (sold separately)
- The fans should move air from the inlets towards the exhaust fans and into all areas to remove dead air pockets. The airstream should be directed across the back of the head and shoulders of the animals.
- Suitable for buildings with low ceilings.

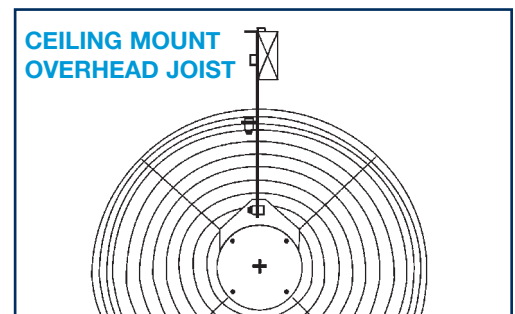
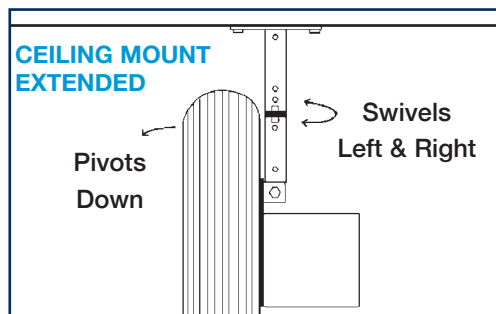
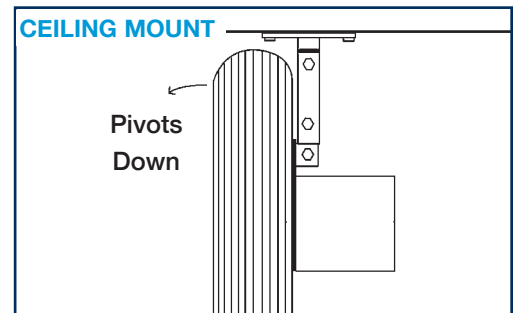
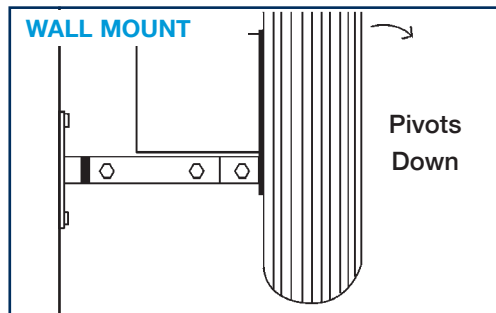
*Velocity mapping chart on back.

NOW AVAILABLE WITH EC MOTORS  **for energy savings**

PERFORMANCE DATA & SPECIFICATIONS

Model Number	Size	H.P.	RPM/Speed	CFM	Voltage	Amps	Weight (lbs.)
CA20AG-FVD	20"	1/3	1625/Single Speed	6,500	115/230V	4.2/2.1	37
CA24AG-GV11	24"	1/2	1100/Single Speed	8,500	115/230V	6.4/3.2	44
CA30AG-GV11	30"	1/2	1100/Single Speed	11,000	115/230V	6.4/3.2	50
CA20AG-EC	20"	1/3	Variable	6,500	120/208/280	2/.1	36
CA24AG-EC	24"	1/2	Variable	8,500	120/208/280	2.2/.1	43
CA30AG-EC	30"	1/2	Variable	11,000	120/208/280	2.2/.1	49

MOUNTING OPTIONS



CANARM LTD. - Corporate Office
PO Box 367 2157 Parkedale Ave.,
Brockville, ON
Canada K6V 5V6
Tel: (613) 342-5424 Fax: 1-800-263-4598

Arthur Manufacturing Facility
#7686 Concession 16, RR 4
Arthur, ON
Canada N0G 1A0
Tel: (519) 848-3910 Fax: (519) 848-3948

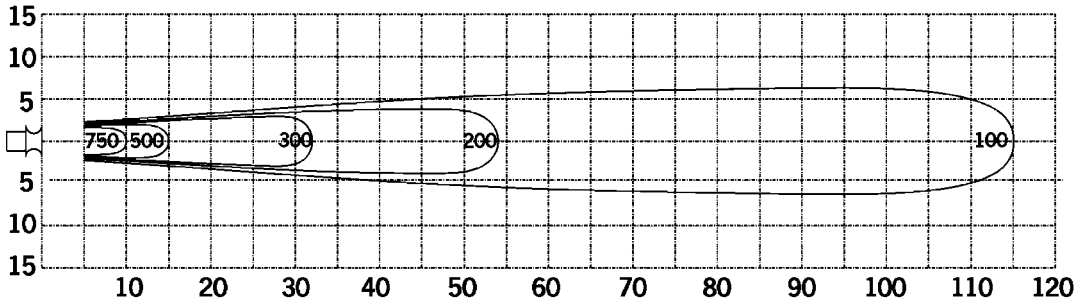
Montréal Warehouse
2555 Rue Bernard Lefebvre
Laval, QC
Canada H7C 0A5
Tel: (450) 655-2535 Fax: (450) 665-0910

CANARM LTD. - USA Warehouse
808 Commerce Park Drive
Ogdensburg, New York,
USA 13669
Tel: 1-800-267-4427 Fax: 1-800-263-4598

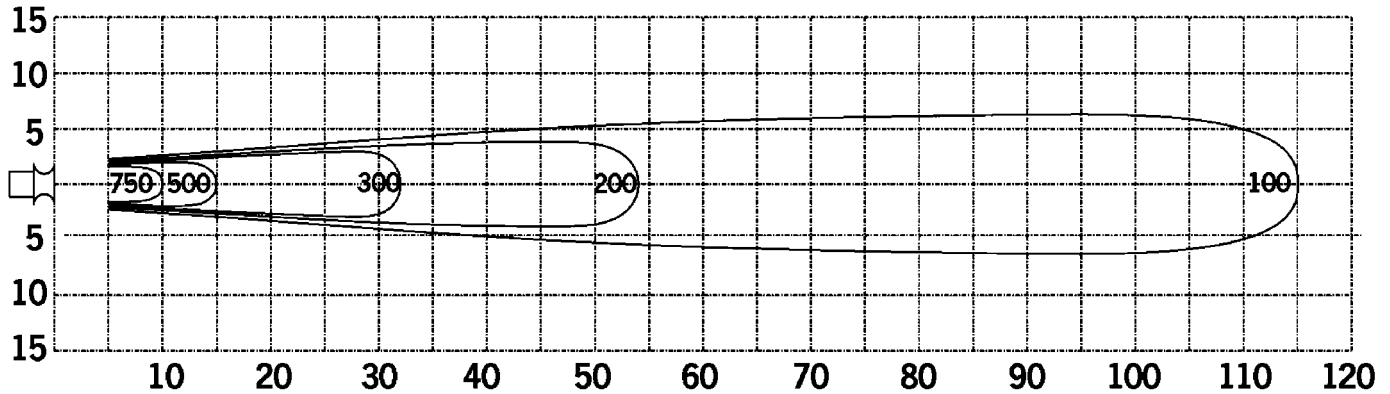
VELOCITY MAPPING CHARTS

These charts indicate the air distribution pattern. They are graphic illustrations of air velocity in feet per minute.

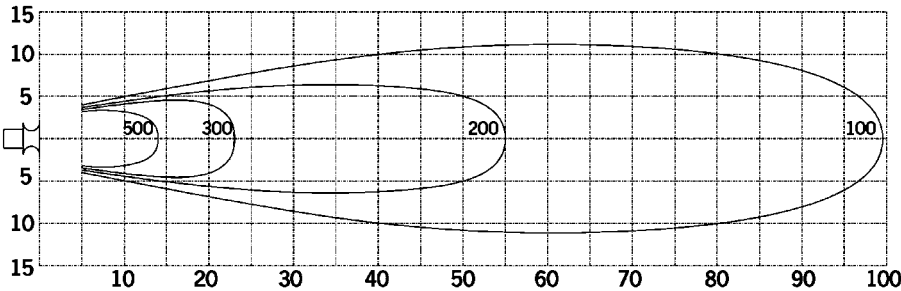
CA20AG-FVD



MODEL: CA20AG-EC



CA24AG-GV11



CA30AG-GV11

