



**SUBMITTAL DATA SHEET**

<b>Wall Mounted Heat Pump System</b>	
Location: _____	Approval: _____
Engineer: _____	Date: _____
Submitted to: _____	Construction: _____
Submitted by: _____	Unit #: _____
Reference: _____	Drawing #: _____

<b>Set Code</b>	22022010018150
Indoor unit code	22022011017683
Outdoor unit code	22022016017421
<b>Set Model</b>	
Indoor unit model	EZ-18W-HP230
Outdoor unit model	EZ-18Z-HP230
<b>Certified</b>	
AHRI	
UL	



**SYSTEM PERFORMANCE DATA**

<b>Power supply</b>		
Normal Operational Voltage	(V, Ph, Hz)	208/230V, 1Ph, 60Hz
Voltage Range	(V)	187-253
<b>Electrical</b>		
Minimum circuit ampacity(Outdoor)	(A)	15.5
Max.fuse(Outdoor)	(A)	25
Connection wiring		14#x4//
<b>Cooling</b>		
Capacity	(Btu/h)	17000(5800~19000)
Power Input	(W)	1730(235~1570)
Current	(A)	7.6(1.68~6.92)
SEER2	(Btu/W)	19.3
EER2	(Btu/W)	9.8
<b>Heating</b>		
Capacity	(Btu/h)	18000(4740~18900)
Power Input	(W)	1700(310~1700)
Current	(A)	7.45(2.29~7.46)
HSPF2-4	(Btu/W)	8.6
HSPF2-5	(Btu/W)	6.7
COP	W/W	3.10
Heat at 17F(H32)	(Btu/h)	11300
Heat at 5F(H42)	(Btu/h)	10200
COP at 5F(H42)	W/W	1.93

**REFRIGERANT PIPE DATA**

Throttle type	Indoor unit	N/A
	Outdoor unit	Capillary
Design pressure	(PSIG)	550/340
Refrigerant Type		R410A
Refrigerant charge	oz	49.03
	(ft)	25.0
Refrigerant precharge	(m)	7.5
Additional charge for each ft	(oz/ft)	0.16
Additional charge for each m	(g/m)	15
Liquid side/ Gas side(indoor)	(inch)	1/4"/1/2"
	(mm)	6.35/12.7
Liquid side/ Gas side(outdoor)	(inch)	1/4"/1/2"
	(mm)	6.35/12.7
Max. pipe length	(ft)	98.42
	(m)	30
Max. difference in level	(ft)	65.62
	(m)	20
Connection method		Flared
Indoor(cooling)	(Deg. °F)	60~90
	(Deg. °C)	16~32
Indoor(heating)	(Deg. °F)	32~86
	(Deg. °C)	0~30
Outdoor(cooling)	(Deg. °F)	5~122
	(Deg. °C)	-15~50
Outdoor(heating)	(Deg. °F)	5~75
	(Deg. °C)	-15~24

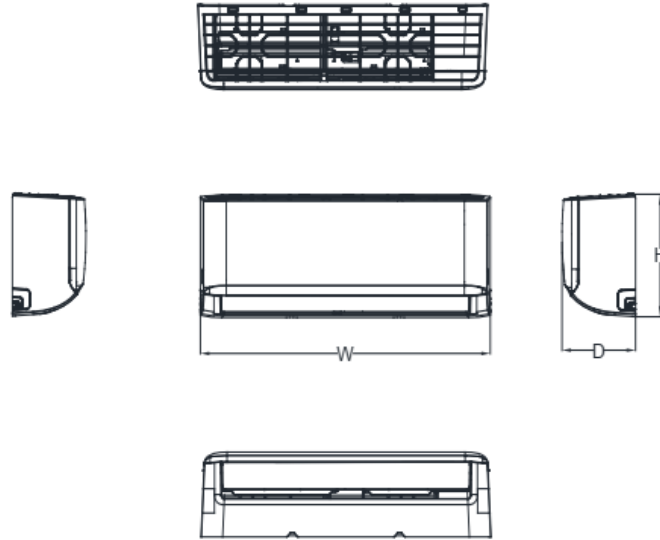
**INDOOR UNIT DATA**

<b>Indoor fan motor</b>		
Model		ZKFP-30-8-3-10
Qty		1
Input	(W)	36
Output	(W)	30.0
RLA	(A)	0.29
Speed(Hi/Mi/Lo)	(r/min)	1200/1000/900
<b>Air flow &amp; Noise level</b>		
Indoor air flow (Hi/Med/Lo) (No duct)	(CFM)	500.00/382.35/300.00/264.71
Indoor noise level (Hi/Med/Lo)	[dB(A)]	44.5/39/23.5
<b>Dehumidification</b>	(L/H)	2.2
<b>Indoor unit</b>		
Dimension (WxDxH)	(inch)	38.23x8.98x12.64
	(mm)	971x228x321
Packing(WxDxH)	(inch)	42.72x17.52x14.96
	(mm)	1085x445x380
Net/Gross weight	(lbs.)	29.98/42.33
	(kg)	13.6/19.2

**OUTDOOR UNIT DATA**

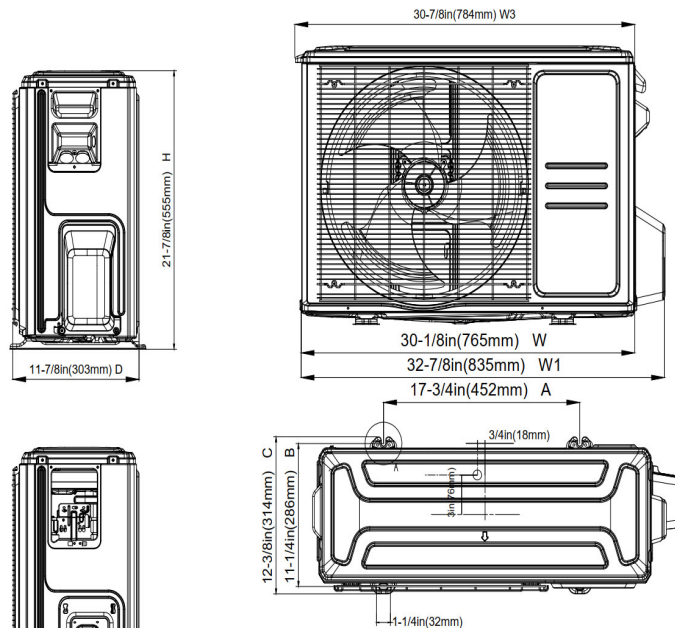
<b>Compressor</b>		
Type		ROTARY
Model		KSN140D21UFZ
Brand		GMCC
Capacity	(W)	4385
Input	(W)	1140
Rated current (RLA)	(A)	10
Refrigerant oil/oil charge	(ml)	VG744 440
<b>Outdoor fan motor</b>		
Model		ZKFN-34-10-1-3
Qty		1
Input	(W)	/
Output	(W)	34
RLA	(A)	0.37
Speed	(r/min)	1200/700
<b>Air flow &amp; Noise level</b>		
Outdoor air flow (Max.)	(CFM)	1235.29
Outdoor noise level	[dB(A)]	54
<b>Outdoor unit</b>		
Dimension (WxDxH)	(inch)	30.12x11.93x21.85
	(mm)	765x303x555
Packing (WxDxH)	(inch)	34.92x13.27x24.02
	(mm)	887x337x610
Net/ Gross weight	(lbs.)	63.49/68.56
	(kg)	28.8/31.1

Indoor unit dimension



Capacity	Body Code	W(mm/inch)	D(mm/inch)	H(mm/inch)
6K~11K	A	729/28.7	200/7.87	292/11.5
8K~14K	B	802/31.57	200/7.87	295/11.61
12K~21K	C	971/38.23	228/8.98	321/12.64
18K~28K	D	1082/42.6	234/9.21	337/13.27
27K~36K	F	1259/49.57	283/11.14	362/14.25

Outdoor unit dimension



DETAIL A  
SCALE 1:2

