





SUBMITTAL DATA SHEET

Multi Zone Heat Pump	
Location: _____ Engineer: _____ Submitted to: _____ Submitted by: _____ Reference: _____	Approval: _____ Date: _____ Construction: _____ Unit #: _____ Drawing #: _____

<b>Set Code</b>	22022310002846
Indoor unit code	22022011017962
Outdoor unit code	22022316001685
<b>Set Model</b>	EZ-48Z-M5
Outdoor unit model	
<b>Certified</b>	AHRI  UL 



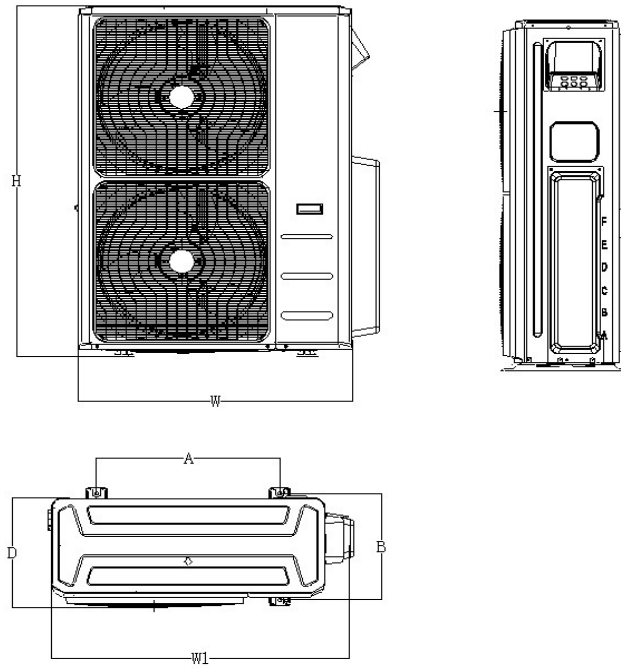
SYSTEM PERFORMANCE DATA			
<b>Power supply</b>			
Normal Operational Voltage	(V, Ph, Hz)	208/230V, 1Ph,	60Hz
Voltage Range	(V)		187-253
<b>Electrical</b>			
Minimum circuit ampacity	(A)		40
Max.fuse	(A)		60
Connection wiring		14AWG*4 Stranded, unshielded	
<b>Cooling</b>			
Capacity	(Btu/h)		48000(19500-49500)
Power Input	(W)		4364(1497-4989)
Current	(A)		19.36(6.85-22.13)
SEER2	(Btu/W)		20.5
EER2	(Btu/W)		11.0
<b>Heating</b>			
Capacity	(Btu/h)		48000(18300-48500)
Power Input	(W)		4174(1934-5233)
Current	(A)		18.51(8.85-23.22)
HSPF2-4	(Btu/W)		9.2
HSPF2-5	(Btu/W)		7.0
COP	W/W		3.37
Heat at 17F(H32)	(Btu/h)		34800
Heat at 5F(H42)	(Btu/h)		29800
COP at 5F(H42)	W/W		1.80

SYSTEM PERFORMANCE DATA		
Outdoor(cooling)	(Deg. °F)	5~122
	(Deg. °C)	-15~50
Outdoor(heating)	(Deg. °F)	(-13)~75.2
	(Deg. °C)	-25~24

REFRIGERANT PIPE DATA		
Design pressure	(PSIG)	550/340
Refrigerant Type		R410A
Refrigerant charge	oz	162.3
Refrigerant precharge	(ft)	#REF!
Additional charge for each ft (Φ6.35 (1/4") liquid pipe)	(oz/ft)	0.16
	(g/ft)	15.0
Additional charge for each ft (Φ9.52 (3/8") liquid pipe)	(oz/ft)	0.32
	(g/ft)	30.0
Liquid side	(inch)	5x1/4in
	(mm)	5x6.35mm
Gas side	(inch)	3x3/8in+2x1/2in
	(mm)	3x9.52mm+2x12.7mm
Max. length for all rooms	(ft)	221.45
	(m)	67.5
Max. length for one indoor unit	(ft)	73.82
	(m)	22.5
Max. height difference between indoor and outdoor unit	(ft)	32.81
	(m)	10
Max. height difference between indoor units	(ft)	33.0
	(m)	10.0

OUTDOOR UNIT DATA		
<b>Compressor</b>		
Type		ROTARY
Model		ATQ360D1UMU
Brand		GMCC
Capacity	(Btu/h)	38214
Input	(W)	3040
Rated current (RLA)	(A)	24
Refrigerant oil/oil charge	(ml)	VG74/1400
<b>Outdoor fan motor</b>		
Model		ZKFN-85-8-22-5
Qty		2
Input	(W)	126
Output	(W)	85.00
RLA	(A)	2.5
Speed	(r/min)	900/850/800/750
<b>Air flow &amp; Noise level</b>		
Outdoor air flow (Max.)	(CFM)	4500.00
Outdoor noise level	[dB(A)]	61.5
<b>Outdoor unit</b>		
Dimension (WxDxH)	(inch)	37.48x16.34x52.48
	(mm)	952x415x1333
Packing (WxDxH)	(inch)	43.11x19.49x58.27
	(mm)	1095x495x1480
Net/ Gross weight	(lbs.)	222.89/254.41
	(kg)	101.1/115.4

Outdoor unit dimension



Unit	W	D	H	W1	A	B
mm	952	415	1333	1060	634	404
inch	37.5	16.3	52.5	41.7	25.0	15.9