

BOULEVARD SL

This unique clean-burning fireplace features an elegant linear burner mounted between a matte-finished black full panel at the rear and a short tempered-glass deflector panel at the front. Aided by multiple reflections through the glass in front, the Boulevard SL creates high-definition contrast between the flames and the black panel. With its clean lines and muted black finish, the Boulevard SL represents the last word in contemporary styling.



Vent-Free Boulevard SL 10,000 BTUs fireplace shown fully-recessed, with narrow trim kit.

Designed to add drama and ambiance to any room, the vent-free Boulevard SL can serve as an effective zone heater when needed. Rated at 14,000 BTUs for Natural Gas and 12,000 BTUs for Propane, the Boulevard SL easily maintains a comfortable temperature for up to 417 square feet. This vent-free system is equipped with a state-of-art safety pilot burner to turn off gas to the system if the flame is extinguished, plus an Oxygen Depletion Sensor to continuously monitor CO₂ levels. A fine mesh screen across the front protects against accidentally touching the flames. The 10,000 BTUs version is ideal for bedrooms (where allowed by code).

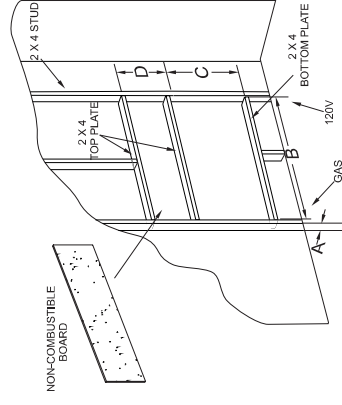
FRAMING DIMENSIONS

	VFSL30FP – Partially Recessed	VFSL30FP – Fully Recessed
A	3 1/2	5 1/2
B	30 3/4	30 3/4
C	18	29 1/2
D	14	14

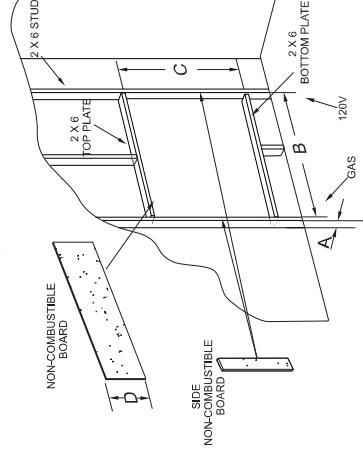
Measurements given in inches.

*Dimensions may vary based on install. See manual.

Partially Recessed



Fully Recessed



WARRANTY: All vent-free products carry a five-year limited warranty with a five-year limited labor warranty. All remote controls and lighting systems carry a one-year limited warranty.

Empire is committed to continuous product improvement; specifications are subject to change without notice. Dimensions in this brochure are approximate; read and follow the framing dimensions in the owners manual supplied with your Empire product.

Refer to your Owner's Manual for complete installation and safety information.

Authorized Dealer:

Member of the following industry associations:



This appliance is design-certified to the ANSI standard by:



Boulevard^{SL}

VENT-FREE LINEN FIREPLACE



Vent-Free Boulevard SL shown installed partially in-wall with Mitered Decorative Front

VERSATILE INSTALLATION

Recessed Installation

At just 5 1/2 inches deep the Boulevard SL is the first vent-free fireplace that can install fully in a 2 x 6 stud-framed wall. Add tile right up to the rectangular opening to create a stunningly beautiful, amazingly efficient clean-face fireplace. The optional trim kit finishes the opening and adjusts for different depths of tile or stone. Recessed installation requires installing the included non-combustible material above and to the sides of the fireplace, and tile or stone to the fireplace opening. The optional trim kit hides tile edges, and adjusts from 1/2 to 1 inch.

