

Inverter Driven Heat Pump

24,000 BTU Single Zone Wall Mounted System

Job Name _____
 Location _____
 Engineer _____
 Submitted To _____
 Submitted By _____
 Reference _____

Date _____
 Approval _____
 Construction _____
 Unit No _____
 Drawing No _____

PRODUCT FEATURES

- Auto Changeover
- Weekly & 24 hr. Timer
- Auto Louver
- Minimum Heat Mode
- Auto Restart
- Economy Mode
- Energy Saving Program (ESP)
- Wireless Remote control
- Outdoor Unit Low Noise Schedule



MODEL NUMBERS

Indoor Unit	ASUH24LPAS
Outdoor Unit	AOUH24LPAS1
System	24LPAS1

EFFICIENCIES

SEER	19	
EER	9.2	
HSPF	11	
COP	kW/kW	3.40
	BTU/hW	11.60

OUTDOOR TEMPERATURE OPERATION RANGE

Cooling	°F(°C)	14 to 115 (-10 to 46)
Heating		5 to 75 (-15 to 24)

CAPACITIES

Cooling	Rated	BTU/hW	24,000
	Min.-Max.		4,000 - 24,400
Heating	Rated		24,000
	Min.-Max.		2,900 - 29,000

LINESET REQUIREMENTS

Connection Method	Flare	
Liquid	in (mm)	Ø 1/4 (Ø 6.35)
Gas		Ø 1/2 (Ø 12.7)
Pre-Charge Length	ft (m)	49 (15)
Minimum Length		16 (5)
Maximum Length		66 (20)
Max. Height Diff.		49 (15)

INDOOR DIMENSIONS & WEIGHT

Net (H x W x D)	in	11 x 38-9/16 x 9-7/16
	mm	280 x 980 x 240
Gross (H x W x D)	in	12-11/16 x 42-7/16 x 13-5/8
	mm	322 x 1,078 x 346
Net Weight	lb (kg)	29 (13)
Gross Weight		37 (17)

OUTDOOR DIMENSIONS & WEIGHT

Net (H x W x D)	in	24-7/8 x 31-7/16 x 11-7/16
	mm	632 x 799 x 290
Gross (H x W x D)	in	27-1/4 x 37 x 14-3/4
	mm	692 x 940 x 375
Net Weight	lb (kg)	86 (39)
Gross Weight		95 (43)



Indoor Unit ETL#: 91987
 Outdoor Unit ETL#: 91987

Effective Date: 7/28/2021

Warranty Information



7 Year Compressor, 5 Year Parts out-of-the-box Warranty



10 Year Compressor, 10 Year Parts Warranty when registered within 60 days of installation in a residence



12 Year Compressor, 12 Year Parts Warranty when registered within 60 days of installation in a residence, and installed by a Fujitsu Elite contractor

ACCESSORIES

UTY-RNRUZ5	Wired Remote Controller (Touch Panel)
UTY-RSRY	Simple Remote Control
UTY-RHRY	Simple Remote Control (Hospitality)
UTY-XWZXZ5	Dry Contact Wire Kit
UTY-TTRX	3rd Party Thermostat Converter
UTY-TWRXZ2	Interface Kit
UTY-TFSXF1	WIFI Module



This system combination is Energy Star qualified



+App available in Apple® App Store and Google® Play Store.

Due to continuous product improvements, specifications are subject to change without notice. Please log in to the Fujitsu Portal for the most up-to-date documentation <https://portal.fujitsugeneral.com>

Inverter Driven Heat Pump

24,000 BTU Single Zone Wall Mounted System

FAN DATA

Indoor Unit Airflow Rate	Cooling	High	CFM (m3/h)	642 (1,090)
		Medium		471 (800)
		Low		377 (640)
		Quiet		306 (520)
	Heating	High		594 (1,010)
		Medium		506 (860)
		Low		377 (640)
		Quiet		306 (520)
Outdoor Unit Airflow Rate	Cooling		1,560 (2,650)	
	Heating		1,560 (2,650)	

SOUND PRESSURE

Indoor Unit	Cooling	High	dB (A)	49
		Medium		42
		Low		37
		Quiet		31
	Heating	High		47
		Medium		43
		Low		37
		Quiet		32
Outdoor Unit	Cooling		53	
	Heating		54	

REFRIGERANT

Type	R410A		
Charge	lb oz	2 lb 16 oz	
	kg	1,350	
Oil Type	RB68		

ELECTRICAL SPECIFICATIONS

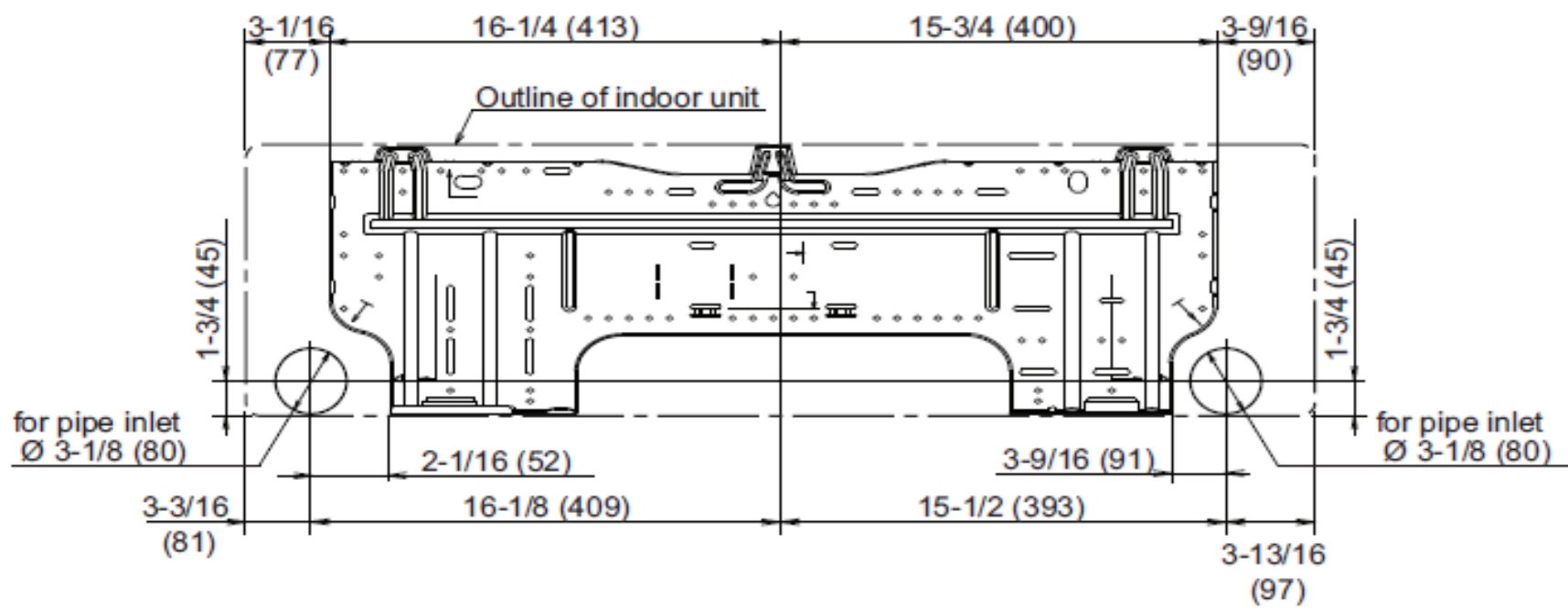
Voltage/Frequency/Phase		208/230 V / 1Ø / 60Hz	
Voltage Range		187-253V~60HZ	
Current	Cooling	Rated	11.4
	Heating	Rated	9.1
Maximum Operating Current	Cooling	A	14.4
	Heating	A	13.9
Starting Current			17.2
MCA			17.2
Maximum Circuit Breaker			20
Input Power	Cooling	Rated Min.-Max.	2.6
	Heating	Rated Min.-Max.	0.15 - 3.20
Power Factor	Cooling	%	2.07
	Heating	%	0.15-3.10
Cooling			99.2
Heating			98.9

OTHER

Moisture Removal	pints/h (L/h)	6.3 (3.0)	
Energy Star		Yes	
Drain hose	Material	PP+HDPE	
Size	in (mm)	Ø17/32 (Ø 13.8) (I.D.), Ø5/8 to 21/32 (Ø 15.8 to 16.7) (O.D.)	
Operation Range	Cooling	°F (°C)	64 to 90 (18 to 32)
		%RH	80 or less
Heating	°F (°C)	86 or less (30 or less)	

Wall Bracket Data:

Units: In. (mm)



The Fujitsu logo is a worldwide trademark of Fujitsu General Limited. The Halcyon logo and name is a worldwide trademark of Fujitsu General Limited and is a registered trademark in Japan, the USA and other countries or areas. Copyright 2018 Fujitsu General America, Inc. Fujitsu's products are subject to continuous improvements. Fujitsu reserves the right to modify product design, specifications and information in this brochure without notice and without incurring any obligations.

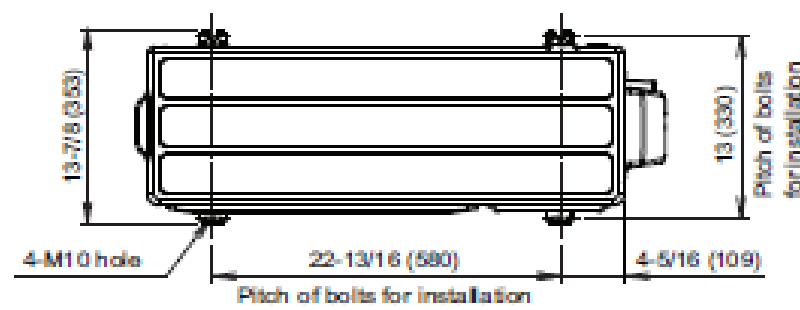
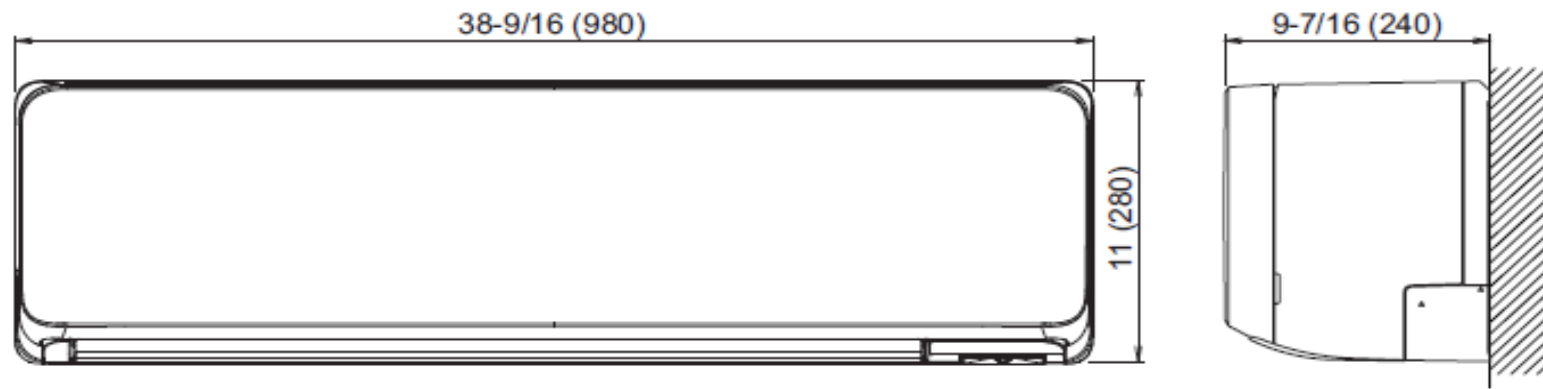
Note: Specifications are based on the following conditions:
 Cooling: Indoor temperature of 80°F (26.7°C) DB/67°F (19.4°C) WB, and outdoor temperature of 95°F (35°C) DB/75°F (23.9°C) WB. Heating: Indoor temperature of 70°F (21.1°C) DB/60°F (15.6°C) WB, and outdoor temperature of 47°F (8.3°C) DB/43°F (6.1°C) WB. Pipe length: 25ft. (7.5m), Height difference: 0ft. (0m) (Outdoor unit - indoor unit).

Inverter Driven Heat Pump

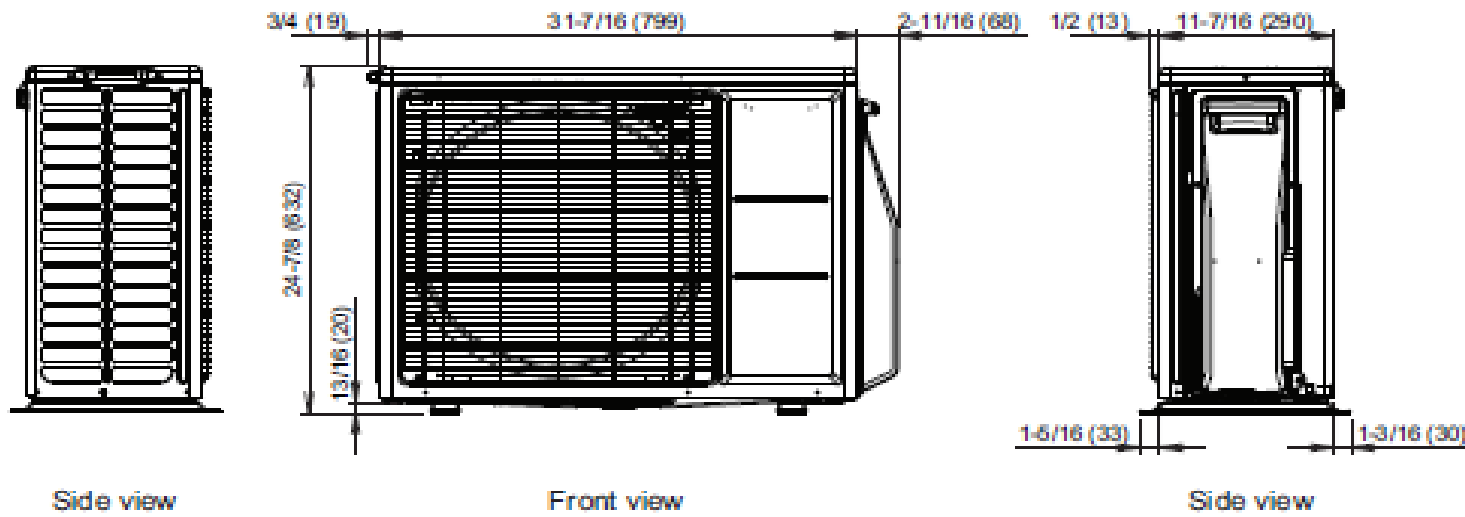
24,000 BTU Single Zone Wall Mounted System

DIMENSIONS

Units: In. (mm)



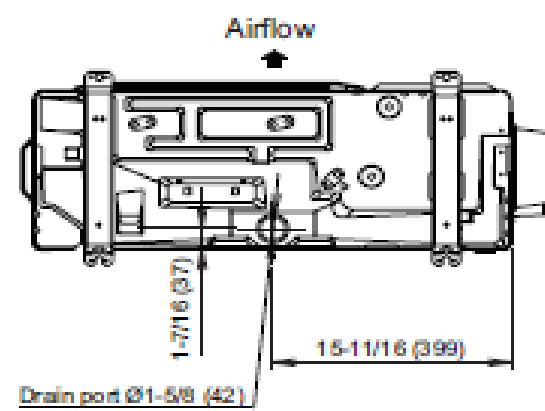
Top view



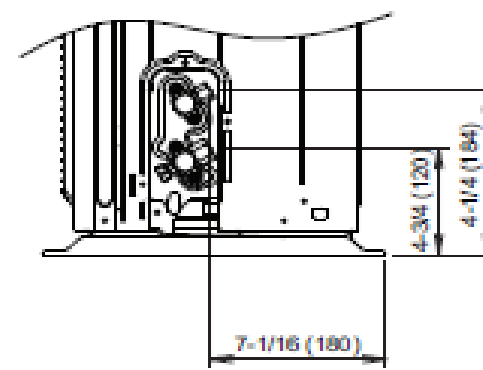
Side view

Front view

Side view



Bottom view



Side view (Valve part)

The Fujitsu logo is a worldwide trademark of Fujitsu General Limited. The Halcyon logo and name is a worldwide trademark of Fujitsu General Limited and is a registered trademark in Japan, the USA and other countries or areas. Copyright 2018 Fujitsu General America, Inc. Fujitsu's products are subject to continuous improvements. Fujitsu reserves the right to modify product design, specifications and information in this brochure without notice and without incurring any obligations.

Note: Specifications are based on the following conditions:
 Cooling: Indoor temperature of 80°F (26.7°C) DB/67°F (19.4°C) WB, and outdoor temperature of 95°F (35°C) DB/75°F (23.9°C) WB. Heating: Indoor temperature of 70°F (21.1°C) DB/60°F (15.6°C) WB, and outdoor temperature of 47°F (8.3°C) DB/43°F (6.1°C) WB. Pipe length: 25ft. (7.5m), Height difference: 0ft. (0m) (Outdoor unit - indoor unit).