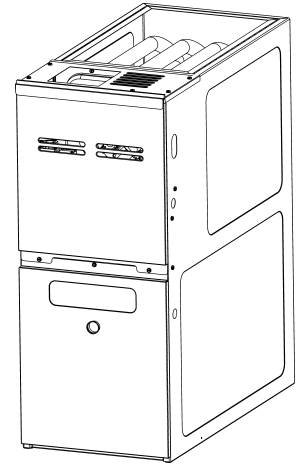


GM9S 80% FER Counter/Up Flow Furnace

GM9S800403ANAA
GM9S800403AXAA
GM9S800603ANAA
GM9S800603AXAA
GM9S800603BNAA
GM9S800603BXAA
GM9S800604BNAA
GM9S800604BXAA
GM9S800803BNAA
GM9S800803BXAA
GM9S800804BNAA
GM9S800804BXAA
GM9S800804CNAA
GM9S800804CXAA
GM9S800805CNAA
GM9S800805CXAA
GM9S801005CNAA
GM9S801005CXAA
GM9S801205DNAA



This manual is to be used by qualified technicians only.

© 2021 Goodman Manufacturing Company, L.P. ♦ 5151 San Felipe St, Suite 500 ♦ Houston, TX 77056

Important Information

Index

Functional Parts List	3
Illustration and Parts	4 - 9

Views shown are for parts illustrations only, not servicing procedures.

Text Codes:

AR - As Required

NA - Not Available

NS - Not Shown

00000000 - See Note

QTY - Quantity Example (QTY 3) (If Quantity not shown, Quantity = 1)

M - Model Example (M1) (If M Code not shown, then part is used on all Models)

Expanded Model Nomenclature:

Example M1 - Model#1 M2 - Model#2 M3 - Model#3

Goodman Manufacturing Company, L.P. is not responsible for personal injury or property damage resulting from improper service. Review all service information before beginning repairs.

Warranty service must be performed by an authorized technician, using authorized factory parts. If service is required after the warranty expires, Goodman Manufacturing Company, L.P. also recommends contacting an authorized technician and using authorized factory parts.

Goodman Manufacturing Company, L.P. reserves the right to discontinue, or change at any time, specifications or designs without notice or without incurring obligations.

For assistance within the U.S.A. contact:
Homeowner Support
Goodman Manufacturing Company, L.P.
19001 Kermier Road
Waller, Texas 77484
877-254-4729-Telephone
713-863-2382-Facsimile

For assistance outside the U.S.A. contact:
International Division
Goodman Manufacturing Company, L.P.
19001 Kermier Road
Waller, Texas 77484
713-861-2500-Telephone
713-863-2382-Facsimile

Functional Parts

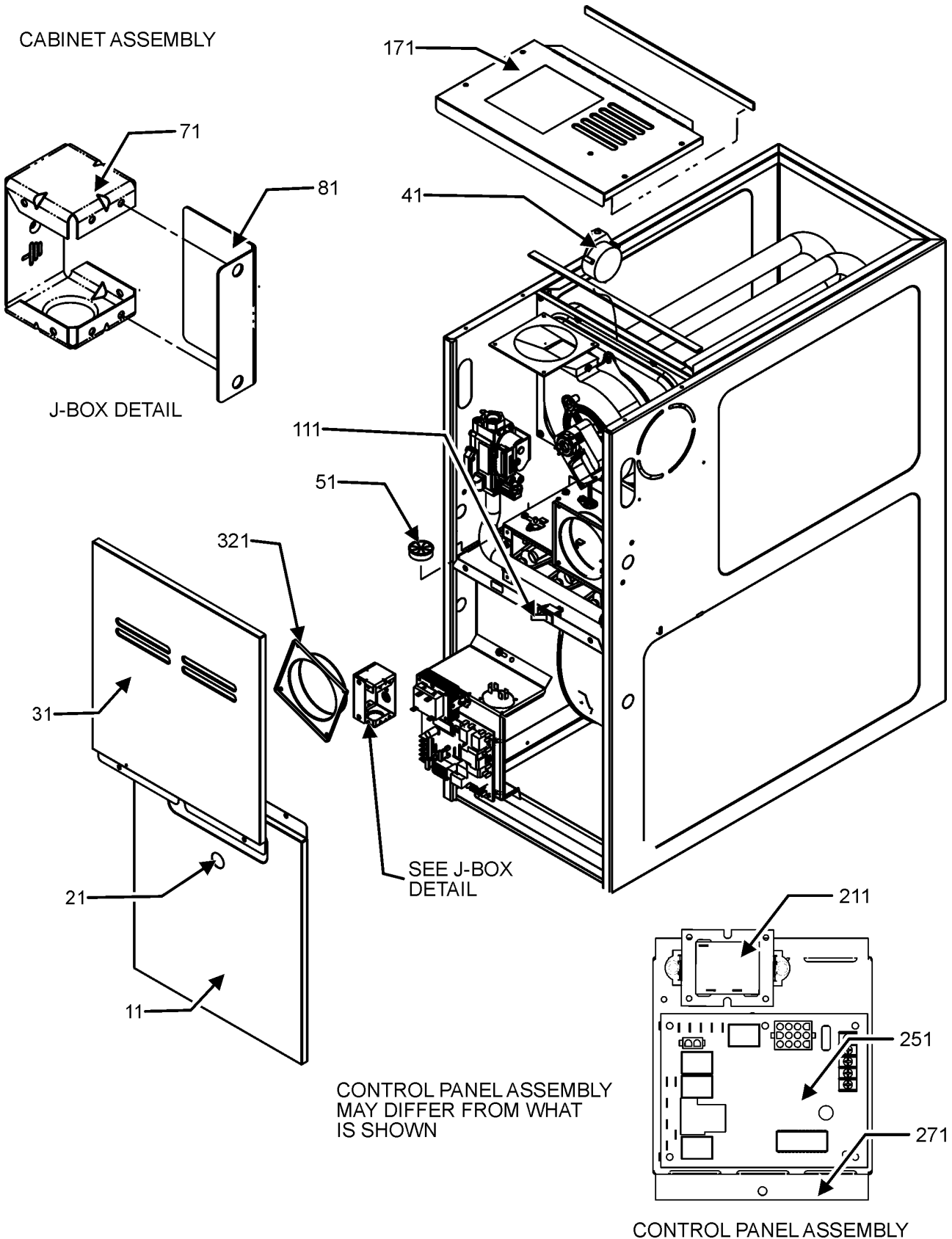
Part No: **Description:**

Part No:	Description:	Expanded Model Nomenclature
PCBBF163	CIRCUIT BOARD FURNACE	
0130F00010	FLAME SENSOR	M1 - GM9S800403ANAA
0151M00037	GAS VALVE	M2 - GM9S800403AXAA
10690402	INTERLOCK SWITCH	M3 - GM9S800603ANAA
20162903	LIMIT, PRIMARY (M13, M14, M15, M16, M19)	M4 - GM9S800603AXAA
20162901	LIMIT, PRIMARY (M1, M2)	M5 - GM9S800603BNAA
20162904	LIMIT, PRIMARY (M3, M4, M5, M6, M7, M8, M9, M10, M11, M12, M17, M18)	M6 - GM9S800603BXAA
0130F00038	LIMIT, PRIMARY 120 LT BLUE	M7 - GM9S800604BNAA
10123529	LIMIT-RESET MAN-GREEN (QTY 2)	M8 - GM9S800604BXAA
0131F00251	MOTOR PROGRAMMED (M11, M12)	M9 - GM9S800803BNAA
0131F00246	MOTOR PROGRAMMED (M1, M2)	M10 - GM9S800803BXAA
0131F00247	MOTOR PROGRAMMED (M3, M4)	M11 - GM9S800804BNAA
0131F00248	MOTOR PROGRAMMED (M5, M6)	M12 - GM9S800804BXAA
0131F00250	MOTOR PROGRAMMED (M9, M10)	M13 - GM9S800804CNAA
0131F00252	MOTOR PROGRAMMED (M13, M14)	M14 - GM9S800804CXAA
0131F00253	MOTOR PROGRAMMED (M15, M16)	M15 - GM9S800805CNAA
0131F00254	MOTOR PROGRAMMED (M17, M18)	M16 - GM9S800805CXAA
0131F00255	MOTOR PROGRAMMED (M19)	M17 - GM9S801005CNAA
0131F00249	MOTOR PROGRAMMED (M7, M8)	M18 - GM9S801005CXAA
0131M00002P	MOTOR, VENT 80+	M19 - GM9S801205DNAA
0130F00008	SINI IGNITOR	
0130F00505	SWITCH, PRESSURE (M1, M2, M9, M10, M11, M12, M17, M18)	
0130F00507	SWITCH, PRESSURE (M19)	
0130F00506	SWITCH, PRESSURE (M3, M4, M5, M6, M7, M8, M13, M14, M15, M16)	
0130M00140	TRANSFORMER,(120V TO 24V,40VA,	

SPECIAL PARTS

HI-130	HOMEOWNERS INSTRUCTIONS
IOG-2030	INSTALLATION INSTRUCTIONS
0161F00007	NAMEPLATE, GOODMAN
PWGFURNSUNT	PRODUCT WARRANTY

Cabinet and Control Panel Assembly

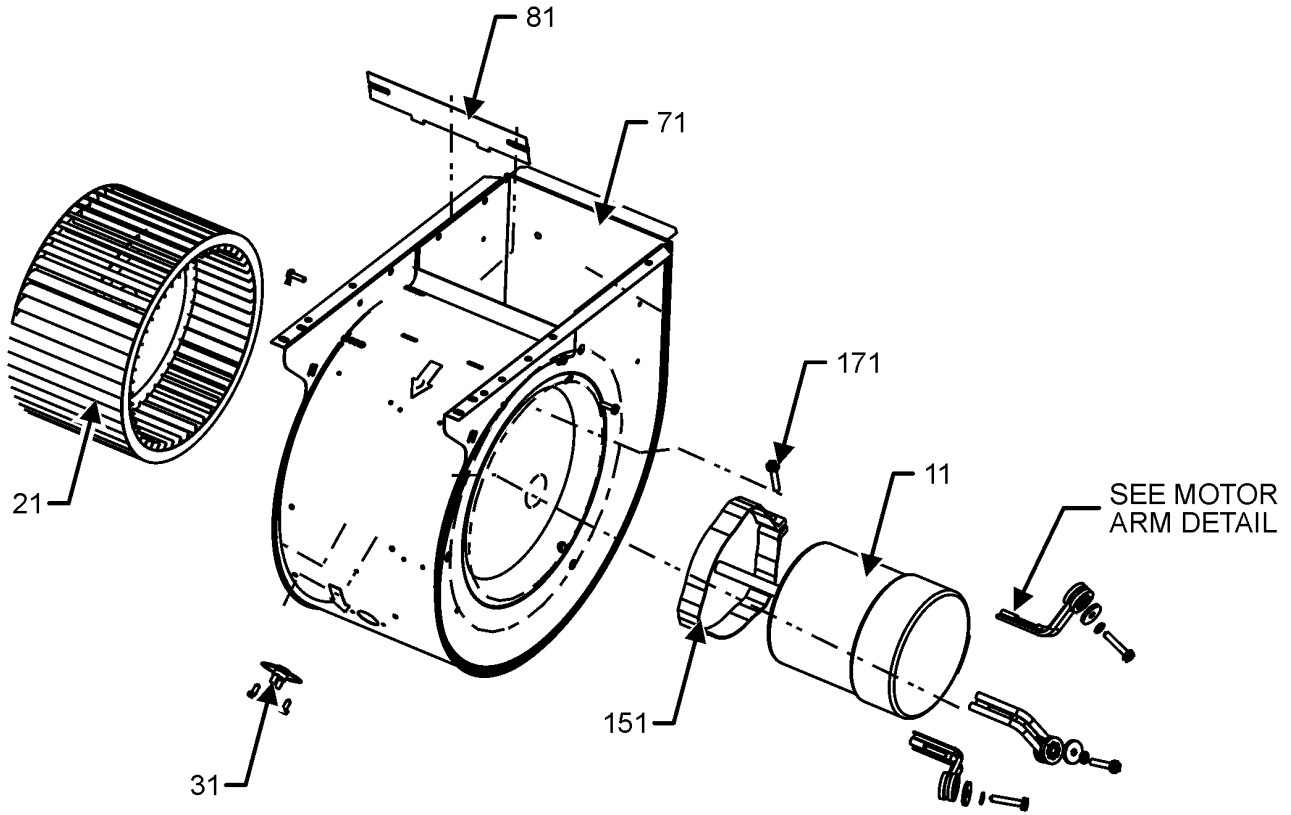


Cabinet and Control Panel Assembly

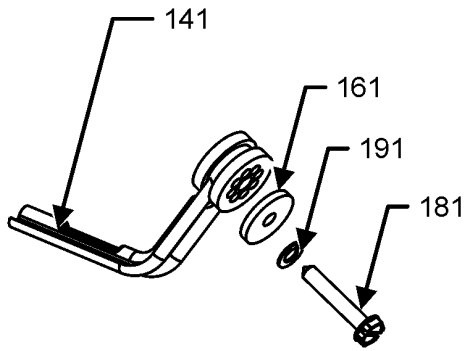
Ref. Part No:	Ref. Part No:	Description:	Description:
Image 1:		Expanded Model Nomenclature	
11	0121F00122DG	DOOR, BLOWER, 14"-PAINTED (M1, M2, M3, M4)	M1 - GM9S800403ANAA
11	0121F00123DG	DOOR, BLOWER, 17.5" PAINTED (M5, M6, M7, M8, M9, M10, M11, M12)	M2 - GM9S800403AXAA
11	0121F00124DG	DOOR, BLOWER, 21"-PAINTED (M13, M14, M15, M16, M17, M18)	M3 - GM9S800603ANAA
11	0121F00125DG	DOOR, BLOWER, 24.5"-PAINTED (M19)	M4 - GM9S800603AXAA
21	B1392139	VIEW PORT BUSHING-BLOWER DOOR	M5 - GM9S800603BNAA
31	0121F00118DG	DOOR CTRL ACCESS, 14"-PAINTED (M1, M2, M3, M4)	M6 - GM9S800603BXAA
31	0121F00120DG	DOOR CTRL ACCESS, 21"-PAINTED (M13, M14, M15, M16, M17, M18)	M7 - GM9S800604BNAA
31	0121F00121DG	DOOR CTRL ACCESS, 24.5"PAINTED (M19)	M8 - GM9S800604BXAA
31	0121F00119DG	DOOR CTRL ACCESS, 17.5"-PAINTED (M5, M6, M7, M8, M9, M10, M11, M12)	M9 - GM9S800803BNAA
41	0130F00505	SWITCH, PRESSURE (M1, M2, M9, M10, M11, M12, M17, M18)	M10 - GM9S800803BXAA
41	0130F00506	SWITCH, PRESSURE (M3, M4, M5, M6, M7, M8, M13, M14, M15, M16)	M11 - GM9S800804BNAA
41	0130F00507	SWITCH, PRESSURE (M19)	M12 - GM9S800804BXAA
51	B1392147	UNIVERSAL BUSHING WITH SLICE (M1, M2, M3, M4, M5, M6, M7, M8, M9, M10, M11, M12, M13, M14, M16, M17, M18, M19)	M13 - GM9S800804CNAA
71	4014502	J-BOX	M14 - GM9S800804CXAA
81	4015502	COVER, J-BOX	M15 - GM9S800805CNAA
111	10690402	INTERLOCK SWITCH	M16 - GM9S800805CXAA
171	0121F00141DG	TOP, FURNACE 14"-PAINTED (M1, M2, M3, M4)	M17 - GM9S801005CNAA
171	0121F00142DG	TOP, FURNACE 17.5"-PAINTED (M5, M6, M7, M8, M9, M10, M11, M12)	M18 - GM9S801005CXAA
171	0121F00143DG	TOP, FURNACE 21"-PAINTED (M13, M14, M15, M16, M17, M18)	M19 - GM9S801205DNAA
171	0121F00463DG	TOP, FURNACE 24.5" PAINTED (M19)	
211	0130M00140	TRANSFORMER, (120V TO 24V, 40VA,	
251	PCBBF163	CIRCUIT BOARD FURNACE	
271	0121F00744	PANEL, CONTROL MOUNTING	
321	4023500	CHIMNEY TRANSITION TOP	
NS	HI-130	HOMEOWNERS INSTRUCTIONS	
NS	IOG-2030	INSTALLATION INSTRUCTIONS	
NS	0161F00007	NAMEPLATE, GOODMAN	
NS	PWGFURNSUNT	PRODUCT WARRANTY	

Blower Assembly

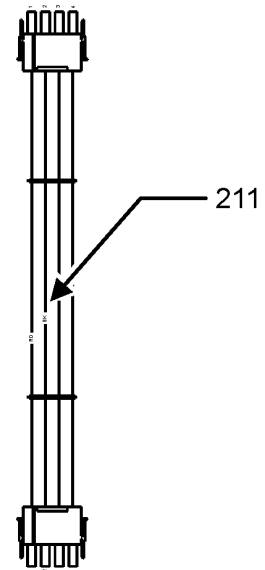
BLOWER ASSEMBLY



LIMIT LOCATION MAY DIFFER FROM WHAT IS SHOWN



MOTOR ARM DETAIL



BLOWER ASSEMBLY MAY DIFFER FROM WHAT IS SHOWN

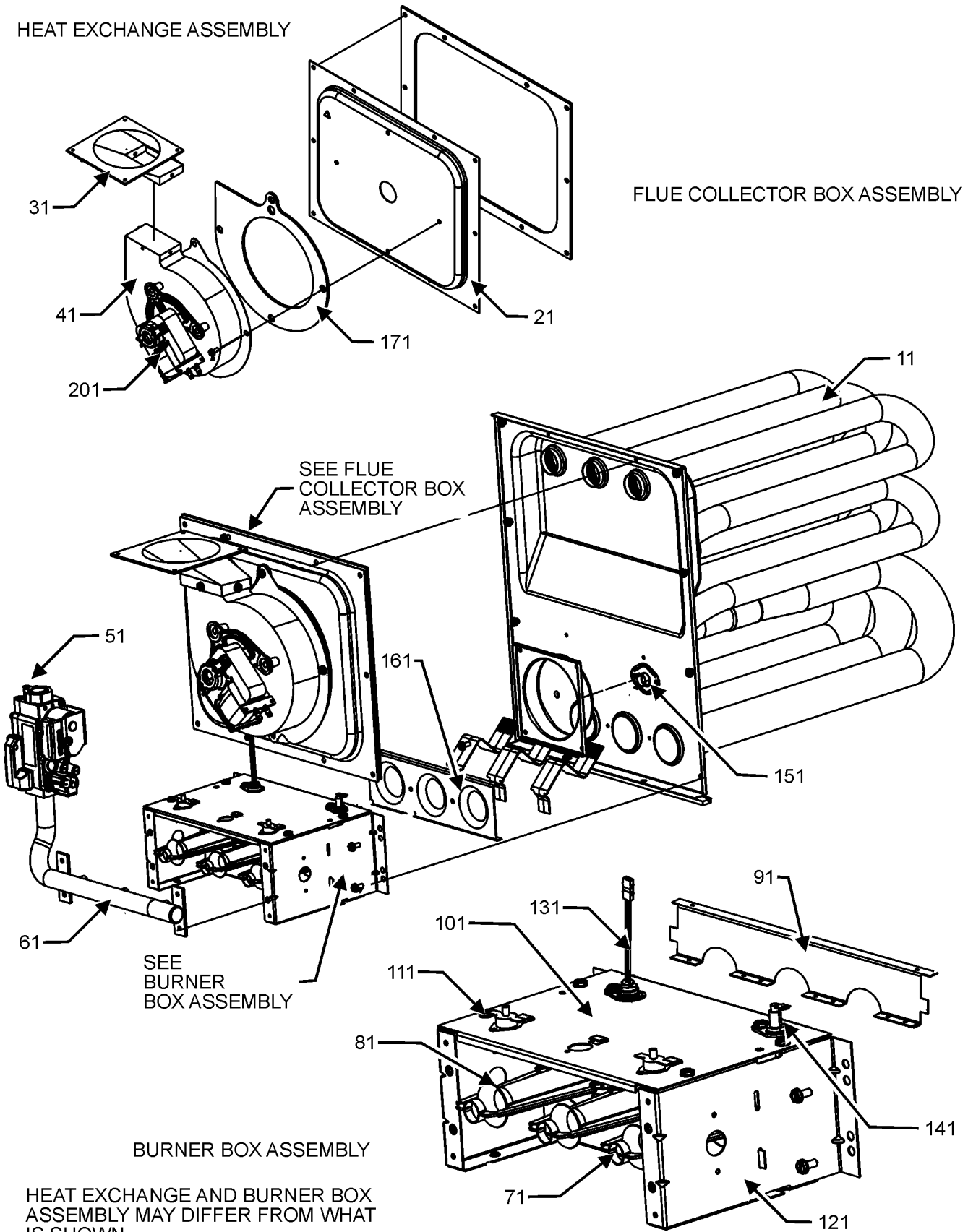
Blower Assembly

Ref. Part No:	No:	Description:	Ref. Part No:	No:	Description:
Image 1:			Expanded Model Nomenclature		
11	0131F00246	MOTOR PROGRAMMED (M1, M2)	M1	-	GM9S800403ANAA
11	0131F00247	MOTOR PROGRAMMED (M3, M4)	M2	-	GM9S800403AXAA
11	0131F00248	MOTOR PROGRAMMED (M5, M6)	M3	-	GM9S800603ANAA
11	0131F00249	MOTOR PROGRAMMED (M7, M8)	M4	-	GM9S800603AXAA
11	0131F00250	MOTOR PROGRAMMED (M9, M10)	M5	-	GM9S800603BNAA
11	0131F00251	MOTOR PROGRAMMED (M11, M12)	M6	-	GM9S800603BXAA
11	0131F00252	MOTOR PROGRAMMED (M13, M14)	M7	-	GM9S800604BNAA
11	0131F00253	MOTOR PROGRAMMED (M15, M16)	M8	-	GM9S800604BXAA
11	0131F00254	MOTOR PROGRAMMED (M17, M18)	M9	-	GM9S800803BNAA
11	0131F00255	MOTOR PROGRAMMED (M19)	M10	-	GM9S800803BXAA
21	0150M00042	WHEEL, BLOWER (10 X 10) (M13, M14, M15, M16, M17, M18)	M11	-	GM9S800804BNAA
21	0150M00043	WHEEL, BLOWER (10 X 8) (M5, M6, M7, M8, M9, M10, M11, M12)	M12	-	GM9S800804BXAA
21	0150M00061	WHEEL,BLOWER (M1, M2, M3, M4)	M13	-	GM9S800804CNAA
21	0150M00062	WHEEL,BLOWER (M19)	M14	-	GM9S800804CXAA
31	0130F00038	LIMIT, PRIMARY 120 LT BLUE	M15	-	GM9S800805CNAA
71	2539307	BLWR SHL ASM 10X10 10X10 (M13, M14, M15, M16, M17, M18, M19)	M16	-	GM9S800805CXAA
71	2539305	BLWR SHL ASM 10X6 10X6 (M1, M2, M3, M4)	M17	-	GM9S801005CNAA
71	2539306	BLWR SHL ASM 10X8 10X8 (M5, M6, M7, M8, M9, M10, M11, M12)	M18	-	GM9S801005CXAA
81	764741	BLWR BLK-OFF,10X10 (M13, M14, M15, M16, M17, M18, M19)	M19	-	GM9S801205DNAA
81	764739	BLWR BLK-OFF,10X6 (M1, M2, M3, M4)			
81	764740	BLWR BLK-OFF,10X8 (M5, M6, M7, M8, M9, M10, M11, M12)			
141	0163M00538	MOUNT ARM, MOTOR (QTY 3)			
151	0121M00039	MOTOR MOUNT BAND (HEAVY DUTY)			
161	B1392918	WASHER, FLAT 1/4 ID X 1 OD (QTY 3)			
171	0163M00320	HEX HEAD ALL THREAD TAP BOLT			
181	M0250565	SCREW-TC 1.25" (QTY 3)			
191	B1393800	LOCK NUT NYLON IINISERT 1/4 20			
211	0159F00119	CTM, MOTOR HARNESS			

Heat Exchange Assembly

HEAT EXCHANGE ASSEMBLY

FLUE COLLECTOR BOX ASSEMBLY



HEAT EXCHANGE AND BURNER BOX ASSEMBLY MAY DIFFER FROM WHAT IS SHOWN

Heat Exchange Assembly

Ref. Part No:	Ref. Part No:	Description:	Description:
Image 1:		Image 1:	
11	0270F00900	HEAT EXCHANGER ASSY (M1, M2)	171 0154F00004 GASKET-17.5 INCH (M5, M6, M7, M8, M9, M10, M11, M12)
11	0270F00901	HEAT EXCHANGER ASSY (M3, M4)	171 0154F00005 GASKET-21 INCH (M13, M14, M15, M16, M17, M18)
11	0270F00902	HEAT EXCHANGER ASSY (M9, M10, M11, M12)	171 0154F00006 GASKET-24.5 INCH (M19)
11	0270F00903	HEAT EXCHANGER ASSY (M17, M18)	201 DY6.186.070 VENT MOTOR CAPACITOR
11	0270F00904	HEAT EXCHANGER ASSY (M19)	NS 0159F00135 WIRE HARNESS
11	0270F00929	HEAT EXCHANGER ASSY (M5, M6, M7, M8)	NS 0259F00303 WIRE HARNESS ASSY IGNITOR
11	0270F00930	HEAT EXCHANGER ASSY (M13, M14, M15, M16)	
21	0121F00333	21" COLLECTOR BOX 1.75" DIA (M13, M14, M15, M16)	
21	0121F00330	24.5" COLLECTOR BOX 2.125" DIA (M19)	
21	0121F00217	COLLECTOR BOX (M17, M18)	
21	0121F00126	COLLECTOR BOX 14" 1.375 DIA (M1, M2)	
21	0121F00128	COLLECTOR BOX 17.5" 1.75 DIA (M5, M6, M7, M8, M9, M10, M11, M12)	
21	0121F00198	COLLECTOR BOX, 14" 1.75 DIA (M3, M4)	
31	0128F00006	TRANSITION, BOTTOM	
41	0131M00002P	MOTOR, VENT 80+	
51	0151M00037	GAS VALVE	
61	0120F00006	MANIFOLD (M1, M2)	
61	0120F00007	MANIFOLD (M3, M4, M5, M6, M7, M8)	
61	0120F00008	MANIFOLD (M9, M10, M11, M12, M13, M14, M15, M16)	
61	0120F00009	MANIFOLD (M17, M18)	
61	0120F00010	MANIFOLD (M19)	
71	10716005	ORIFICE (QTY 2)	
81	B4022700	INSHOT BURNER ASSY 3" (QTY 2)	
91	0121F00167	BURNER RACK, 2 CELL (M1, M2)	
91	0121F00168	BURNER RACK, 3 CELL (M3, M4, M5, M6, M7, M8)	
91	0121F00169	BURNER RACK, 4 CELL (M9, M10, M11, M12, M13, M14, M15, M16)	
91	0121F00170	BURNER RACK, 5 CELL (M17, M18)	
91	0121F00171	BURNER RACK, 6 CELL (M19)	
101	0121F00162	TOP, BURNER BOX 2 CELL (M1, M2)	
101	0121F00759	TOP, BURNER BOX 3 CELL (M3, M4, M5, M6, M7, M8)	
101	0121F00760	TOP, BURNER BOX 4 CELL (M9, M10, M11, M12, M13, M14, M15, M16)	
101	0121F00761	TOP, BURNER BOX 5 CELL (M17, M18)	
101	0121F00762	TOP, BURNER BOX 6 CELL (M19)	
111	10123529	LIMIT-RESET MAN-GREEN (QTY 2)	
121	0121F00146	BURNER BOX SIDE (QTY 2)	
131	0130F00008	SINI IGNITOR	
141	0130F00010	FLAME SENSOR	
151	20162901	LIMIT, PRIMARY (M1, M2)	
151	20162903	LIMIT, PRIMARY (M13, M14, M15, M16, M19)	
151	20162904	LIMIT, PRIMARY (M3, M4, M5, M6, M7, M8, M9, M10, M11, M12, M17, M18)	
161	4028000	ORIFICE PLATE, 2CELL (M1, M2)	
161	4028001	ORIFICE PLATE, 3CELL (M3, M4, M5, M6, M7, M8)	
161	4028002	ORIFICE PLATE, 4 CELL (M9, M10, M11, M12, M13, M14, M15, M16)	
161	4028003	ORIFICE PLATE, 5CELL (M17, M18)	
161	4028004	ORIFICE PLATE, 6CELL (M19)	
171	0154F00003	GASKET-14 INCH (M1, M2, M3, M4)	

Expanded Model Nomenclature

M1 - GM9S800403ANAA
M2 - GM9S800403AXAA
M3 - GM9S800603ANAA
M4 - GM9S800603AXAA
M5 - GM9S800603BNAA
M6 - GM9S800603BXAA
M7 - GM9S800604BNAA
M8 - GM9S800604BXAA
M9 - GM9S800803BNAA
M10 - GM9S800803BXAA
M11 - GM9S800804BNAA
M12 - GM9S800804BXAA
M13 - GM9S800804CNAA
M14 - GM9S800804CXAA
M15 - GM9S800805CNAA
M16 - GM9S800805CXAA
M17 - GM9S801005CNAA
M18 - GM9S801005CXAA
M19 - GM9S801205DNAA