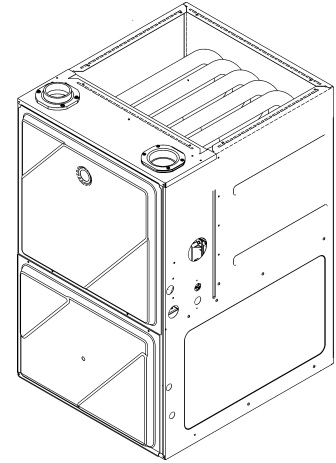

GM9S 92% FER Up Flow Furnace

GM9S920403ANAA
GM9S920603BNAA
GM9S920803BNAA
GM9S920804CNAA
GM9S920805CNAA
GM9S921004CNAA
GM9S921005CNAA
GM9S921205DNAA



This manual is to be used by qualified technicians only.

© 2021 Goodman Manufacturing Company, L.P. ♦ 5151 San Felipe St, Suite 500 ♦ Houston, TX 77056

Important Information

Index

Functional Parts List	3
Illustration and Parts	4 - 11

Views shown are for parts illustrations only, not servicing procedures.

Text Codes:

AR - As Required

NA - Not Available

NS - Not Shown

00000000 - See Note

QTY - Quantity Example (QTY 3) (If Quantity not shown, Quantity = 1)

M - Model Example (M1) (If M Code not shown, then part is used on all Models)

Expanded Model Nomenclature:

Example M1 - Model#1 M2 - Model#2 M3 - Model#3

Goodman Manufacturing Company, L.P. is not responsible for personal injury or property damage resulting from improper service. Review all service information before beginning repairs.

Warranty service must be performed by an authorized technician, using authorized factory parts. If service is required after the warranty expires, Goodman Manufacturing Company, L.P. also recommends contacting an authorized technician and using authorized factory parts.

Goodman Manufacturing Company, L.P. reserves the right to discontinue, or change at any time, specifications or designs without notice or without incurring obligations.

For assistance within the U.S.A. contact:
Homeowner Support
Goodman Manufacturing Company, L.P.
19001 Kermier Road
Waller, Texas 77484
877-254-4729-Telephone
713-863-2382-Facsimile

For assistance outside the U.S.A. contact:
International Division
Goodman Manufacturing Company, L.P.
19001 Kermier Road
Waller, Texas 77484
713-861-2500-Telephone
713-863-2382-Facsimile

Functional Parts

Part

No: Description:

0257F00449	ASSY, HEAT EXCHANGER (M1)
0163F00017	BECKETT BURNER (QTY 2)
0271F00181	BLOWER HSG ASSY (M2, M3)
0271F00163	BLOWER SHELL & WHEEL ASSY (M8)
0271F00161	BLOWER SHELL & WHEEL ASSY (M5, M7)
PCBBF163	CIRCUIT BOARD, FURNACE
0130F00010	FLAME SENSOR
0151M00037	GAS VALVE
0257F00281	HEAT EXCHANGER ASSY (M6, M7)
0257F00211	HEAT EXCHANGER ASSY (M3)
0257F00286	HEAT EXCHANGER ASSY (M8)
0257F00283	HEAT EXCHANGER ASSY (M2)
0257F00296	HEAT EXCHANGER ASSY (M4, M5)
0130F00008	IGNITOR-SINI 17 SEC
0130M00243	INTERLOCK SWITCH
20162903	LIMIT, PRIMARY (M1, M5, M6)
20162907	LIMIT, PRIMARY (M7)
20162906	LIMIT, PRIMARY (M3)
20162904	LIMIT, PRIMARY (M8)
0130F00038	LIMIT, PRIMARY, 120, LT BLUE (QTY 2)
0130F00036	LIMIT, PRIMARY, 180, PINK (M2, M4)
0130F00123	LIMIT, RESET MAN (M2)
10123538	LIMIT-MAN-TAN (M1)
10123529	LIMIT-RESET MAN-GREEN (M8)
10123539	LIMIT-RESET MAN-ORANGE (M3, M5, M6, M7)
10123534	LIMIT-RESET MAN-ORANGE (M4)
0171M00008	MOTOR, ID BLOWER (M1)
0131F00261	MOTOR, PROGRAM (M1)
0131F00267	MOTOR, PROGRAM (M7)
0131F00266	MOTOR, PROGRAM (M6)
0131F00265	MOTOR, PROGRAM (M5)
0131F00264	MOTOR, PROGRAM (M4)
0131F00263	MOTOR, PROGRAM (M3)
0131F00262	MOTOR, PROGRAM (M2)
0131F00268	MOTOR, PROGRAM (M8)
0171M00001	MOTOR-ID, BLOWER (M2, M3, M4, M5, M6, M7, M8)
0130F00641	PRESSURE SWITCH (M1)
0130F00442	SWITCH, PRESSURE (M2, M4, M5, M8)
0130F00441	SWITCH, PRESSURE (M3, M6, M7)
0130M00140	TRANSFORMER 120V TO 24V, 40VA
0150M00042	WHEEL, BLOWER (10 X 10) (M4, M6)
0150M00043	WHEEL, BLOWER (10 X 8) (M2, M3)
0150M00061	WHEEL,BLOWER (M1)

Expanded Model Nomenclature

M1 - GM9S920403ANAA
M2 - GM9S920603BNAA
M3 - GM9S920803BNAA
M4 - GM9S920804CNAA
M5 - GM9S920805CNAA
M6 - GM9S921004CNAA
M7 - GM9S921005CNAA
M8 - GM9S921205DNAA

SPECIAL PARTS

0161F00086	NAMEPLATE, GOODMAN
------------	--------------------

Cabinet Assembly

Ref. Part No:	Part No:	Description:	Ref. Part No:	Part No:	Description:
---------------	----------	--------------	---------------	----------	--------------

Image 1:

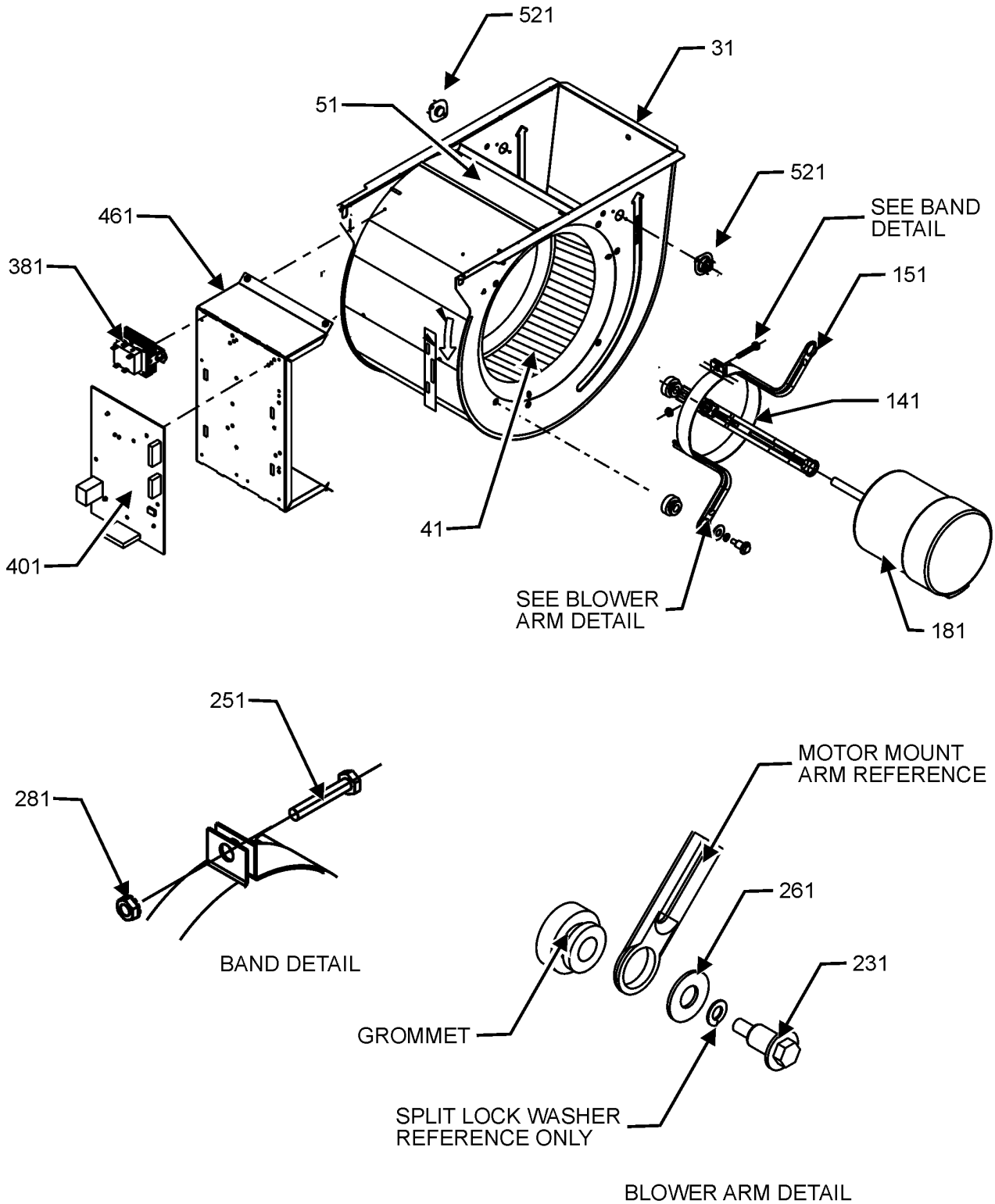
11	0270F05248	DRAIN KIT ASSY
21	0270F05248	DRAIN KIT ASSY
111	0154F00024	GASKET (QTY 2)
121	0154F00025	GASKET (QTY 2)
141	0161F00046	DRAIN TRAP
191	0121F00291DG	DOOR, ACCESS 17.5 PNT (M2, M3)
191	0121F00292DG	DOOR, ACCESS 21 PNT (M4, M5, M6, M7)
191	0121F00293DG	DOOR, ACCESS 24.5 PNT (M8)
191	0121F00674DG	PNT, DOOR, ACCESS 14" (M1)
201	0121F00288DG	DOOR, BLOWER 17.5 PNT (M2, M3)
201	0121F00289DG	DOOR, BLOWER 21 PNT (M4, M5, M6, M7)
201	0121F00290DG	DOOR, BLOWER 24.5 PNT (M8)
201	0121F00672DG	PNT, DOOR, BLOWER 14" (M1)
281	B1392139	VIEW PORT BUSHING-BLOWER DOOR (QTY 2)
311	0154F00020	GASKET, DECK (M2, M3)
311	0154F00021	GASKET, DECK (M4, M5, M6, M7)
311	0154F00022	GASKET, DECK (M8)
311	0154F00063	GASKET, DECK (M1)
341	0164F00017	HOSE-ELBOW/TRAP
351	0164F00020	DRAIN HOSE (M1)
351	0164F00006	HOSE, COVER/TRAP (M8)
351	0164F00024	HOSE, COVER/TRAP (M2, M3, M4, M5, M6, M7)
451	M0501301	PIPE GROMMET
491	M0570808	BUTTON PLUG (QTY 3)
501	M0570806	BUTTON PLUG
511	M0570807	BUTTON PLUG
521	0161M00027	PLUG, HOLE (M1, M2, M3, M6, M7)
601	B1392021	PLASTIC PLUG, 1" (2713-BLK) (QTY 4)
741	B1392104	UNIVERSAL BUSHING UB 875
NS	M0310345	BUTTON PLUG (QTY 2)
NS	0163M00319	HEX NUT-INSERT (QTY 3)
NS	0161F00086	NAMEPLATE, GOODMAN
NS	M0273904	RETAINER-SCREW (QTY 3)
NS	M0209730	SCREW-DECORATIVE (QTY 3)

Expanded Model Nomenclature

- | |
|---------------------|
| M1 - GM9S920403ANAA |
| M2 - GM9S920603BNAA |
| M3 - GM9S920803BNAA |
| M4 - GM9S920804CNAA |
| M5 - GM9S920805CNAA |
| M6 - GM9S921004CNAA |
| M7 - GM9S921005CNAA |
| M8 - GM9S921205DNAA |

Blower Assembly

BLOWER ASSEMBLY



BLOWER ASSEMBLY MAY DIFFER FROM WHAT IS SHOWN

Blower Assembly

Ref. Part No:	Ref. Part No:	Description:	Description:
---------------	---------------	--------------	--------------

Image 1:

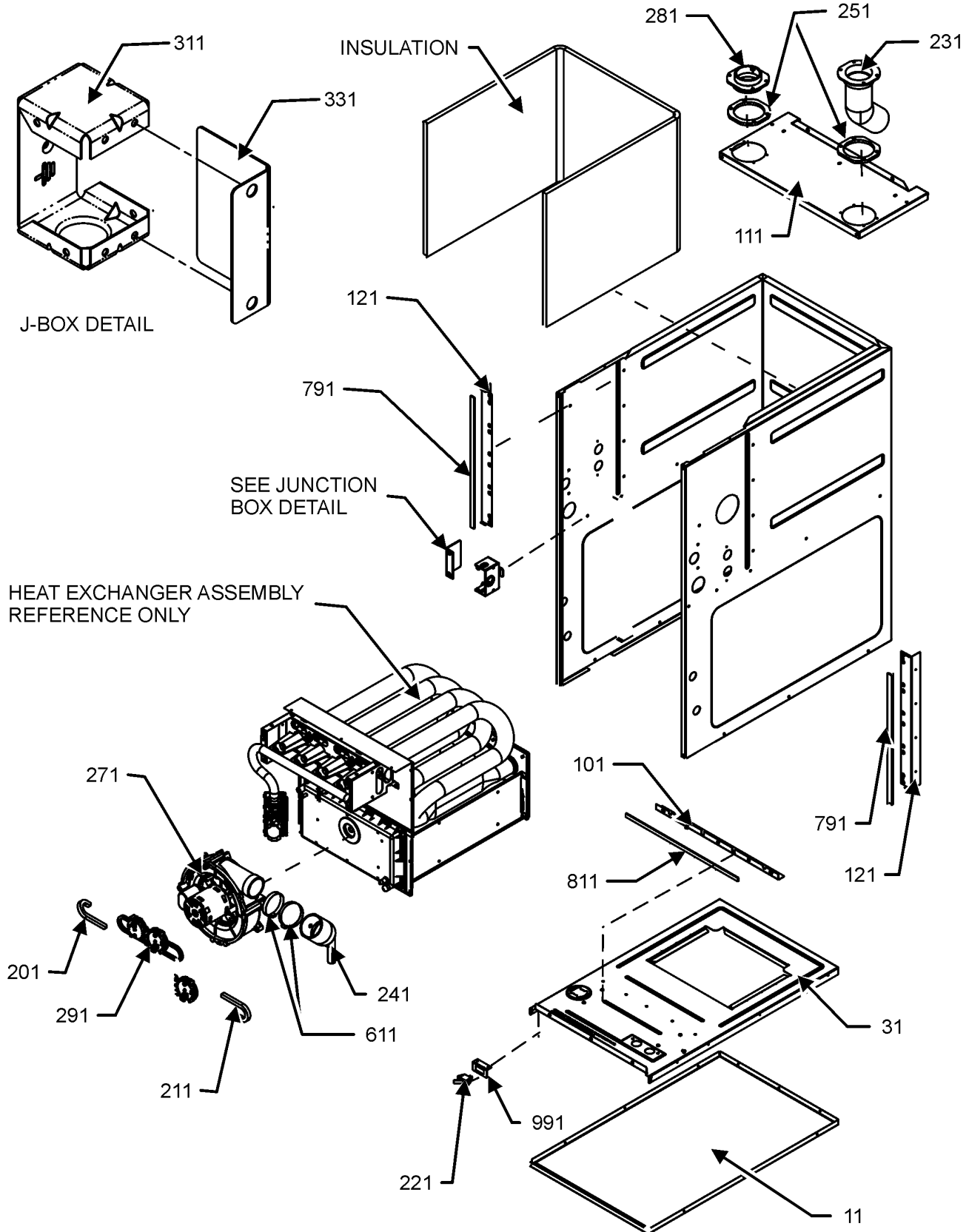
31	0271F00181	BLOWER HSG ASSY (M2, M3)
31	0271F00182	BLOWER HSG ASSY (M4, M6)
31	0271F00323	BLOWER HSG ASSY (M1)
31	0271F00161	BLOWER SHELL & WHEEL ASSY (M5, M7)
31	0271F00163	BLOWER SHELL & WHEEL ASSY (M8)
41	0150M00042	WHEEL, BLOWER (10 X 10) (M4, M6)
41	0150M00043	WHEEL, BLOWER (10 X 8) (M2, M3)
41	0150M00061	WHEEL,BLOWER (M1)
51	764741	BLWR BLK-OFF,10X10 (M4, M6)
51	764739	BLWR BLK-OFF,10X6 (M1)
51	764740	BLWR BLK-OFF,10X8 (M2, M3)
141	0121M00039	MOUNT BAND, MOTOR (HEAVY DUTY)
151	0163M00538	MOUNT ARM, MOTOR (QTY 3)
181	0131F00261	MOTOR, PROGRAM (M1)
181	0131F00262	MOTOR, PROGRAM (M2)
181	0131F00263	MOTOR, PROGRAM (M3)
181	0131F00264	MOTOR, PROGRAM (M4)
181	0131F00265	MOTOR, PROGRAM (M5)
181	0131F00266	MOTOR, PROGRAM (M6)
181	0131F00267	MOTOR, PROGRAM (M7)
181	0131F00268	MOTOR, PROGRAM (M8)
231	M0250565	TC SCREW 1.25" (QTY 3)
251	0163M00320	HEX HEAD ALL THREAD TAP BOLT
261	B1392918	WASHER, FLAT 1/4 ID X 1 OD (QTY 3)
281	B1393800	LOCKNUT, NYLON, INSERT 1/4, 20
381	0130M00140	TRANSFORMER 120V TO 24V, 40VA
401	PCBBF163	CIRCUIT BOARD, FURNACE
461	0121F00464	MOUNTING PLATE-CONTROLS
521	0130F00038	LIMIT, PRIMARY, 120, LT BLUE (QTY 2)
NS	0159F00119	CTM, MOTOR HARNESS
NS	B1392021	PLASTIC PLUG, 1" (2713-BLK) (QTY 4)
NS	0259F00024	WIRE HARNESS-BLOWER

Expanded Model Nomenclature

M1 - GM9S920403ANAA
M2 - GM9S920603BNAA
M3 - GM9S920803BNAA
M4 - GM9S920804CNAA
M5 - GM9S920805CNAA
M6 - GM9S921004CNAA
M7 - GM9S921005CNAA
M8 - GM9S921205DNAA

Chassis Assembly

CHASSIS ASSEMBLY



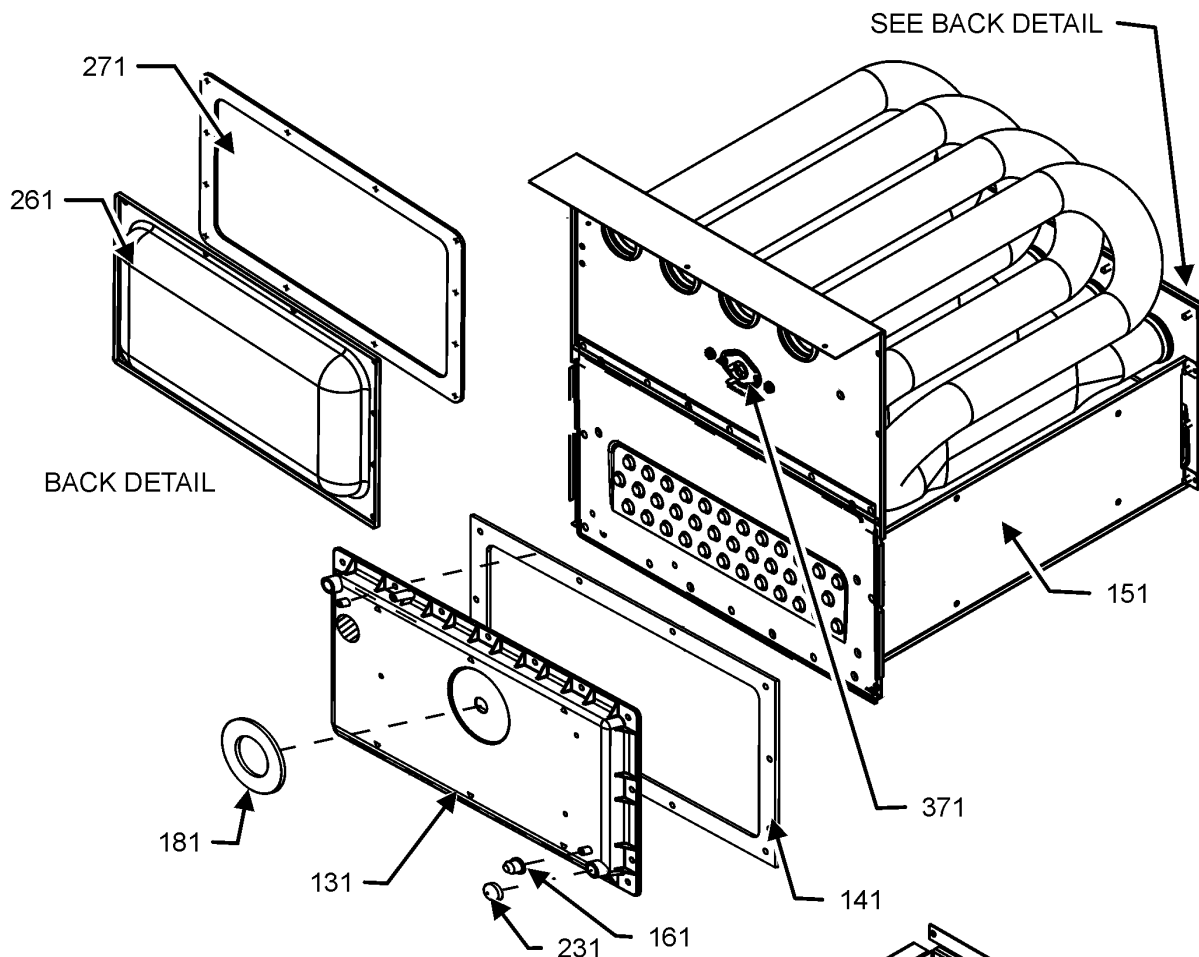
CHASSIS ASSEMBLY MAY DIFFER FROM WHAT IS SHOWN

Chassis Assembly

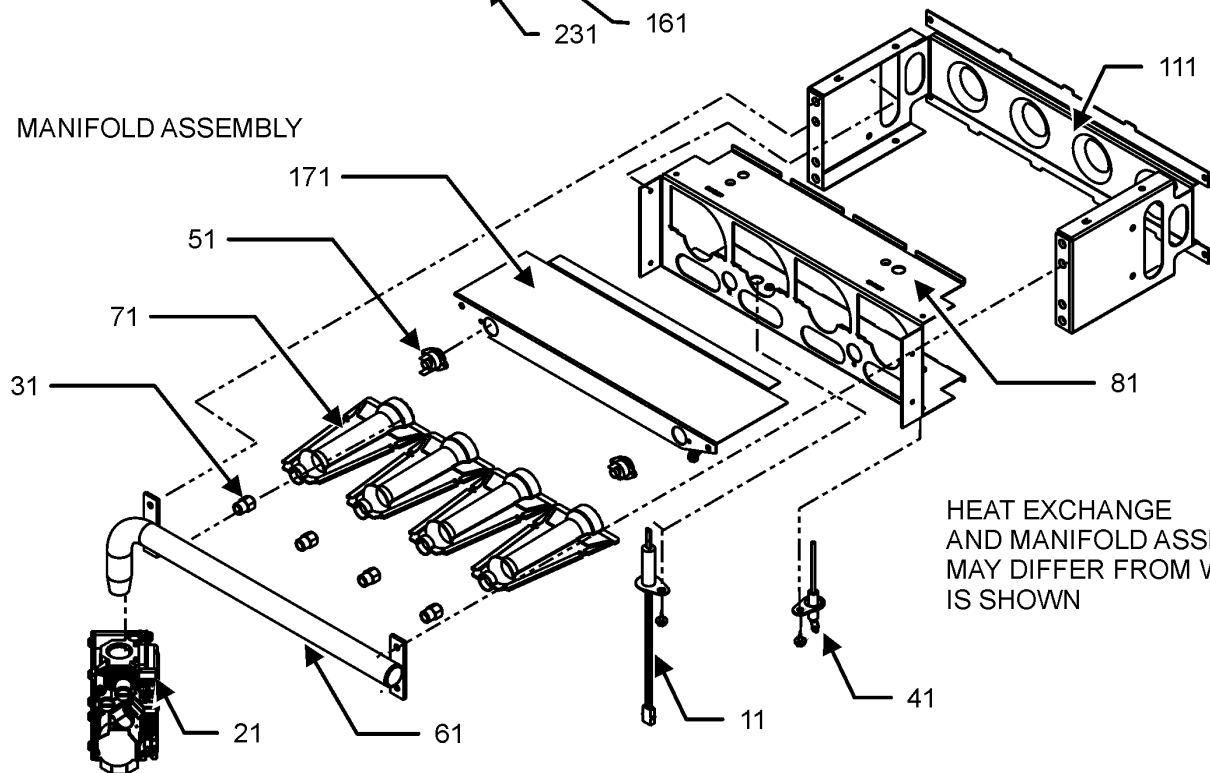
Ref. Part No:	No:	Description:	Ref. Part No:	No:	Description:
Image 1:			Expanded Model Nomenclature		
11	0121F00530DG	BASEPAN, 17.5 (M2, M3)	M1	-	GM9S920403ANAA
11	0121F00531DG	BASEPAN, 21 PNT (M4, M5, M6, M7)	M2	-	GM9S920603BNAA
11	0121F00532DG	BASEPAN, 24.5 PNT (M8)	M3	-	GM9S920803BNAA
11	0121F00664DG	BASEPAN, 14 PNT (M1)	M4	-	GM9S920804CNAA
31	0121F00663	DECK, BLOWER 14" (M1)	M5	-	GM9S920805CNAA
31	0121F00533	DECK-BLOWER 17.5" (M2, M3)	M6	-	GM9S921004CNAA
31	0121F00534	DECK-BLOWER 21" (M4, M5, M6, M7)	M7	-	GM9S921005CNAA
31	0121F00535	DECK-BLOWER 24.5" (M8)	M8	-	GM9S921205DNAA
101	0121F00314	ANGLE, DECK (M2, M3)			
101	0121F00315	ANGLE, DECK (M4, M5, M6, M7)			
101	0121F00316	ANGLE, DECK (M8)			
101	0121F00661	ANGLE, DECK (M1)			
111	0121F00279DG	PAINTED TOP, FURNACE 17.5 (M2, M3)			
111	0121F00280DG	PAINTED TOP, FURNACE 21 (M4, M5, M6, M7)			
111	0121F00281DG	PAINTED TOP, FURNACE 24.5 (M8)			
111	0121F00662DG	PNT, FURNACE TOP 14" (M1)			
121	0121F00313	ANGLE, SIDE (QTY 2)			
201	0164M00118	HOSE- PRESSURE SW 10" (M1)			
201	0164M00117	HOSE- PRESSURE SW 8" (M2, M3, M4, M5, M6, M7, M8)			
211	0164M00119	HOSE- PRESSURE SW 12"			
221	0130M00243	INTERLOCK SWITCH			
231	0164F00002	FLUE PIPE W/BEND			
241	0164F00025	ELBOW-FLUE,UPFLOW			
251	0154F00041	FRESH AIR GASKET (QTY 2)			
271	0171M00008	MOTOR, ID BLOWER (M1)			
271	0171M00001	MOTOR-ID, BLOWER (M2, M3, M4, M5, M6, M7, M8)			
281	0161F00037	COUPLING			
291	0130F00641	PRESSURE SWITCH (M1)			
291	0130F00441	SWITCH, PRESSURE (M3, M6, M7)			
291	0130F00442	SWITCH, PRESSURE (M2, M4, M5, M8)			
311	0161F00042	JUNCTION BOX PLA			
331	0161F00043	JUNCTION BOX LID			
611	0163M00460	CLAMP-HOSE (QTY 2)			
791	0154F00015	GASKET (QTY 2)			
811	0154F00014	GASKET (M2, M3)			
811	0154F00016	GASKET (M4, M5, M6, M7)			
811	0154F00064	GASKET (M1)			
811	20194607	GASKET (M8)			
991	0121F00389	BRACKET, DOOR SWITCH			
NS	0154F00041	FRESH AIR GASKET (QTY 2)			
NS	0160F00025	INSULATION, HT EXCHANGER (M1)			
NS	0160F00015	INSULATION, HT EXCHANGER 17.5" (M2, M3)			
NS	0160F00016	INSULATION, HT EXCHANGER 21" (M4, M5, M6, M7)			
NS	0160F00017	INSULATION, HT EXCHANGER 24.5" (M8)			
NS	M0326804	PLUG-TUBE			
NS	0159F00142	WIRE HARNESS (M1)			
NS	0159F00143	WIRE HARNESS (M2, M3, M4, M5, M6, M7, M8)			

Heat Exchange and Manifold Assembly

HEAT EXCHANGE ASSEMBLY



MANIFOLD ASSEMBLY



Heat Exchange and Manifold Assembly

Ref. Part No:	Description:	Ref. Part No:	Description:								
Image 1:		Image 1:									
11	0130F00008 IGNITOR-SINI 17 SEC	271	0154F00039 GASKET, REAR CVR (M8)								
21	0151M00037 GAS VALVE	371	20162903 LIMIT, PRIMARY (M1, M5, M6)								
31	10716005 ORIFICE (QTY 2)	371	20162904 LIMIT, PRIMARY (M8)								
41	0130F00010 FLAME SENSOR	371	20162906 LIMIT, PRIMARY (M3)								
51	0130F00123 LIMIT, RESET MAN (M2)	371	20162907 LIMIT, PRIMARY (M7)								
51	10123538 LIMIT-MAN-TAN (M1)	371	0130F00036 LIMIT, PRIMARY, 180, PINK (M2, M4)								
51	10123529 LIMIT-RESET MAN-GREEN (M8)	NS	0121F00582 INSULATION, RETAINER (M1)								
51	10123534 LIMIT-RESET MAN-ORANGE (M4)	NS	0121F00583 INSULATION, RETAINER (M2, M3)								
51	10123539 LIMIT-RESET MAN-ORANGE (M3, M5, M6, M7)	NS	0121F00584 INSULATION, RETAINER (M4, M5, M6, M7)								
61	0163F00007 MANIFOLD (M1)	NS	0121F00585 INSULATION, RETAINER (M8)								
61	0163F00008 MANIFOLD (M2)	NS	0121F00439 PRIMARY LIMIT-HEAT SHIELD								
61	0163F00009 MANIFOLD (M4, M5)	NS	0121F00355 SHIELD, COIL (QTY 2)								
61	0163F00010 MANIFOLD (M6, M7)	Expanded Model Nomenclature									
61	0163F00011 MANIFOLD (M8)	<table border="1"> <tr><td>M1 - GM9S920403ANAA</td></tr> <tr><td>M2 - GM9S920603BNAA</td></tr> <tr><td>M3 - GM9S920803BNAA</td></tr> <tr><td>M4 - GM9S920804CNAA</td></tr> <tr><td>M5 - GM9S920805CNAA</td></tr> <tr><td>M6 - GM9S921004CNAA</td></tr> <tr><td>M7 - GM9S921005CNAA</td></tr> <tr><td>M8 - GM9S921205DNAA</td></tr> </table>		M1 - GM9S920403ANAA	M2 - GM9S920603BNAA	M3 - GM9S920803BNAA	M4 - GM9S920804CNAA	M5 - GM9S920805CNAA	M6 - GM9S921004CNAA	M7 - GM9S921005CNAA	M8 - GM9S921205DNAA
M1 - GM9S920403ANAA											
M2 - GM9S920603BNAA											
M3 - GM9S920803BNAA											
M4 - GM9S920804CNAA											
M5 - GM9S920805CNAA											
M6 - GM9S921004CNAA											
M7 - GM9S921005CNAA											
M8 - GM9S921205DNAA											
61	0163F00014 MANIFOLD (M3)										
71	0163F00017 BECKETT BURNER (QTY 2)										
81	0121F00456 BRACKET-BURNER 2 (M1)										
81	0121F00455 BRACKET-BURNER 3 (M2)										
81	0121F00454 BRACKET-BURNER 4 (M3, M4, M5)										
81	0121F00453 BRACKET-BURNER 5 (M6, M7)										
81	0121F00451 BRACKET-BURNER 6 (M8)										
111	0121F00469 ORIFICE BRACKET-BURNER 2 (M1)										
111	0121F00468 ORIFICE BRACKET-BURNER 3 (M2)										
111	0121F00467 ORIFICE BRACKET-BURNER 4 (M3, M4, M5)										
111	0121F00466 ORIFICE BRACKET-BURNER 5 (M6, M7)										
111	0121F00465 ORIFICE BRACKET-BURNER 6 (M8)										
131	0161F00016 COVER, FRONT (M3)										
131	0161F00018 COVER, FRONT (M4, M5)										
131	0161F00027 COVER, FRONT (M6, M7)										
131	0161F00028 COVER, FRONT (M8)										
131	0161F00031 COVER, FRONT (M2)										
131	0161F00076 COVER, FRONT (M1)										
141	0154F00026 GASKET FRONT COVER (M2, M3)										
141	0154F00030 GASKET FRONT COVER (M4, M5, M6, M7)										
141	0154F00034 GASKET FRONT COVER (M8)										
141	0154F00062 GASKET FRONT COVER (M1)										
151	0257F00449 ASSY, HEAT EXCHANGER (M1)										
151	0257F00211 HEAT EXCHANGER ASSY (M3)										
151	0257F00281 HEAT EXCHANGER ASSY (M6, M7)										
151	0257F00283 HEAT EXCHANGER ASSY (M2)										
151	0257F00286 HEAT EXCHANGER ASSY (M8)										
151	0257F00296 HEAT EXCHANGER ASSY (M4, M5)										
161	M0326804 TUBE PLUG										
171	0121F00540 SHEILD, BURNER (M2)										
171	0121F00541 SHEILD, BURNER (M3, M4, M5)										
171	0121F00542 SHEILD, BURNER (M6, M7)										
171	0121F00543 SHEILD, BURNER (M8)										
171	0121F00755 SHIELD, BURNER (M1)										
181	0154F00043 GASKET ID BLOWER										
231	A1781105 CAP-VINYL .500										
261	0121F00317 COVER, REAR (M2, M3)										
261	0121F00318 COVER, REAR (M4, M5, M6, M7)										
261	0121F00319 COVER, REAR (M8)										
261	0121F00670 COVER, REAR (M1)										
271	0154F00058 GASKET REAR CVR (M1)										
271	0154F00037 GASKET, REAR CVR (M2, M3)										
271	0154F00038 GASKET, REAR CVR (M4, M5, M6, M7)										