



# REPAIR PARTS

---

## GSZC70 Remote Heat Pump

GSZC702410AA  
GSZC703610AA  
GSZC704810AA  
GSZC706010AA



This manual is to be used by qualified technicians only.

© 2023 Goodman Manufacturing Company, L.P. ♦ 19001 Kermier Rd. ♦ Waller, TX 77484

# Important Information

---

## Index

Functional Parts List .....	3
Illustration and Parts .....	4 - 9

*Views shown are for parts illustrations only, not servicing procedures.*

### Text Codes:

AR - As Required

NA - Not Available

NS - Not Shown

00000000 - See Note

QTY - Quantity Example (QTY 3) (If Quantity not shown, Quantity = 1)

M - Model Example (M1) (If M Code not shown, then part is used on all Models)

### Expanded Model Nomenclature:

Example M1 - Model#1 M2 - Model#2 M3 - Model#3
---

Goodman Manufacturing Company, L.P. is not responsible for personal injury or property damage resulting from improper service. Review all service information before beginning repairs.

Warranty service must be performed by an authorized technician, using authorized factory parts. If service is required after the warranty expires, Goodman Manufacturing Company, L.P. also recommends contacting an authorized technician and using authorized factory parts.

Goodman Manufacturing Company, L.P. reserves the right to discontinue, or change at any time, specifications or designs without notice or without incurring obligations.

For assistance within the U.S.A. contact:  
Homeowner Support  
Goodman Manufacturing Company, L.P.  
19001 Kermier Road  
Waller, Texas 77484  
877-254-4729-Telephone  
713-863-2382-Facsimile

For assistance outside the U.S.A. contact:  
International Division  
Goodman Manufacturing Company, L.P.  
19001 Kermier Road  
Waller, Texas 77484  
713-861-2500-Telephone  
713-863-2382-Facsimile

# Functional Parts

## Part

## No: Description:

---

0151R00216	ADJUSTABLE VALVE, TXV R410A (M2)
0151R00214	ADJUSTABLE VALVE, TXV R410A (M1)
0151R00231	ADJUSTABLE VALVE, TXV R410A (M3, M4)
0151R00185	BASE VALVE 3/4" (M1)
0151R00187	BASE VALVE 3/8"
0151R00186	BASE VALVE 7/8" (M2, M3, M4)
CAB050350440CS	CAP, 5/35 MFD/440V RD - BPRF (M3)
CAB050400440CT	CAP, 5/40 MFD/440V RD - BPRF (M4)
CAP050300440CS	CAP,5/30MFD/440V/DUAL RD (M1, M2)
0130R00116	CAPACITOR HARD START
ZPS51K7EPFV130	COMP 49000,208/230/60/1 (M4)
ZPS20K7EPFV130	COMP, 200000/208/230/60/1 (M1)
ZPS29K7EPFV130	COMPRESSOR (M2)
ZPS40K7EPFV130	COMPRESSOR, COPELAND (M3)
0130M00106	DISC THERMOSTAT(CRANKCS HTR SW)
11046710	DISC-THERMOSTAT
0163R00007	HEATER, CRANKCASE 230V, 40W (M3, M4)
0163R00006	HEATER, CRANKCASE 230V, 40W (M1, M2)
0131M00827	MOTOR, ECM (M1, M2)
0131M00804	MOTOR, ECM (M3, M4)
0130M00054	OUTDOOR AIR TEMP SENSOR
0130M00502	OUTDOOR COIL TEMP SENSOR (M3, M4)
0130M00852	OUTDOOR COIL TEMP SENSOR (M1, M2)
PCBHR105	PCB, COTROL BOARD
0130M00863	RELAY, HARD START (M1, M2)
0130M00864	RELAY, HARD START (M3, M4)
0151R00068	REVERSING VALVE (M1)
0151R00071	REVERSING VALVE (M2, M3, M4)
0130R00164	SHARED DATA (M1)
0130R00167	SHARED DATA (M4)
0130R00165	SHARED DATA (M2)
0130R00166	SHARED DATA (M3)
B1225022	SOLENOID COIL
0130R00003	SW-CUTOUT HI PRESS
0130R00002	SW-CUTOUT LOW PRESS
0130M00138	TRANSFORMER, 208/230, 24V
0130M00005P	WIRE HARNESS, COMPR SOLENOID

### SPECIAL PARTS

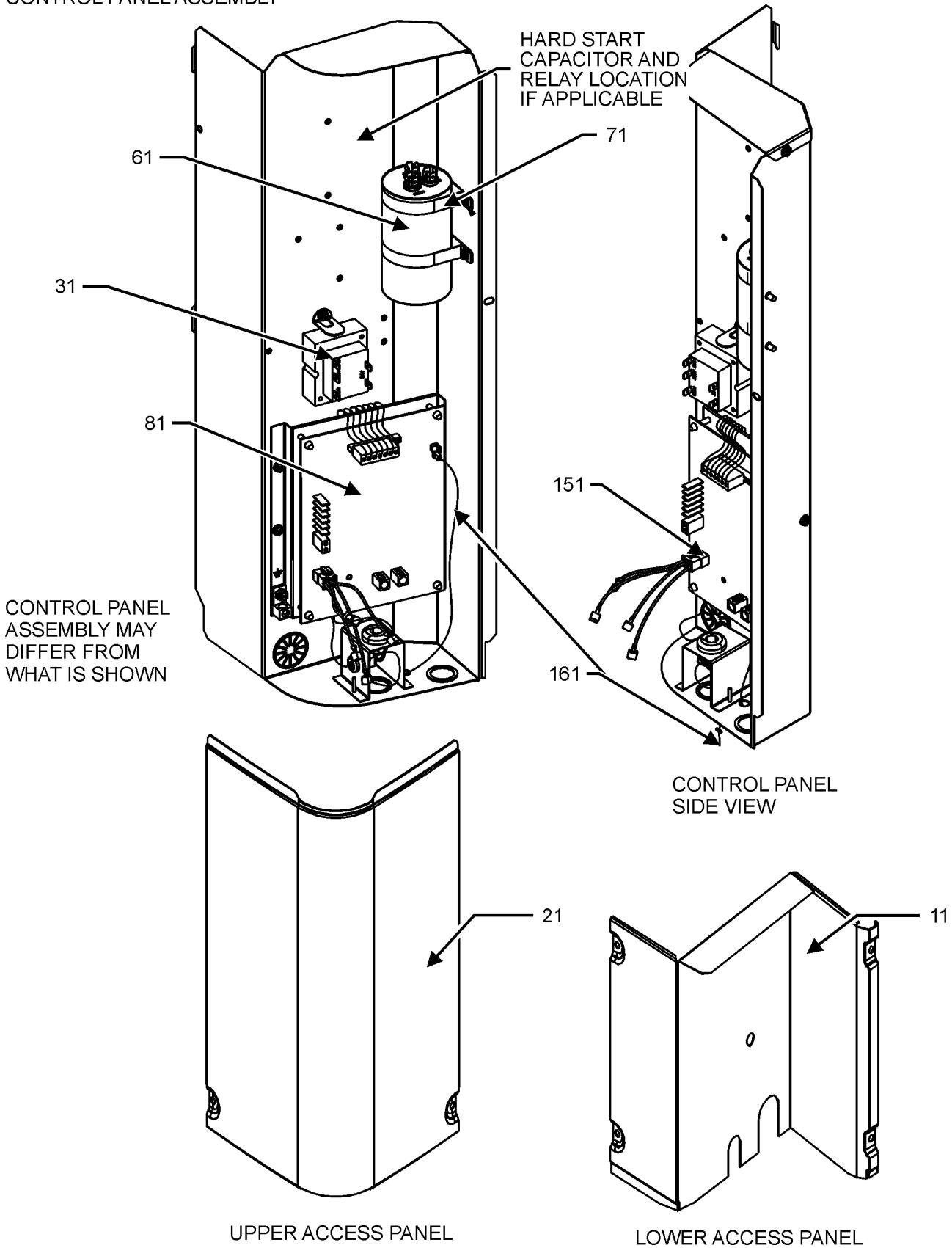
0161R00088	CAP, GRILL
0161R00092	NAMEPLATE, GOODMAN

### Expanded Model Nomenclature

M1 - GSZC702410AA
M2 - GSZC703610AA
M3 - GSZC704810AA
M4 - GSZC706010AA

# Control Box Assembly

## CONTROL PANEL ASSEMBLY



# Control Box Assembly

Ref. Part No:	No:	Description:	Ref. Part No:	No:	Description:
---------------	-----	--------------	---------------	-----	--------------

---

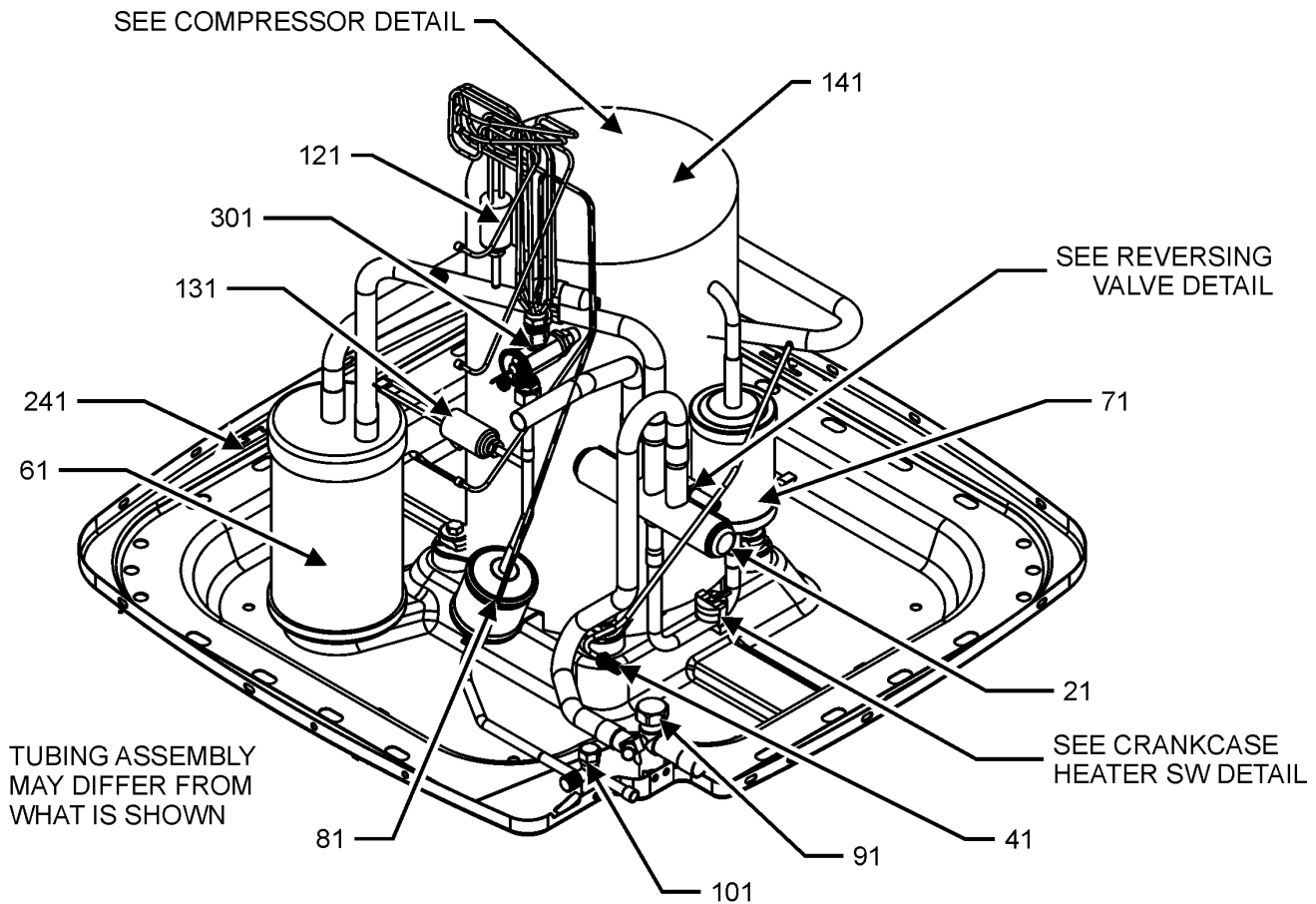
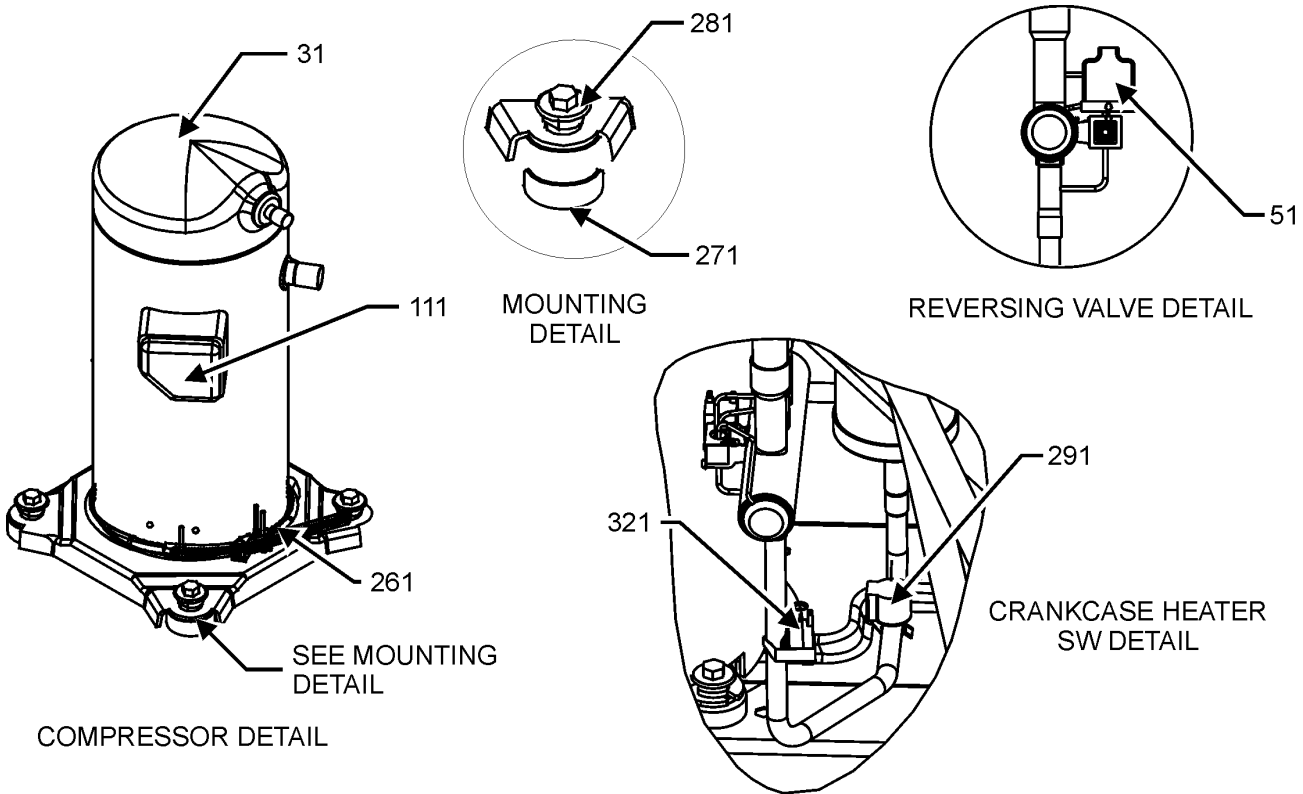
**Image 1:**

11	0121R00908PDG	PNL, LWR ACCESS (M2)
11	0121R00918PDG	PNL, LWR ACCESS (M3, M4)
11	0121R00923PDG	PNL, LWR ACCESS (M1)
21	0121R00950PDG	CONTROL COVER, LARGE PNT
31	0130M00138	TRANSFORMER, 208/230, 24V
61	CAB050350440CS	CAP, 5/35 MFD/440V RD - BPRF (M3)
61	CAB050400440CT	CAP, 5/40 MFD/440V RD - BPRF (M4)
61	CAP050300440CS	CAP,5/30MFD/440V/DUAL RD (M1, M2)
71	0121R00213	CAPACITOR STRAP (QTY 2)
81	PCBHR105	PCB, COTROL BOARD
151	0259R00009	ASSY, HARNESS
161	0130M00054	OUTDOOR AIR TEMP SENSOR
NS	0130R00116	CAPACITOR HARD START
NS	0161R00092	NAMEPLATE, GOODMAN
NS	0130M00863	RELAY, HARD START (M1, M2)
NS	0130M00864	RELAY, HARD START (M3, M4)
NS	0130R00164	SHARED DATA (M1)
NS	0130R00165	SHARED DATA (M2)
NS	0130R00166	SHARED DATA (M3)
NS	0130R00167	SHARED DATA (M4)
NS	0130M00005P	WIRE HARNESS, COMPR SOLENOID

**Expanded Model Nomenclature**

- |                   |
|-------------------|
| M1 - GSZC702410AA |
| M2 - GSZC703610AA |
| M3 - GSZC704810AA |
| M4 - GSZC706010AA |

# Compressor and Tubing Assembly



# Compressor and Tubing Assembly

Ref. Part No: No:	Description:	Ref. Part No: No:	Description:
-------------------	--------------	-------------------	--------------

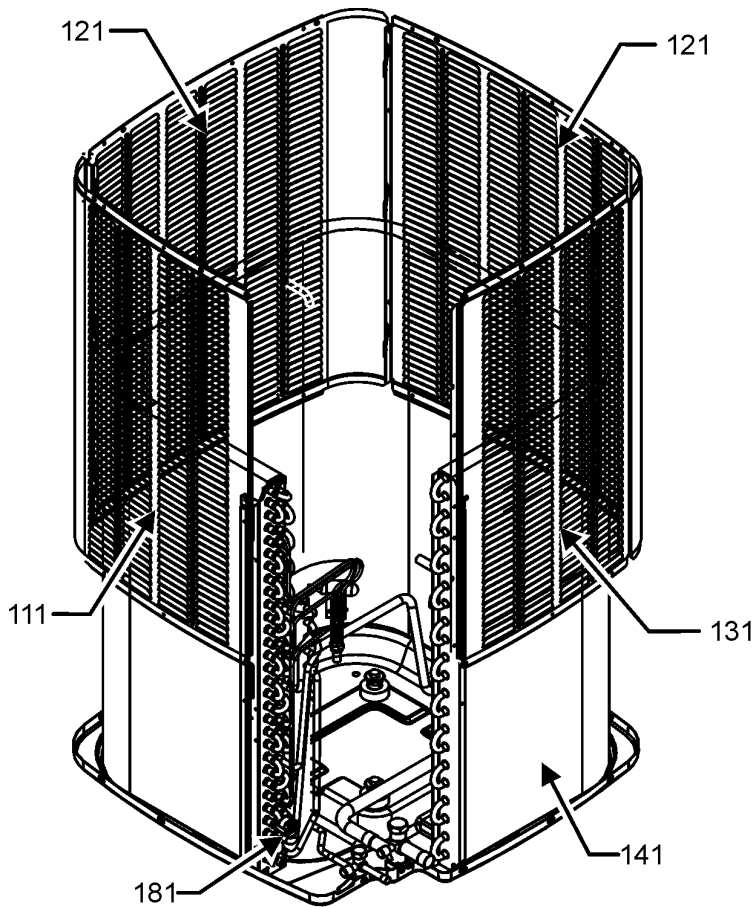
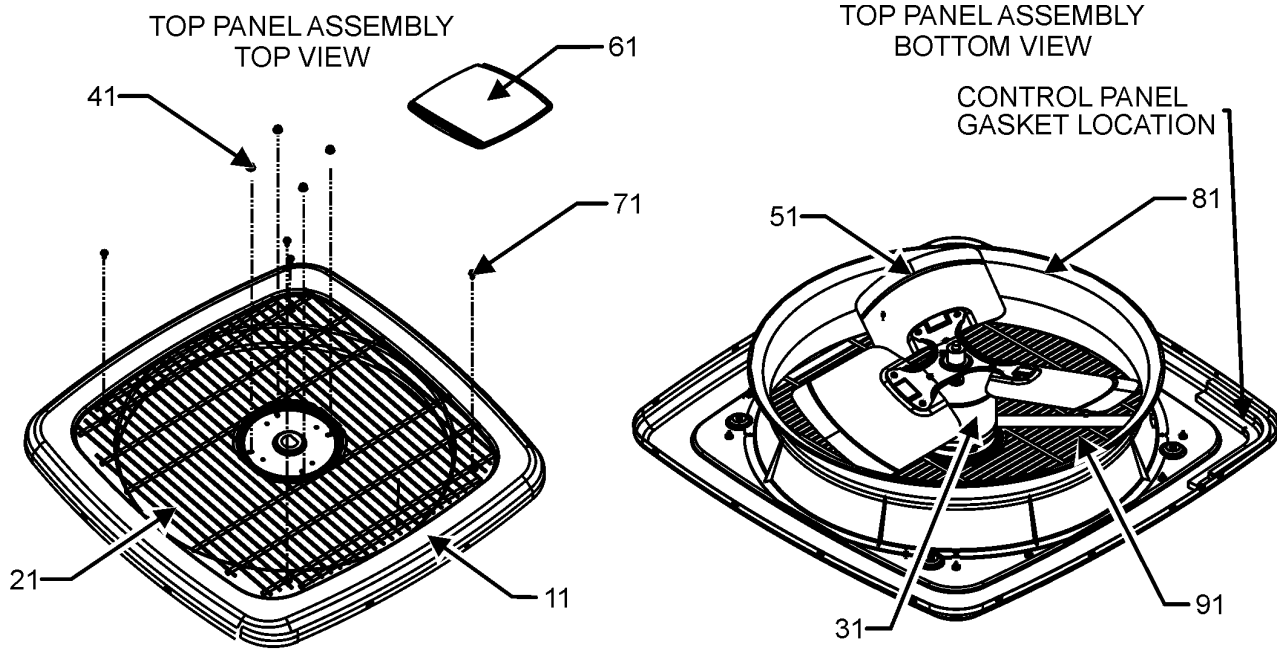
**Image 1:**

21	0151R00068	REVERSING VALVE (M1)
21	0151R00071	REVERSING VALVE (M2, M3, M4)
31	ZPS51K7EPFV130	COMP 49000,208/230/60/1 (M4)
31	ZPS20K7EPFV130	COMP, 200000/208/230/60/1 (M1)
31	ZPS29K7EPFV130	COMPRESSOR (M2)
31	ZPS40K7EPFV130	COMPRESSOR, COPELAND (M3)
41	0163M00175	CAP WITH O-RING
51	0130M00411	SOLENOID HARNESS W/1/4" TERM
61	0151L00010	ACCUMULATOR (M3, M4)
61	0151L00058	ACCUMULATOR (M1)
61	B1226207	ACCUMULATOR .875 (M2)
71	0162R00007	MUFFLER 1/2 X 1/2
81	0162R00056	FILTER/DRIER-BI-FLOW
91	0151R00185	BASE VALVE 3/4" (M1)
91	0151R00186	BASE VALVE 7/8" (M2, M3, M4)
101	0151R00187	BASE VALVE 3/8"
111	0159R00002P	HARNESS, COMP SCROLL 130 46"
121	0130R00002	SW-CUTOUT LOW PRESS
131	0130R00003	SW-CUTOUT HI PRESS
141	0160M00035	COMPRESSOR BLANKET (M1, M2)
141	0160M00039	COMPRESSOR BLANKET (M3, M4)
241	0121R00007PDG	BASE PAN 35"
261	0163R00006	HEATER, CRANKCASE 230V, 40W (M1, M2)
261	0163R00007	HEATER, CRANKCASE 230V, 40W (M3, M4)
271	B1339533	COMPRESSOR GROMMET (QTY 4)
281	M0221641	TF SHOULDER SCREW (QTY 4)
291	0130M00106	DISC THERMOSTAT(CRNKCS HTR SW)
301	0151R00214	ADJUSTABLE VALVE, TXV R410A (M1)
301	0151R00216	ADJUSTABLE VALVE, TXV R410A (M2)
301	0151R00231	ADJUSTABLE VALVE, TXV R410A (M3, M4)
321	11046710	DISC-THERMOSTAT
NS	0151R00218	COMPENSATOR (M3, M4)
NS	0151R00229	COMPENSATOR (M2)
NS	0151R00006	COMPENSATOR 3.5 (M1)
NS	B1225022	SOLENOID COIL
NS	0151M00104	VALVE CORE

**Expanded Model Nomenclature**

- |                   |
|-------------------|
| M1 - GSZC702410AA |
| M2 - GSZC703610AA |
| M3 - GSZC704810AA |
| M4 - GSZC706010AA |

# Cabinet Top and Louver Panel Assembly



TOP PANEL AND  
LOUVER PANEL  
ASSEMBLY MAY  
DIFFER FROM  
WHAT IS SHOWN

LOUVER PANEL ASSEMBLY



# Cabinet Top and Louver Panel Assembly

Ref. Part No:	Part No:	Description:	Ref. Part No:	Part No:	Description:
---------------	----------	--------------	---------------	----------	--------------

**Image 1:**

11	0121R00936PDG	TOP PANEL 35"			
21	0152R00027	GRILL, WIRE 35. TOP			
31	0131M00804	MOTOR, ECM (M3, M4)			
31	0131M00827	MOTOR, ECM (M1, M2)			
41	M0280801	HEX NUT (QTY 4)			
51	0150M00054	FAN BLADE, 26"			
61	0161R00088	CAP, GRILL			
71	0163M00003P	SCREW #10 X 1/2, A, SLOT, SR, BLACK (QTY 6)			
81	0161R00105	35" VENTURI CFS			
91	0163M00385	CONDUIT-FLEXIBLE			
111	0121R00228PDG	PANEL 1, LOUVER 35, 5MM, PNT (M2)			
111	0121R00593PDG	PANEL 1, LOUVER 35_39.84 PNT (M3, M4)			
111	0121R00229PDG	PANEL 1, LOUVER 35, 37.8 5MM, PNT (M1)			
121	0121R00232PDG	PANEL 2, LOUVER 35 (M1)			
121	0121R00231PDG	PANEL 2, LOUVER 35, 5MM, PNT (M2)			
121	0121R00595PDG	PANEL 2, LOUVER 35_39.84 PNT (M3, M4)			
131	0121R00235PDG	PANEL 3, LOUVER 35, 37.8 (M1)			
131	0121R00234PDG	PANEL 3, LOUVER 35, 5MM, PNT (M2)			
131	0121R00597PDG	PANEL 3, LOUVER 35_39.84 PNT (M3, M4)			
141	0201R00834	COIL TUBING ASSY (M1)			
141	0201R00835	COIL TUBING ASSY (M2)			
141	0201R00836	COIL TUBING ASSY (M3, M4)			
181	0130M00502	OUTDOOR COIL TEMP SENSOR (M3, M4)			
181	0130M00852	OUTDOOR COIL TEMP SENSOR (M1, M2)			

**Expanded Model Nomenclature**

M1 - GSZC702410AA
M2 - GSZC703610AA
M3 - GSZC704810AA
M4 - GSZC706010AA