

# G SERIES

## Double Inlet Belt Drive Blowers



### PERFORMANCE SPECIFICATIONS

TYPICAL MAXIMUM CFM @ SP					
MODEL	1/2" SP	1" SP	1 1/2" SP	2" SP	2 1/2" SP
G7-5	1100	1000	950	875	825
G7	2610	2525	2450	2325	2250
G9-7	3220	3100	3020	2900	2800
G9	4450	4350	4250	4100	4000
G10-8	3780	3640	3500	3350	3180
G10	5500	5200	5000	4700	4500
G12-9	5000	4700	4450	4100	3800
G12	6500	6300	6000	5700	5500
G15-10	7100	6900	6700	6400	6100
G15	9750	9250	9000	8500	8250
G18-13	10500	10000	9500	9150	8500
G18	12500	12000	11250	10250	9500

CFM values are listed above are summarized for convenience only.

FOR FAN CURVES & FULL PERFORMANCE DATA, CONSULT OUR DELAIR SOFTWARE. DOWNLOAD DELAIR @ [WWW.CANARM.COM/DELAIR](http://WWW.CANARM.COM/DELAIR)

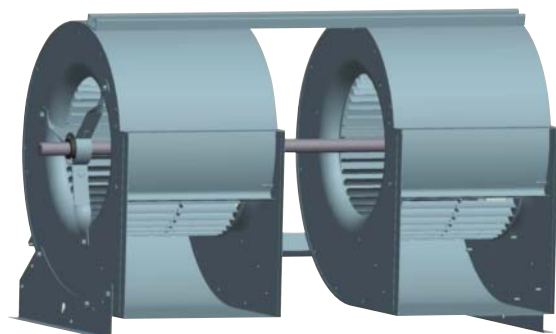
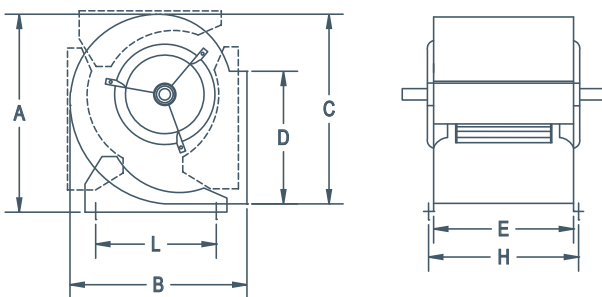
### FEATURES

- Sleeve or ball bearing models available.
- Base feet can be mounted for various discharge positions.
- Motor mounting hardware included with each blower.
- Corrosion resistant G90 galvanized steel blower housing.
- Capacity range 200 to 8000 CFM.
- The blower wheel has an exclusive centre disc which allows blowers to be used safely at speeds well above any normal requirement.
- Blower housings have extruded holes to give greater holding power for mounting base sides and motor bracket.
- Matte finish zinc coated wheel and cut-off baffle.
- Shaft dimensions and finish are carefully controlled to ensure quiet, trouble free operation.
- Available with permanently lubricated sleeve bearings suitable for operation in ambient temperatures of +30 to +120 deg. F and under 1000 RPM OR Ball bearings with a sealed lifetime supply of lubricant for operation in ambient temperatures of -65 to +250 deg. F (optional).
- Shafts for ball bearing models have keywayed ends. Sleeve bearing model shafts have flats.

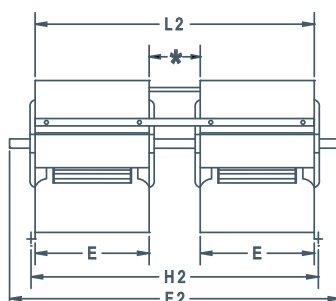


Call for pricing & availability.

### DIMENSIONS



"G" Series Twin Units - \* Spacing will determine "L2" and "F2" dimensions.



MODEL	A	B	C	D	E	H	L	SHAFT DIAMETER	WHEEL DIAMETER	WHEEL WIDTH	UNIT WEIGHT (LBS) (without motor & drives)
G7-5	14 5/16"	12 5/16"	12 11/16"	8 1/4"	6 7/8"	7 7/8"	9 5/8"	3/4"	8 1/16"	4 15/16"	13
G7	14 5/16"	12 5/16"	12 11/16"	8 1/4"	9 3/16"	10 3/16"	9 5/8"	3/4"	8 1/16"	7 3/16"	15
G9-7	16 15/16"	15 1/16"	15 9/16"	10 1/4"	9 3/16"	10 3/16"	11 3/4"	3/4"	10 1/4"	7 3/16"	19
G9	16 15/16"	15 1/16"	15 9/16"	10 1/4"	11 13/16"	12 13/16"	11 3/4"	3/4"	10 1/4"	9 9/16"	21
G10-8	19"	16 3/4"	17 3/8"	11 3/8"	10 1/2"	11 1/2"	13 3/8"	3/4"	11 1/8"	8 1/16"	23
G10	19"	16 3/4"	17 3/8"	11 3/8"	13 1/8"	14 1/8"	13 3/8"	3/4"	11 9/16"	10 13/16"	25
G12-9	22 1/8"	19 1/2"	20 5/8"	13 7/16"	12 1/4"	13 1/4"	16 1/8"	3/4"	12 7/8"	9 9/16"	29
G12	22 1/8"	19 1/2"	20 5/8"	13 7/16"	15 5/8"	16 5/8"	16 1/8"	3/4" or 1"	12 7/8"	12 13/16"	34
G15-10	25 3/4"	22 11/16"	24 1/4"	15 7/8"	14 11/16"	15 11/16"	19 1/2"	1"	15 1/2"	10 13/16"	48
G15	25 3/4"	22 11/16"	24 1/4"	15 7/8"	18 5/8"	19 5/8"	19 1/2"	1"	15 1/2"	15 1/16"	56
G18-13	30 1/2"	27"	29"	18 7/8"	17 3/8"	18 3/8"	24"	1"	18 1/2"	15 1/16"	67
G18	30 1/2"	27"	29"	18 7/8"	21 7/8"	22 7/8"	24"	1"	18 1/2"	18 1/2"	87