

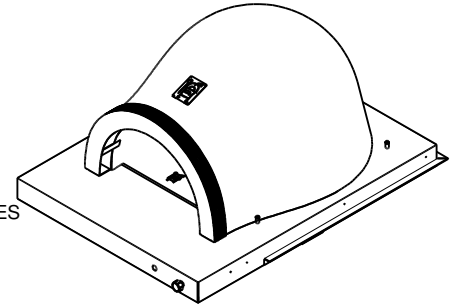


**FIRE INSPIRED®**

**Hearth Products Controls Co**  
**OUTDOOR USE ONLY**

**FOR COMMERCIAL AND RESIDENTIAL USE**

**HEARTH PRODUCTS CONTROLS**  
 2225 LYONS RD.  
 MIAMISBURG, OH 45342  
 TOLL FREE: 877.585.9800  
 PHONE: 937.436.9800  
 www.hpcfire.com

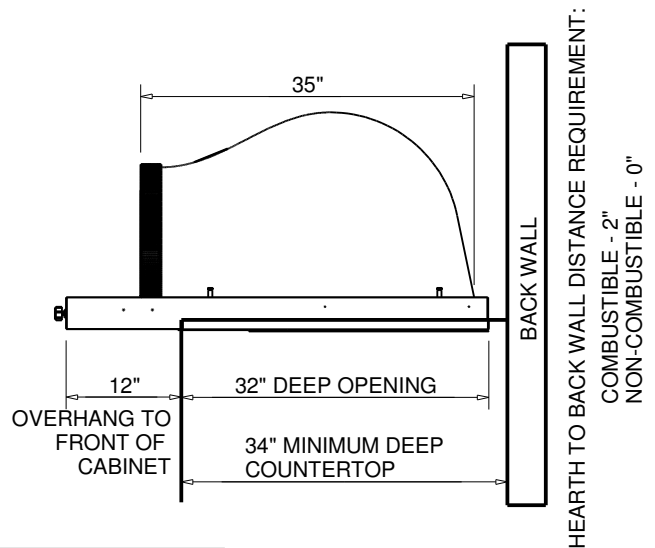
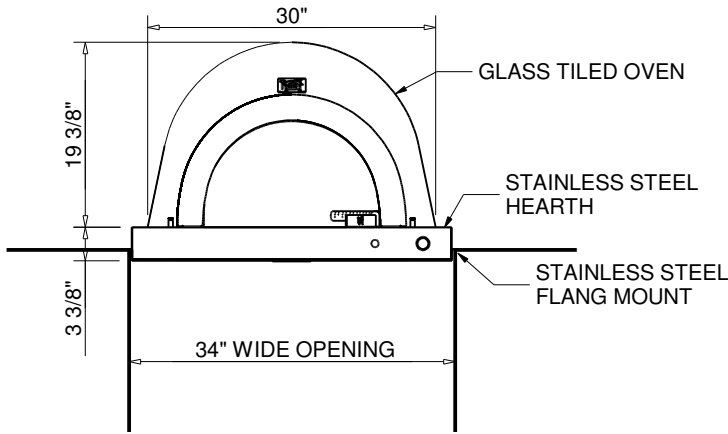


**VILLA SERIES**

**SPECIFICATIONS:**

1. HYBRID - OFFERS BOTH GAS AND WOOD BURNING
2. ELECTRONIC IGNITION
  - 120VAC OR BATTERY OPERATED
3. 304 STAINLESS STEEL STRUCTURE HEARTH
4. COMPLETE TILED OVEN
5. MULTI-PURPOSE
  - SMOKER
  - OVEN
  - PIZZA

6. UNIQUE VENT DESIGN
  - SLEEK DESIGN
  - RETAINS MORE HEAT
7. OPTION: LP OR NG GAS
8. 10 DIFFERENT OPTIONAL ACCESSORIES
  - SEE WEBSITE OR CATALOG



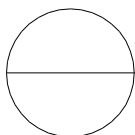
TILE COLOR	MODEL NUMBER
OCEAN BLUE	FDP-VILLA/OB-EI
POOL BLUE	FDP-VILLA/PB-EI
SIMPLY RED	FDP-VILLA/SR-EI
BLACK ONYX	FDP-VILLA/BLX-EI
RETRO	FDP-VILLA/RETRO-EI
COPPER	FDP-VILLA/COPPER-EI
CUSTOM COLOR	FDP-VILLA/CUSTOM-EI

**Notes:**

1. GAS SUPPLY - FOR USE WITH FIXED PIPING SYSTEMS OR FOR USE WITH SMALL TANKS UP TO 90K.
  - Natural Gas: Operating Supply Pressure: Minimum: 6.0" W.C.; Maximum: 7.0" W.C.
  - LP Gas: Operating Supply Pressure: Minimum: 10.0" W.C.; Maximum: 11.0" W.C..

**IMPORTANT:** Ensure any flex line that may be used from the permanent main fuel supply to the product is rated to the stated max btu of the product and certified to ANSI Z21.75/CSA 6.27.

2. MODIFICATION OF PRODUCT WILL VOID ANY CERTIFICATION AND WARRANTY.
3. FOLLOW ALL MANUFACTURER INSTALLATION INSTRUCTIONS AND LOCAL CODES.
4. ALL DIMENSIONS ARE CONSIDERED TRUE AND REFLECT MANUFACTURER'S SPECIFICATIONS AS OF THE REVISION DATE.
5. DO NOT SCALE DRAWING.
6. THESE DRAWINGS ARE FOR SIZING AND PLANNING PURPOSES. ALL INFORMATION CONTAINED HEREIN WAS CURRENT AT THE TIME OF DEVELOPMENT. THE MANUFACTURER'S RESPONSIBLE FOR THE ACCURACY OF THE DRAWING.



**HPC HYBRID OVEN - VILLA SERIES**

**GLASS TILED OVEN - STAINLESS STEEL HEARTH - VENT - FLANGE MOUNT**