

## RSA1(B,Q)D Series

### High Efficiency Air Conditioner

13+ SEER

1.5 - 4 Ton Capacity

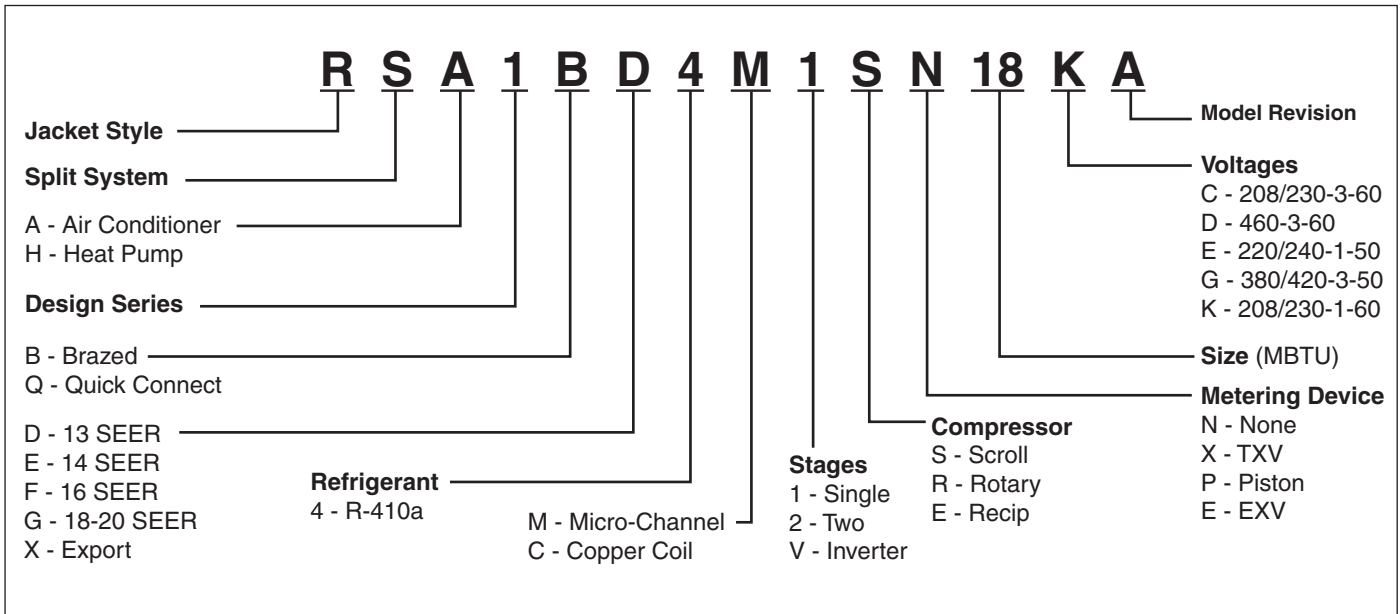
The RSA1(B,Q)D unit, when combined with our matched indoor coils, offers a full line of quality, split-system air conditioning systems. Units are ideally sized for manufactured housing applications.



### FEATURES and BENEFITS

- **Designed Using Galvanized Steel:** With a polyester urethane coat finish, it passes 950 hours of salt spray per ASTM Std. B117.
- **Composite Base Pan:** Absorbs sound and is corrosion resistant. Composite is also stronger and lighter than steel.
- **Louvered Condenser Guard:** Durable metal guard protects the coil from yard hazards and extreme weather.
- **Removable Top Grille Assembly:** Allows ease of service from the top without disconnecting fan motor leads.
- **High Pressure Switch:** Protects against abnormally high system pressures. Auto-reset feature prevents nuisance service visits.
- **Liquid Line Filter Drier:** RSA1QD-Factory installed; RSA1BD-field installed
- **One Piece Top/Orifice:** Designed for maximum airflow and quiet operation.
- **Easy Compressor and Control Access:** Designed to make servicing easier for the contractor, access panels are provided to all controls and the compressor from the side of the unit.
- **Micro-Channel:** All aluminum coils in 1.5-5 ton models which provides high corrosion resistance.
- **Service-Friendly Jacket:** Side panels can be easily removed and replaced without removing the top grill.

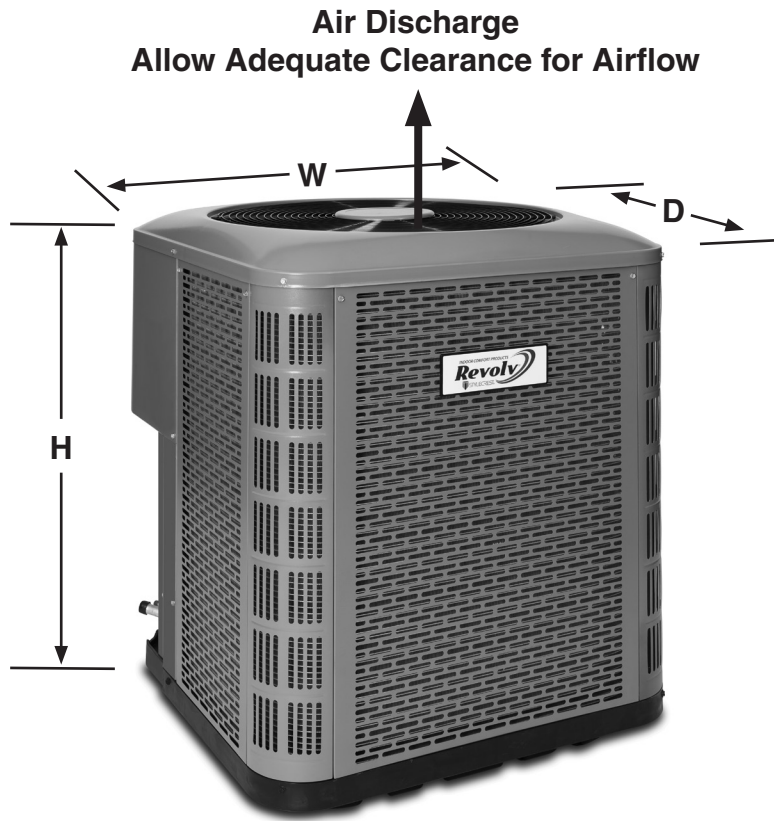
# MODEL IDENTIFICATION CODES



**DIMENSIONS**  
**AIR CONDITIONER OUTDOOR SECTION**

| RSA1BD | 18K   | S24KA | 30K   | 36K   | 42K   | 48K   |
|--------|-------|-------|-------|-------|-------|-------|
| H      | 24.5  | 23    | 28.5  | 28.5  | 29.25 | 29.25 |
| W      | 23.75 | 22.75 | 23.75 | 23.75 | 31.75 | 31.75 |
| D      | 23.75 | 22.75 | 23.75 | 23.75 | 31.75 | 31.75 |

| RSA1QD | S24KA | 30KA  | 36KA  | 42K   | 48K   |
|--------|-------|-------|-------|-------|-------|
| H      | 23    | 28.5  | 36.6  | 29.25 | 29.25 |
| W      | 22.75 | 23.75 | 23.75 | 31.75 | 31.75 |
| D      | 22.75 | 23.75 | 22.75 | 31.75 | 31.75 |



# PHYSICAL AND ELECTRICAL SPECIFICATIONS / OUTDOOR UNITS

## 13 SEER — High Efficiency — Single Phase

| Model Number RSA1BD   |                                 | 18K          | S24KA        | 30K          | 36K          | 42K          | 48K          |      |
|---|---------------------------------|--------------|--------------|--------------|--------------|--------------|--------------|------|
| Electrical Data   | Volts-Cycles-Phase (1)          | 208/230-60-1 | 208/230-60-1 | 208/230-60-1 | 208/230-60-1 | 208/230-60-1 | 208/230-60-1 |      |
|   | Total Amps                      | 9.7          | 11.6         | 14.8         | 17.8         | 19.3         | 23.2         |      |
|   | Max. Overcurrent Protection (2) | 20           | 25           | 30           | 35           | 40           | 50           |      |
|   | Min. Circuit Ampacity           | 12.0         | 14.3         | 18.3         | 22.0         | 23.0         | 28.6         |      |
|   | Fan Motor                       | HP           | 0.13         | 0.10         | 0.13         | 0.25         | 0.25         | 0.25 |
| Compressor Data   |                                 | LRA          | 56.6         | 61.6         | 73           | 79           | 112          | 117  |
| Refrigerant suction line O.D. NOTE:<br>Liquid line is 3/8" O.D. for entire length |                                 | 0-24 ft.     | 3/4"         | 3/4"         | 3/4"         | 3/4"         | 7/8"         | 7/8" |
|   |                                 | 25-39 ft.    | 3/4"         | 3/4"         | 3/4"         | 7/8"         | 7/8"         | 7/8" |
|   |                                 | 40-75 ft.    | 3/4"         | 3/4"         | 3/4"         | 7/8"         | 7/8"         | 7/8" |
| Approximate Weight (lbs.)   |                                 | Net          | 113          | 96           | 119          | 123          | 173          | 175  |
|   |                                 | Ship         | 126          | 121          | 133          | 137          | 194          | 196  |
| Sound Rating db   |                                 |              | 74           | 74           | 74           | 76           | 79           | 78   |

| Model Number RSA1QD   |                                 | 24K          | S24KA        | 30K          | 30KA         | 36K          | 36KA         | 42K          | 48K          |      |
|---|---------------------------------|--------------|--------------|--------------|--------------|--------------|--------------|--------------|--------------|------|
| Electrical Data   | Volts-Cycles-Phase (1)          | 208/230-60-1 | 208/230-60-1 | 208/230-60-1 | 208/230-60-1 | 208/230-60-1 | 208/230-60-1 | 208/230-60-1 | 208/230-60-1 |      |
|   | Max. Overcurrent Protection (2) | 20           | 25           | 20           | 20           | 35           | 25           | 40           | 50           |      |
|   | Min. Circuit Ampacity           | 12.7         | 14.3         | 13.3         | 13.1         | 20.1         | 16.4         | 23.0         | 28.6         |      |
|   | Fan Motor                       | HP           | 0.1          | 0.1          | 0.1          | 0.1          | 0.25         | 0.25         | 0.25         | 0.25 |
|   | Compressor Data                 |              | LRA          | 60           | 50           | 60           | 69           | 84           | 67           | 112  |
| Refrigerant suction line O.D. NOTE:<br>Liquid line is 3/8" O.D. for entire length |                                 | 0-24 ft.     | 3/4"         | 3/4"         | 3/4"         | 3/4"         | 3/4"         | 7/8"         | 7/8"         |      |
|   |                                 | 25-39 ft.    | 3/4"         | 3/4"         | 3/4"         | 3/4"         | 7/8"         | 7/8"         | 7/8"         | 7/8" |
|   |                                 | 40-75 ft.    | 3/4"         | 3/4"         | 3/4"         | 3/4"         | 7/8"         | 7/8"         | 7/8"         | 7/8" |
| Approximate Weight (lbs.)   |                                 | Net          | 119          | 96           | 122          | 140          | 139          | 143          | 172          | 172  |
|   |                                 | Ship         | 133          | 121          | 136          | 149          | 155          | 151          | 193          | 193  |
| Sound Rating db   |                                 |              | 72           | 74           | 72           | 75           | 73           | 75           | 78           | 78   |

(1) Operating Voltage Range: 187v min. - 253v max.

(2) HACR Type Circuit Breakers may be used.

(3) Requires 7/8" to 3/4" reducer from line to unit.

(4) Requires 7/8" to 1-1/8" reducer from line to unit.

(5) Additional charge for line sets above 20 feet.

Values based on suction line as follows with 3/8" liquid line.

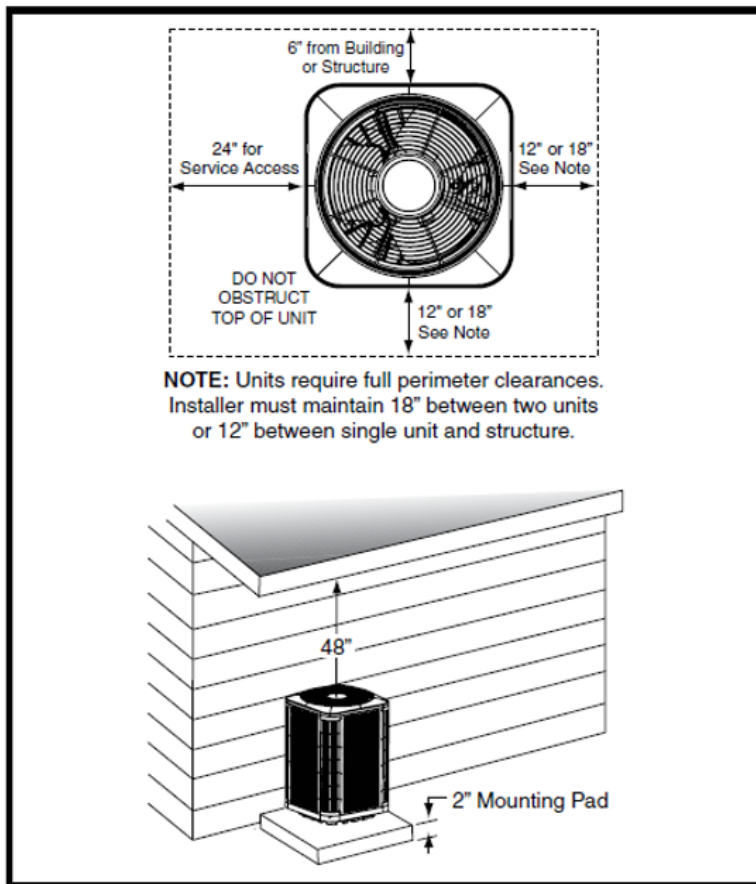
a) 3/4" = 0.6 oz. per additional foot.

b) 7/8" = 0.7 oz. per additional foot.

c) 1-1/8" = 0.8 oz. per additional foot.

(6) For additional charging instructions please refer to the QRD.

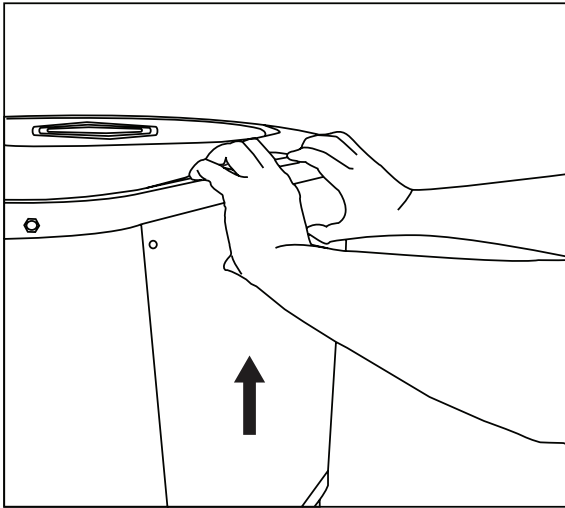
## CLEARANCES



## RSA1(B,Q)D ACCESSORIES

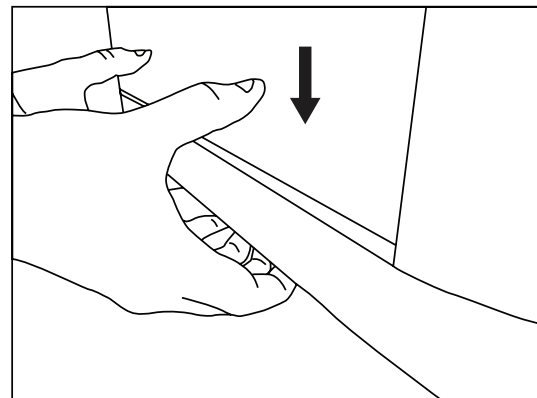
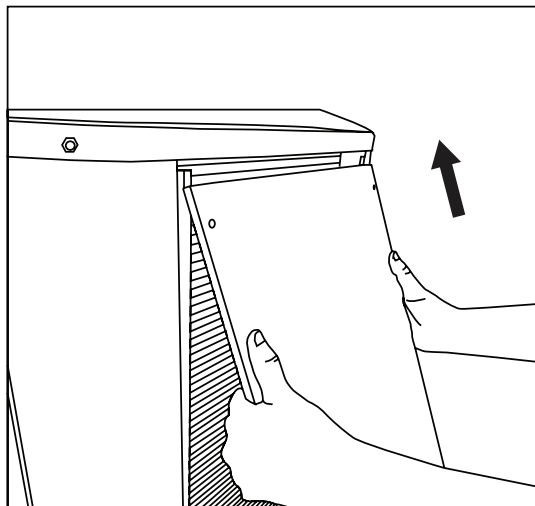
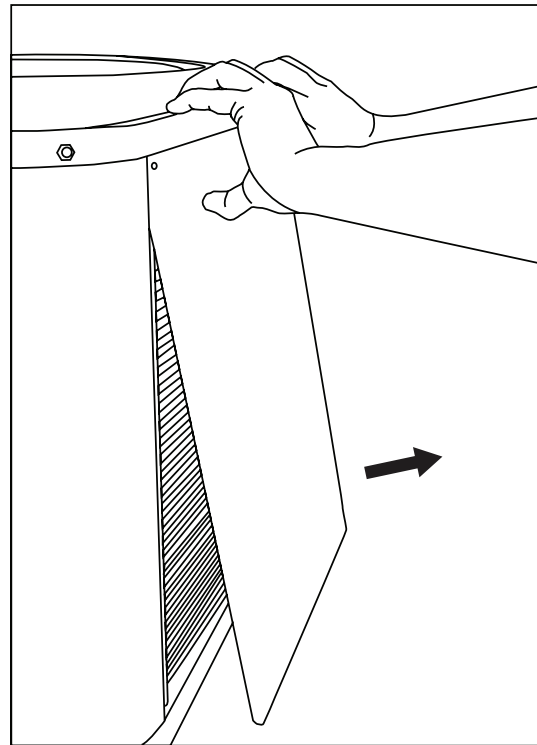
| Description   | Part Number |
|---|-------------|
| Start Assist Kit - Provides additional starting torque for the compressor motor when operating with low line voltage or high operating temperatures.  | 912933      |
| Fan Delay Kit (TDR) - 80-second fan delay.  | 918476      |
| Insulated Pre-Charged Line Sets - A line set consists of a liquid line, an insulated suction line, service gaugeports, and the quick-connect coupling. 15, 20, 25, 30, 40, and 50 ft. lengths are available. Lines are factory pre-charged such that no additional refrigerant charge is required on matched systems. |             |
| Outdoor Thermostat - Two-stage logic provides ability to lock out electric strips down to balance point and bring on in stages.   | 913852      |

## PANEL REMOVAL AND REPLACEMENT INSTRUCTIONS



### Removing Panels:

1. Remove screws.
2. Pull up on panel.
3. Rotate bottom of panel out.
4. Pull panel off.



### Reinstalling Panels:

1. Place panel back in towards top of unit.
2. Rotate bottom of panel inwards.
3. Push panel down until it fills gap at bottom of unit.
4. Replace screws.

# SYSTEM HEATING & COOLING CAPACITIES

## 13 SEER — High Efficiency — Single Phase

| With RG1 & RG7 Gas Furnace and M5 Oil Furnace |                 |             |                  |      |      |      |
|---|-----------------|-------------|------------------|------|------|------|
| Outdoor Unit                                  | Indoor Coil     | Coil Height | Cooling Capacity | SEER | EER  | SCFM |
| RSA1QD4M1SN24K                                | C8QAM024U-B     | 20"         | 23,400           | 13.0 | 10.5 | 705  |
| RSA1QD4M1SN24KA                               | C8QAM024U-B     | 20"         | 23,400           | 13   | 10.5 | 705  |
| RSA1QD4M1RN30K                                | C8QAM030U-B     | 20"         | 28,800           | 13.0 | 10.5 | 960  |
| RSA1QD4M1RN30KA                               | 1854*4A+TXV+TDR | 18 1/2"     | 27,000           | 13   | 10.5 | 1000 |
| RSA1QD4M1RN36K                                | C8QAM036U-B     | 20"         | 35,600           | 13.0 | 10.5 | 1190 |
| RSA1QD4M1RN36KA                               | 1845*4A+TXV+TDR | 24"         | 32,000           | 13   | 10.5 | 1100 |
| RSA1QD4M1RN36KA                               | 1854*4A+TXV+TDR | 18 1/2"     | 32,000           | 13   | 10.5 | 1100 |
| RSA1QD4M1SN42K                                | CM4Q-53U        | 18.5"       | 39,500           | 13.0 | 10.2 | 1200 |
| RSA1QD4M1SN48K                                | CM4Q-54U        | 18.5"       | 44,000           | 13.0 | 10.2 | 1415 |

|                 |                   |         |        |      |      |      |
|-----------------|-------------------|---------|--------|------|------|------|
| RSA1BD4M1SN18K  | C8(B,D)AM01830U-B | 20"     | 18,000 | 13.0 | 10.5 | 535  |
| RSA1BD4M1SN24KA | C8DAM01830U-B     | 20"     | 23400  | 13   | 10.5 | 705  |
| RSA1BD4M1SN30K  | C8(B,D)AM01830U-B | 20"     | 28,800 | 13.0 | 10.5 | 960  |
| RSA1BD4M1SN36K  | C8(B,D)AM036U-B   | 20"     | 35,600 | 13.0 | 10.5 | 1190 |
| RSA1BD4M1SN42K  | CM4B-53U          | 18.5"   | 39,500 | 13.0 | 10.2 | 1250 |
| RSA1BD4M1SN48K  | CM4B-54U          | 18.5"   | 44,500 | 13.0 | 10.2 | 1450 |
| RSA1BD4M1SN48K  | CM4B-56U          | 24.5" * | 45,500 | 13.0 | 10.2 | 1500 |

\* Requires 24" Coil Box

| With RE9 Furnace |                 |             |                  |      |      |      |
|------------------|-----------------|-------------|------------------|------|------|------|
| Outdoor Unit     | Indoor Coil     | Coil Height | Cooling Capacity | SEER | EER  | SCFM |
| RSA1QD4M1SN24K   | C8QAM024U-B     | 20"         | 23,400           | 13.0 | 10.5 | 705  |
| RSA1QD4M1SN24KA  | C8QAM024U-B     | 20"         | 23400            | 13   | 10.5 | 705  |
| RSA1QD4M1RN30K   | C8QAM030U-B     | 20"         | 28,800           | 13.0 | 10.5 | 960  |
| RSA1QD4M1RN30KA  | 1854*4A+TXV+TDR | 18 1/2"     | 27,000           | 13   | 10.5 | 1000 |
| RSA1QD4M1RN36K   | C8QAM036U-B     | 20"         | 35,600           | 13.0 | 10.5 | 1190 |
| RSA1QD4M1RN36KA  | 1845*4A+TXV+TDR | 24"         | 32,000           | 13   | 10.5 | 1100 |
| RSA1QD4M1RN36KA  | 1854*4A+TXV+TDR | 18 1/2"     | 32,000           | 13   | 10.5 | 1100 |
| RSA1QD4M1SN42K   | CM4Q-53U        | 18.5"       | 39,500           | 13.0 | 10.2 | 1200 |
| RSA1QD4M1SN48K   | CM4Q-54U        | 18.5"       | 44,000           | 13.0 | 10.2 | 1415 |

|                 |                   |       |        |      |      |      |
|-----------------|-------------------|-------|--------|------|------|------|
| RSA1BD4M1SN18K  | C8(B,D)AM01830U-B | 20"   | 18,000 | 13.0 | 10.5 | 535  |
| RSA1BD4M1SN24KA | C8DAM01830U-B     | 20"   | 23400  | 13   | 10.5 | 705  |
| RSA1BD4M1SN30K  | C8(B,D)AM01830U-B | 20"   | 28,800 | 13.0 | 10.5 | 960  |
| RSA1BD4M1SN36K  | C8(B,D)AM036U-B   | 20"   | 35,600 | 13.0 | 10.5 | 1190 |
| RSA1BD4M1SN42K  | CM4B-53U          | 18.5" | 40,000 | 13.0 | 10.2 | 1250 |
| RSA1BD4M1SN48K  | CM4B-54U          | 18.5" | 44,500 | 13.0 | 10.2 | 1450 |
| RSA1BD4M1SN48K  | CM4B-56U          | 24.5" | 46,500 | 13.0 | 10.2 | 1500 |

See current AHRI Directory for certified combinations and ratings.

[www.ahridirectory.org](http://www.ahridirectory.org)



### GENERAL TERMS OF LIMITED WARRANTY

For complete details of the Limited Warranty, including applicable terms and conditions, see your local installer or contact the Style Crest® warranty department for a copy.

Before purchasing this appliance, read important energy cost and efficiency information available from your retailer. Specifications and illustrations subject to change without notice and without incurring obligations. Printed in U.S.A (05/2022)