

RSA3(M,Q)E Series

High Efficiency Air Conditioner 14.3 SEER2 Manufactured Housing System 2 – 4 Ton Capacity

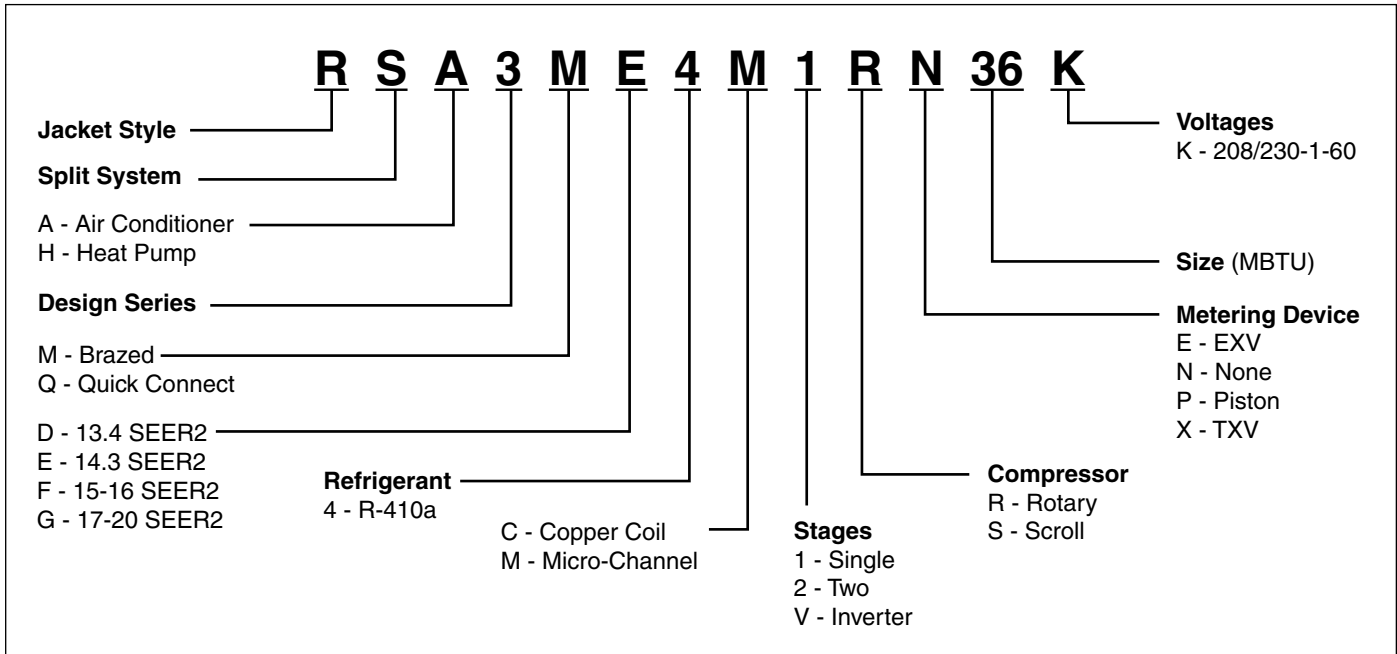
The RSA3(M,Q)E Series of air conditioners offer exceptional performance. The unit, when combined with our engineered coils or air handlers, offers a full line of quality, split system cooling equipment.



FEATURES and BENEFITS

- **Designed for Manufactured Housing:** Charged with refrigerant for 20 feet of lineset.
- **Full Service Valves on RSA3ME:** These brass valves are easily accessible and simplify servicing of the refrigeration system.
- **Quick Connect Fittings on RSA3QE:** No brazing or evacuation required, reducing install time.
- **Designed Using Galvanized Steel:** A powder-coated paint that eliminates sharp edges and reduces corrosion, fading, chipping and scratching. It passes 950 hours of salt spray per ASTM Std. B117.
- **Composite Base Pan:** Absorbs sound and is corrosion resistant. Composite is also stronger and lighter than steel.
- **Permanently Lubricated Motor:** A heavy duty PSC motor for long lasting reliability and quiet operation. Requires no maintenance and is completely protected from rain and snow.
- **Removable Top Grille Assembly:** Allows ease of service from the top without disconnecting fan motor leads.
- **High Pressure Switch:** Protects against abnormally high system pressures. Auto-reset feature prevents nuisance service visits.
- **Liquid Line Filter Drier:** Included with unit, factory installed on QE and field installed on BE models.
- **One Piece Top/Orifice:** Designed for maximum airflow and quiet operation.
- **Easy Compressor and Control Access:** Designed to make servicing easier for the contractor, access panels are provided to all controls and the compressor from the side of the unit.
- **All-Aluminum coils:** Aluminum coils in all models which provides high corrosion resistance.
- **Powder Coated Wire Guard and Mesh Hail Guard:** Will never rust and protects the coil from being damaged by balls, lawnmowers, hail, etc.

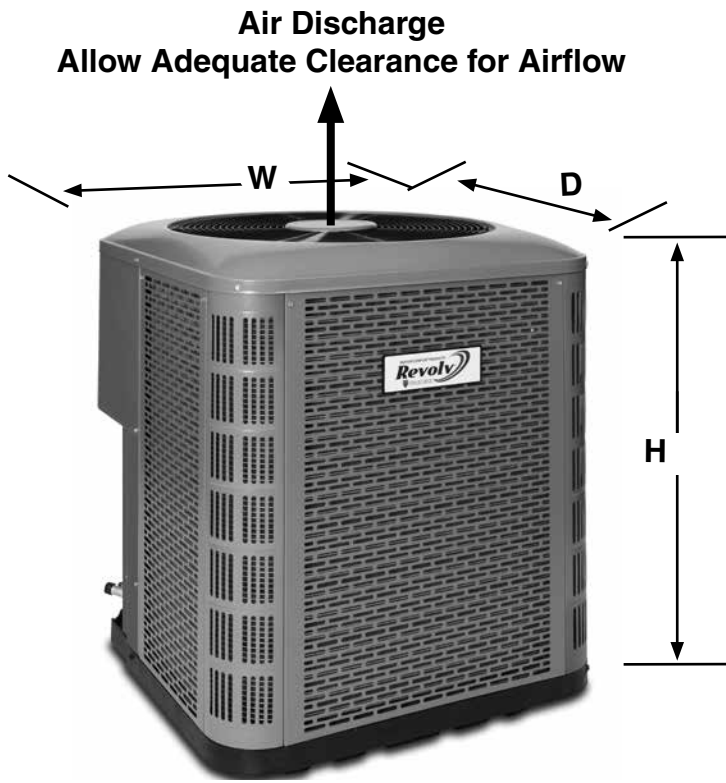
MODEL IDENTIFICATION CODES



DIMENSIONS

AIR CONDITIONER OUTDOOR SECTION

RSA3(M,Q)E	24K	30K	36K	42K	48K
H	29.25	33.25	33.25	41.25	41.25
W	31.75	31.75	31.75	31.75	31.75
D	31.75	31.75	31.75	31.75	31.75



PHYSICAL AND ELECTRICAL SPECIFICATIONS / OUTDOOR UNITS

14.3 SEER2 — High Efficiency — Single Phase

Model Number RSA3(M,Q)E4M1		RN24K	RN30K	SN36K	SN42K	SN48K	
Electrical Data	Volts-Cycles-Phase (1)		208/230-60-1				
	Delay Fuse Max. (2)		20	25	30	40	45
	Min. Circuit Ampacity		12.4	15.7	17.2	23.5	26.2
	Locked Rotor Amp		43.0	52.0	83.1	110.2	110.0
Fan Motor	HP	1/8	1/8	1/8	1/4	1/4	
Refrigerant suction line O.D. NOTE: Liquid line is 3/8" O.D. for entire length.	0-24 ft.	3/4"	3/4"	3/4"	7/8"	7/8"	
	25-39 ft.	3/4"	3/4"	7/8" (3)	7/8"	7/8"	
	40-75 ft.	3/4"	3/4"	7/8" (3)	7/8"	7/8"	
Approximate Shipping Weight (lbs.)	RSA3ME	152	161	167	205	205	
	RSA3QE	151	160	167	204	205	
Sound Rating (dBA)		75	75	75	79	79	

(1) Operating Voltage Range: 187v min. - 253v max.

(2) HACR Type Circuit Breakers may be used.

(3) Requires 7/8" to 3/4" reducer from line to unit.

ACCESSORIES - Condensing Unit

Start Assist Kit - 912933

Provides additional starting torque for the compressor motor when operating with low line voltage or high operating temperatures.

Low Ambient Kit - 918837

SYSTEM COOLING CAPACITIES

14.3 SEER2 — High Efficiency — Single Phase

Manufactured Housing Gas Furnace						
Outdoor Unit	Indoor Unit	BTUH	SEER2	EER2	CFM	AHRI DTC
RSA3ME4M1RN24K	C84DAMX24U-B	23,400	14.3	11.7	800	YES
RSA3ME4M1RN30K	C84DAMX30U-B	28,400	14.3	11.7	1,005	YES
RSA3ME4M1SN36K	C84DAMX36U-B	35,000	14.3	11.7	1,180	YES
RSA3ME4M1SN42K	C84DAMX42U-B	39,500	14.3	11.7	1,230	YES
RSA3ME4M1SN48K	C84DAMX48U-B	45,000	13.8	11.2	1,410	YES
RSA3QE4M1RN24K	C84QAMX24U-B	23,400	14.3	11.7	800	YES
RSA3QE4M1RN30K	C84QAMX30U-B	28,400	14.3	11.7	1,005	YES
RSA3QE4M1SN36K	C84QAMX36U-B	35,000	14.3	11.7	1,180	YES
RSA3QE4M1SN42K	C84QAMX42U-B	39,500	14.3	11.7	1,230	YES
RSA3QE4M1SN48K	C84QAMX48U-B	45,000	13.8	11.2	1,410	YES

See current AHRI Directory for certified combinations and ratings. All ratings are with time delay relay.
www.ahridirectory.org

COOLING EXPANDED RATINGS WITH COIL

RSA3(M,Q)E4M1RN24K + C84(D,Q)AMX24U-B

CFM	O.D.T		65°F			75°F			85°F			95°F			105°F			115°F		
	E.D.B.	E.W.B.	T.C.	S.C.	K.W.	T.C.	S.C.	K.W.	T.C.	S.C.	K.W.	T.C.	S.C.	K.W.	T.C.	S.C.	K.W.	T.C.	S.C.	K.W.
700	80	62	24.8	21.1	1.38	23.9	20.6	1.52	22.8	20.0	1.69	21.5	19.3	1.88	20.1	19.0	2.08	18.5	18.1	2.28
	80	67	27.1	17.8	1.35	26.1	17.4	1.50	24.9	16.8	1.68	23.5	16.3	1.88	22.0	15.5	2.09	20.3	14.9	2.30
	80	72	29.4	14.5	1.31	28.4	14.1	1.47	27.1	13.6	1.67	25.6	13.0	1.87	23.9	12.3	2.09	22.1	11.6	2.31
	75	62	24.7	17.9	1.38	23.9	17.5	1.52	22.8	17.0	1.69	21.4	16.3	1.88	20.0	15.6	2.08	18.5	14.9	2.28
	75	67	26.9	14.6	1.35	26.0	14.2	1.50	24.8	13.7	1.68	23.4	13.1	1.88	21.9	12.4	2.09	20.2	11.7	2.29
800	80	62	25.4	22.3	1.41	24.4	21.8	1.56	23.3	21.4	1.73	21.9	20.9	1.92	20.5	20.0	2.12	19.0	19.0	2.33
	80	67	27.7	18.8	1.38	26.6	18.3	1.53	25.4	17.8	1.72	24.0	17.2	1.92	22.3	16.6	2.13	20.5	15.6	2.34
	80	72	30.1	15.1	1.33	29.0	14.7	1.50	27.8	14.2	1.70	26.1	13.5	1.91	24.3	12.8	2.13	22.4	12.1	2.35
	75	62	25.3	18.8	1.41	24.4	18.5	1.56	23.2	17.8	1.73	21.8	17.2	1.92	20.3	16.6	2.12	18.7	16.0	2.32
	75	67	27.5	15.2	1.38	26.6	14.8	1.54	25.3	14.3	1.72	23.9	13.7	1.92	22.2	13.0	2.13	20.5	12.2	2.34
900	80	62	25.8	23.9	1.45	24.8	23.4	1.59	23.6	22.8	1.77	22.2	21.9	1.96	20.9	20.9	2.17	19.5	19.5	2.37
	80	67	28.1	19.7	1.41	27.1	19.2	1.57	25.8	18.7	1.76	24.2	18.0	1.96	22.6	17.2	2.17	20.7	16.7	2.38
	80	72	30.5	15.6	1.36	29.4	15.2	1.54	28.0	14.6	1.74	26.4	14.0	1.95	24.5	13.3	2.17	22.6	12.6	2.39
	75	62	25.7	19.7	1.45	24.8	19.3	1.59	23.5	18.7	1.77	22.1	18.3	1.96	20.6	17.6	2.16	18.9	16.8	2.37
	75	67	28.0	15.8	1.41	27.0	15.3	1.57	25.7	14.8	1.76	24.1	14.2	1.96	22.5	13.5	2.17	20.7	12.7	2.38

RSA3(M,Q)E4M1RN30K + C84(D,Q)AMX30U-B

CFM	O.D.T		65°F			75°F			85°F			95°F			105°F			115°F		
	E.D.B.	E.W.B.	T.C.	S.C.	K.W.	T.C.	S.C.	K.W.	T.C.	S.C.	K.W.	T.C.	S.C.	K.W.	T.C.	S.C.	K.W.	T.C.	S.C.	K.W.
875	80	62	30.5	26.1	1.68	29.3	25.5	1.89	27.7	24.3	2.08	25.8	23.9	2.28	23.8	22.9	2.50	21.9	21.8	2.74
	80	67	33.5	21.8	1.65	32.1	21.3	1.87	30.3	20.5	2.07	28.3	19.7	2.28	26.2	18.8	2.51	24.0	17.8	2.77
	80	72	36.4	17.7	1.62	34.9	17.1	1.84	33.0	16.4	2.05	30.8	15.5	2.28	28.5	14.6	2.52	26.2	13.7	2.78
	75	62	30.4	22.0	1.68	29.2	21.4	1.89	27.6	20.7	2.08	25.8	19.8	2.28	23.8	18.9	2.50	21.9	18.0	2.74
	75	67	33.3	17.9	1.66	32.0	17.4	1.87	30.2	16.5	2.07	28.2	15.6	2.28	26.1	14.7	2.51	24.0	13.8	2.76
1005	80	62	31.3	27.8	1.73	29.9	27.1	1.93	28.2	26.5	2.13	26.3	25.5	2.33	24.3	24.3	2.55	22.6	22.6	2.81
	80	67	34.2	23.1	1.70	32.8	22.6	1.92	30.9	21.8	2.12	28.8	20.9	2.33	26.5	19.9	2.57	24.3	19.0	2.82
	80	72	37.2	18.5	1.67	35.6	17.8	1.89	33.6	17.0	2.10	31.3	16.1	2.33	28.9	15.2	2.57	26.5	14.3	2.84
	75	62	31.2	23.3	1.73	29.8	22.6	1.93	28.2	21.9	2.13	26.2	21.0	2.33	24.2	20.1	2.55	22.1	19.1	2.80
	75	67	34.1	18.6	1.70	32.7	18.1	1.92	30.8	17.2	2.12	28.7	16.4	2.33	26.5	15.3	2.56	24.3	14.4	2.82
1125	80	62	31.8	28.8	1.77	30.4	28.8	1.98	28.6	27.8	2.18	26.7	26.7	2.38	25.0	25.0	2.61	23.2	23.2	2.86
	80	67	34.8	24.2	1.74	33.3	23.7	1.96	31.3	22.8	2.17	29.0	21.7	2.38	26.8	21.0	2.62	24.5	19.7	2.88
	80	72	37.8	19.1	1.71	36.1	18.4	1.93	34.0	17.6	2.15	31.7	16.7	2.37	29.2	15.8	2.62	26.7	14.8	2.89
	75	62	31.7	24.4	1.77	30.3	23.8	1.98	28.6	23.0	2.18	26.5	22.1	2.38	24.4	20.9	2.60	22.3	20.1	2.85
	75	67	34.7	19.3	1.74	33.1	18.7	1.96	31.2	17.9	2.17	28.8	16.6	2.38	26.8	15.9	2.62	24.5	15.0	2.87

RSA3(M,Q)E4M1SN36K + C84(D,Q)AMX36U-B

CFM	O.D.T		65°F			75°F			85°F			95°F			105°F			115°F		
	E.D.B.	E.W.B.	T.C.	S.C.	K.W.	T.C.	S.C.	K.W.	T.C.	S.C.	K.W.	T.C.	S.C.	K.W.	T.C.	S.C.	K.W.	T.C.	S.C.	K.W.
1050	80	62	38.6	32.3	2.14	36.6	31.6	2.35	34.6	30.1	2.58	32.6	29.6	2.84	30.3	28.6	3.12	27.5	27.0	3.43
	80	67	41.8	27.1	2.15	39.8	26.3	2.36	37.9	25.3	2.59	35.8	24.5	2.85	33.4	23.3	3.13	30.6	22.2	3.43
	80	72	44.8	21.9	2.17	42.7	20.9	2.37	40.7	20.1	2.59	38.7	19.4	2.85	36.2	18.4	3.13	33.0	17.1	3.42
	75	62	38.5	27.6	2.14	36.5	26.6	2.35	34.6	25.7	2.58	32.5	24.7	2.83	30.4	23.5	3.12	27.6	21.9	3.42
	75	67	41.6	22.3	2.16	39.7	21.5	2.36	37.7	20.6	2.59	35.7	19.7	2.85	33.4	18.6	3.13	30.4	17.4	3.43
1195	80	62	39.5	34.3	2.21	37.3	32.8	2.41	35.3	32.5	2.64	33.2	31.6	2.90	30.8	30.3	3.19	28.3	28.3	3.50
	80	67	42.7	28.4	2.22	40.6	27.6	2.43	38.5	26.8	2.66	36.3	25.9	2.91	33.9	24.7	3.19	30.9	23.2	3.49
	80	72	45.7	22.6	2.24	43.5	21.8	2.44	41.4	21.0	2.66	39.3	20.1	2.91	36.8	19.1	3.18	33.4	17.8	3.47
	75	62	39.3	29.0	2.21	37.2	28.0	2.41	35.2	27.1	2.64	33.1	26.1	2.90	30.9	24.9	3.18	28.0	23.1	3.48
	75	67	42.6	23.2	2.23	40.5	22.2	2.43	38.4	21.3	2.66	36.3	20.5	2.91	33.9	19.4	3.19	30.9	18.1	3.49
1350	80	62	40.2	36.3	2.28	37.9	35.6	2.48	35.8	34.6	2.71	33.6	33.1	2.97	31.6	31.6	3.25	29.1	29.1	3.56
	80	67	43.4	29.8	2.29	41.3	29.0	2.50	39.1	28.1	2.72	36.8	27.2	2.98	34.3	25.9	3.26	31.2	24.5	3.55
	80	72	46.4	23.5	2.31	44.1	22.6	2.51	42.0	21.7	2.72	39.8	20.8	2.97	37.2	19.8	3.25	33.7	18.5	3.54
	75	62	40.0	30.5	2.28	37.8	29.5	2.48	35.7	28.6	2.71	33.5	27.6	2.96	31.2	26.3	3.25	28.3	24.4	3.55
	75	67	43.2	24.0	2.30	41.1	23.1	2.50	39.0	22.1	2.72	36.7	21.2	2.97	34.4	20.1	3.25	31.2	18.6	3.55

COOLING EXPANDED RATINGS WITH COIL

RSA3(M,Q)E4M1SN42K + C84(D,Q)AMX42U-B

CFM	O.D.T		65°F			75°F			85°F			95°F			105°F			115°F		
	E.D.B.	E.W.B.	T.C.	S.C.	K.W.	T.C.	S.C.	K.W.	T.C.	S.C.	K.W.	T.C.	S.C.	K.W.	T.C.	S.C.	K.W.	T.C.	S.C.	K.W.
1230	80	62	42.1	36.3	2.41	40.1	35.5	2.61	38.2	34.3	2.85	36.3	33.7	3.11	34.1	32.8	3.41	31.6	31.1	3.72
	80	67	45.8	30.3	2.40	43.7	29.3	2.61	41.9	28.6	2.85	39.8	27.8	3.13	37.6	26.9	3.42	34.7	25.3	3.74
	80	72	49.1	24.2	2.39	46.9	23.3	2.61	45.2	22.7	2.85	43.3	21.9	3.12	40.9	21.0	3.42	37.7	19.7	3.74
	75	62	42.0	30.7	2.41	40.0	29.8	2.61	38.1	28.9	2.85	36.3	28.0	3.11	34.2	26.9	3.40	31.6	25.4	3.71
	75	67	45.6	24.8	2.40	43.6	23.9	2.61	41.7	23.0	2.85	39.7	22.1	3.12	37.5	21.2	3.42	34.7	20.0	3.73
1400	80	62	43.0	38.6	2.48	40.9	37.3	2.68	38.8	36.9	2.92	36.9	35.9	3.19	34.7	34.4	3.48	32.5	32.5	3.80
	80	67	46.7	31.9	2.47	44.6	30.8	2.68	42.6	30.4	2.93	40.5	29.5	3.20	38.1	28.4	3.50	35.2	26.7	3.81
	80	72	50.0	25.2	2.46	48.0	24.4	2.68	45.9	23.5	2.92	43.9	22.7	3.20	41.5	21.7	3.50	38.2	20.5	3.81
	75	62	42.8	32.4	2.48	40.7	31.4	2.68	38.8	30.5	2.92	36.8	29.6	3.18	34.7	28.6	3.48	32.0	26.8	3.79
	75	67	46.5	25.7	2.47	44.3	24.8	2.69	42.4	24.0	2.93	40.3	23.0	3.20	38.0	22.1	3.49	35.1	20.7	3.80
1575	80	62	43.7	40.5	2.55	41.5	40.0	2.75	39.4	38.8	2.99	37.6	37.6	3.26	35.7	35.7	3.56	33.3	33.3	3.87
	80	67	47.4	33.2	2.55	45.2	32.3	2.76	43.2	31.8	3.00	40.9	30.9	3.27	38.6	29.9	3.57	35.5	28.5	3.88
	80	72	50.7	26.0	2.54	48.7	25.2	2.75	46.7	24.4	3.00	44.5	23.6	3.27	41.9	22.6	3.57	38.5	21.3	3.88
	75	62	43.5	34.0	2.55	41.3	33.1	2.75	39.3	32.2	2.99	37.3	31.2	3.26	35.1	30.0	3.55	32.3	28.4	3.86
	75	67	47.2	26.7	2.55	45.1	25.8	2.76	43.0	24.8	3.00	40.9	23.8	3.27	38.4	22.8	3.57	35.4	21.5	3.88

RSA3(M,Q)E4M1SN48K + C84(D,Q)AMX48U-B

CFM	O.D.T		65°F			75°F			85°F			95°F			105°F			115°F		
	E.D.B.	E.W.B.	T.C.	S.C.	K.W.	T.C.	S.C.	K.W.	T.C.	S.C.	K.W.	T.C.	S.C.	K.W.	T.C.	S.C.	K.W.	T.C.	S.C.	K.W.
1490	80	62	48.4	42.4	2.89	46.3	41.5	3.11	44.3	40.4	3.39	42.1	39.7	3.72	39.8	38.5	4.09	36.9	36.7	4.48
	80	67	52.6	35.6	2.89	50.3	34.5	3.12	48.2	33.5	3.41	46.0	32.6	3.75	43.4	31.5	4.13	40.3	30.1	4.51
	80	72	56.4	28.4	2.88	54.1	27.5	3.12	52.1	26.8	3.42	49.7	25.8	3.76	47.0	24.7	4.14	43.5	23.4	4.54
	75	62	48.3	35.8	2.89	46.1	34.7	3.11	44.1	33.7	3.39	42.0	32.6	3.72	39.6	31.5	4.09	36.7	30.1	4.48
	75	67	52.5	29.0	2.88	50.2	28.0	3.12	48.1	27.1	3.41	45.9	26.2	3.75	43.3	25.2	4.13	40.1	23.8	4.51
1600	80	62	49.0	44.0	2.94	46.8	42.8	3.16	44.6	42.0	3.44	42.5	41.0	3.77	40.1	39.5	4.14	37.5	37.5	4.53
	80	67	53.2	36.6	2.93	50.8	35.5	3.17	48.6	34.5	3.46	46.4	33.7	3.80	43.8	32.3	4.18	40.5	31.0	4.56
	80	72	56.9	29.1	2.93	54.6	28.2	3.17	52.5	27.3	3.47	50.2	26.4	3.81	47.4	25.4	4.19	43.8	24.1	4.59
	75	62	48.8	36.7	2.94	46.6	35.9	3.16	44.5	34.8	3.44	42.3	33.6	3.77	39.9	32.7	4.14	36.9	31.4	4.52
	75	67	53.0	29.6	2.93	50.7	28.7	3.17	48.5	27.8	3.46	46.3	26.9	3.80	43.6	25.7	4.17	40.3	24.3	4.56
1800	80	62	49.7	46.6	3.02	47.5	45.6	3.24	45.2	44.4	3.52	43.1	42.9	3.86	41.0	41.0	4.23	38.4	38.4	4.62
	80	67	53.9	38.2	3.01	51.5	37.2	3.25	49.3	36.2	3.54	46.9	35.2	3.89	44.2	34.5	4.26	40.8	33.2	4.65
	80	72	57.7	30.1	3.01	55.3	29.1	3.26	53.1	28.3	3.55	50.7	27.4	3.90	47.9	26.3	4.28	44.1	24.9	4.67
	75	62	49.6	38.4	3.02	47.3	37.4	3.24	45.1	36.9	3.52	42.8	35.8	3.86	40.3	34.7	4.23	37.2	33.2	4.61
	75	67	53.7	30.7	3.01	51.3	29.8	3.25	49.1	28.8	3.54	46.8	27.8	3.88	44.1	26.6	4.26	40.7	25.2	4.65



GENERAL TERMS OF LIMITED WARRANTY

For complete details of the Limited Warranty, including applicable terms and conditions, see your local installer or contact the Style Crest® warranty department for a copy.

Before purchasing this appliance, read important energy cost and efficiency information available from your retailer. Specifications and illustrations subject to change without notice and without incurring obligations. Printed in U.S.A (03/2022)