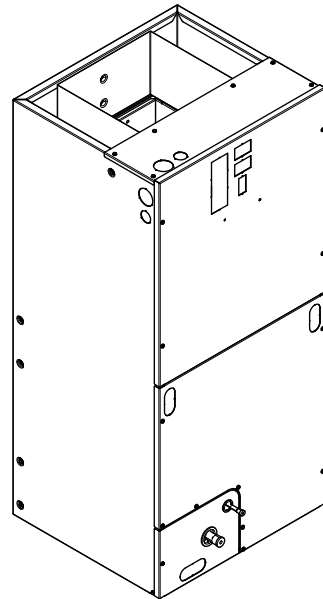


Submittal

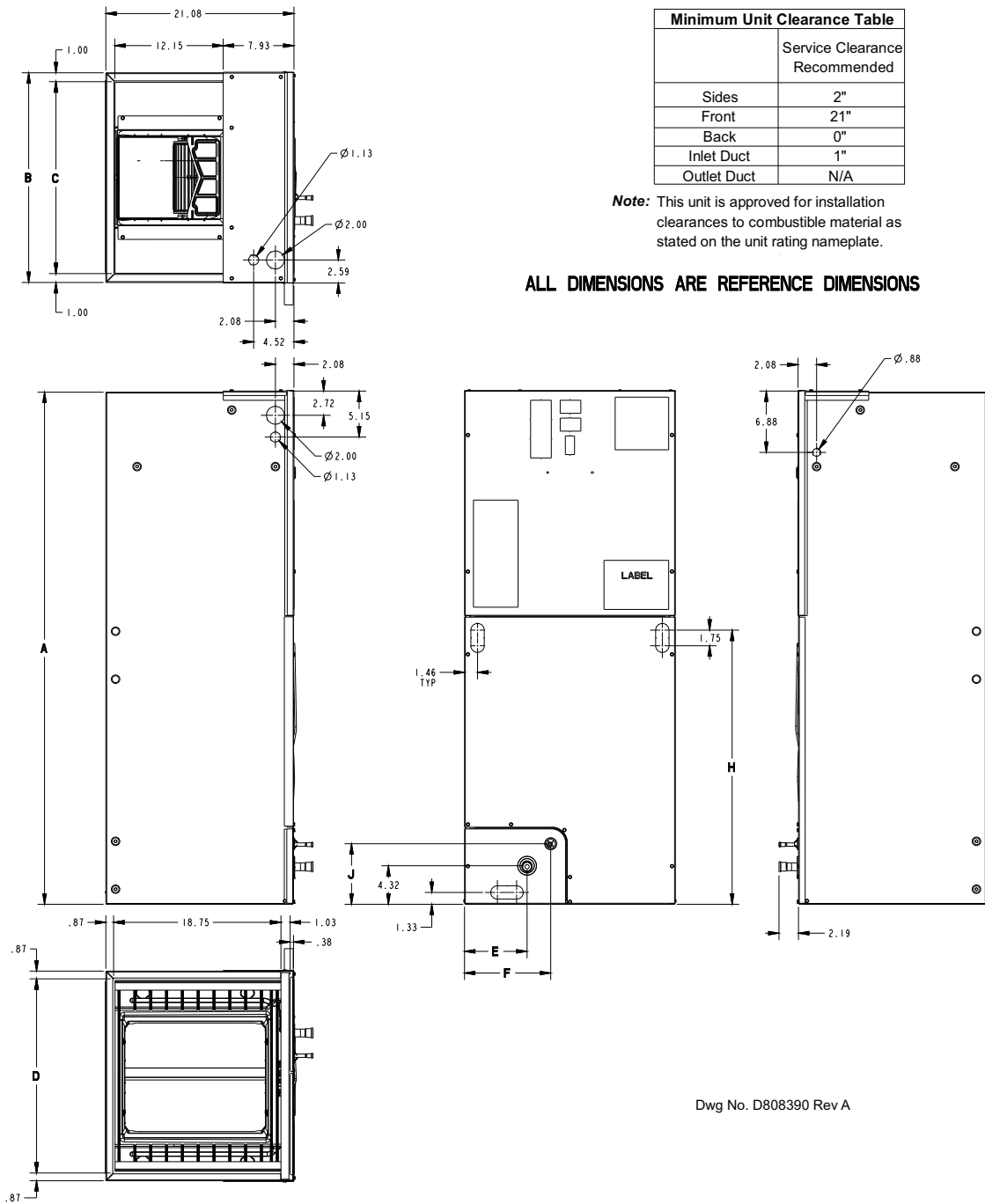
Convertible Air Handler 3 – 4 Ton

A5AHC005A1D30A



The A5AHC series air handler is designed for installation in a closet, utility room, alcove, basement, crawlspace or attic. These versatile units are applicable to air conditioning and heat pump applications. Several models are available to meet the specific requirements of the outdoor equipment. Field installed electric resistance heaters are available.

Outline Drawing



| Minimum Unit Clearance Table | |
|------------------------------|-------------------------------|
| | Service Clearance Recommended |
| Sides | 2" |
| Front | 21" |
| Back | 0" |
| Inlet Duct | 1" |
| Outlet Duct | N/A |

Note: This unit is approved for installation clearances to combustible material as stated on the unit rating nameplate.

ALL DIMENSIONS ARE REFERENCE DIMENSIONS

Dwg No. D808390 Rev A

| PRODUCT DIMENSIONS | | | | | | | | | | |
|--------------------|-------|-------|-------|-------|------|------|-------|------|--------------|----------------|
| Air Handler Model | A | B | C | D | E | F | H | J | Flow Control | Gas Line Braze |
| A5AHC005 | 51.27 | 23.50 | 21.50 | 21.75 | 7.01 | 9.66 | 24.58 | 6.76 | TXV | 7/8 |

All dimensions are in inches

Product Specifications

| | |
|---------------------------------------|----------------------------|
| MODEL | A5AHC005A1D30A |
| RATED VOLTS/PH/HZ | 208-230/1/60 |
| RATINGS^(a) | See O.D. Specifications |
| INDOOR COIL — Type | Plate Fin |
| Rows — F.P.I. | 3 - 14 |
| Face Area (sq. ft.) | 5.50 |
| Tube Size (in.) | 3/8 |
| Refrigerant Control | TXV |
| Drain Conn. Size (in.) ^(b) | 3/4 NPT |
| DUCT CONNECTIONS | See Outline Drawing |
| INDOOR FAN — Type | Centrifugal |
| Diameter-Width (In.) | 11 X 8 |
| No. Used | 1 |
| Drive - No. Speeds | Direct - 8 |
| CFM vs. in. w.g. | See Fan Performance Table |
| No. Motors — H.P. | 1 - 1/2 |
| Volts/Ph/Hz | 208-230/1/60 |
| F.L. Amps | 3.9 |
| FILTER | |
| Filter Furnished? ^(c) | No |
| REFRIGERANT | R-454B |
| Ref. Line Connections | Brazed |

| | |
|-----------------------------------|--------------------------|
| Coupling or Conn. Size — in. Gas | 7/8 |
| Coupling or Conn. Size — in. Liq. | 3/8 |
| DIMENSIONS | H x W x D |
| Crated (In.) | 52-3/4 x 27-1/2 x 25-1/2 |
| Uncrated | 51-3/8 x 23-1/2 x 21-1/8 |
| WEIGHT | |
| Shipping (Lbs.) / Net (Lbs.) | 145/138 |

(a) These Air Handlers are A.H.R.I certified with various Split System Air Conditioners and Heat Pumps (AHRI STANDARD 210/240). Refer to the Split System Outdoor Unit Product Data Guides for performance data.

(b) 3/4" Male Plastic Pipe (Ref: ASTM 1785-76)

(c) Remote filter required.

Minimum Airflow CFM

| A5AHC005A1D30A | | |
|--|------------------------|-------------------|
| Heater | Minimum Heat Speed Tap | |
| | With Heat Pump | Without Heat Pump |
| BAYHTR1504BRK, BAYHTR1504LUG, BAYHTR1505BRK, BAYHTR1505LUG | TAP 2 | TAP 2 |
| BAYHTR1508BRK, BAYHTR1508LUG, BAYHTR1510BRK, BAYHTR1510LUG | TAP 4 | TAP 4 |
| BAYHTR1523BRK | TAP 4 | TAP 3 |
| BAYHTR1517BRK, BAYHTR3517LUG, BAYHTR3510LUG | TAP 5 | TAP 3 |

Heater Pressure Drop Table

| Airflow CFM | Number of Racks | | | | Heater Racks | |
|----------------|---------------------------------|------|------|------|--------------|--------------|
| | 1 | 2 | 3 | 4 | Heater Model | No. of Racks |
| | Air Pressure Drop — Inches W.G. | | | | | |
| 1800 | 0.02 | 0.04 | 0.06 | 0.14 | BAYHTR1504 | 1 |
| 1700 | 0.02 | 0.04 | 0.06 | 0.14 | BAYHTR1505 | 1 |
| 1600 | 0.02 | 0.04 | 0.06 | 0.13 | BAYHTR1508 | 2 |
| 1500 | 0.02 | 0.04 | 0.06 | 0.12 | BAYHTR1510 | 2 |
| 1400 | 0.02 | 0.04 | 0.06 | 0.12 | BAYHTR1517 | 3 |
| 1300 | 0.02 | 0.04 | 0.05 | 0.11 | BAYHTR3510 | 3 |
| 1200 | 0.01 | 0.04 | 0.05 | 0.10 | BAYHTR3517 | 3 |
| 1100 | 0.01 | 0.03 | 0.05 | 0.09 | BAYHTR1523 | 4 |
| 1000 | 0.01 | 0.03 | 0.04 | 0.09 | BAYHTR1525 | 4 |
| 900 | 0.01 | 0.03 | 0.04 | 0.08 | | |
| 800 | 0.01 | 0.03 | | | | |
| 700 | 0.01 | 0.02 | | | | |
| 600 | 0.01 | 0.02 | | | | |

Performance and Electrical Data

Table 1. Air Flow Performance

| A5AHC005A1D30A | | | | |
|-----------------------------|---------------------------|---------|-------|-------|
| EXTERNAL STATIC (in w.g) | AIRFLOW | | | |
| | Speed Taps: 208-230 VOLTS | | | |
| | TAP 2 | TAP 3 † | TAP 4 | TAP 5 |
| 0.1 | 1266 | 1340 | 1425 | 1577 |
| 0.2 | 1214 | 1286 | 1384 | 1535 |
| 0.3 | 1163 | 1242 | 1335 | 1494 |
| 0.4 | 1114 | 1195 | 1290 | 1452 |
| 0.5 | 1057 | 1144 | 1246 | 1410 |
| 0.6 | 996 | 1087 | 1187 | 1367 |
| 0.7 | 931 | 1026 | 1128 | 1319 |
| 0.8 | 853 | 961 | 1071 | 1268 |
| 0.9 | 779 | 889 | 1005 | 1211 |

Notes:

- TAP 1 is not an airflow selection. Black wire must always be on TAP 1.
- Values are with wet coil, no filter, and no heaters.
- CFM correction for dry coil = add 3%.
- † = factory setting

Performance and Electrical Data

Table 2. Electrical Data

| A5AHC005A1D30A | | | | | | | | | | | |
|--|----------------------------|----------|-------|-------------------------------|--------------------------------|-----------------------------------|----------|-------|-------------------------------|--------------------------------|-----------------------------------|
| Heater Model No. | No. of Circuits/ Phases | 240 Volt | | | | | 208 Volt | | | | |
| | | Capacity | | Heater Amps per Circuit | Minimum Circuit Ampacity | Maximum Overload Protection | Capacity | | Heater Amps per Circuit | Minimum Circuit Ampacity | Maximum Overload Protection |
| | | kW | BTUH | | | | kW | BTUH | | | |
| No Heater | | | | 4.1* | 5 | 15 | | | 4.1* | 5 | 15 |
| BAYHTR1504BRK BAYHTR1504LUG | 1/1 | 3.8 | 13100 | 16.0 | 25 | 25 | 2.9 | 9800 | 13.8 | 22 | 25 |
| BAYHTR1505BRK BAYHTR1505LUG | 1/1 | 4.8 | 16400 | 20.0 | 30 | 30 | 3.6 | 12300 | 17.3 | 27 | 30 |
| BAYHTR1508BRK BAYHTR1508LUG | 1/1 | 7.7 | 26200 | 32.0 | 45 | 45 | 5.8 | 19700 | 27.7 | 39 | 40 |
| BAYHTR1510BRK BAYHTR1510LUG | 1/1 | 9.6 | 32800 | 40.0 | 55 | 60 | 7.2 | 24600 | 34.6 | 48 | 50 |
| BAYHTR1517BRK- Circuit 1 ^(a) | 2/1 | 9.6 | 32800 | 40.0 | 55 | 60 | 7.2 | 24600 | 34.6 | 48 | 50 |
| BAYHTR1517BRK- Circuit 2 | | 4.8 | 16400 | 20.0 | 25 | 25 | 3.6 | 12300 | 17.3 | 22 | 25 |
| BAYHTR1523BRK- Circuit 1 | 2/1 | 9.6 | 32800 | 40.0 | 55 | 60 | 7.2 | 24600 | 34.6 | 48 | 50 |
| BAYHTR1523BRK- Circuit 2 | | 9.6 | 32800 | 40.0 | 50 | 50 | 7.2 | 24600 | 34.6 | 43 | 45 |
| BAYHTR3510LUG | 1/3 | 9.6 | 32800 | 23.1 | 33 | 35 | 7.2 | 24600 | 20.0 | 30 | 30 |
| BAYHTR3517LUG | 1/3 | 14.4 | 49100 | 34.6 | 48 | 50 | 10.8 | 36900 | 30.0 | 48 | 50 |
| BAYHTR1517BRK with single circuit power source kit BAYSPEKT201A | 1/1 | 14.4 | 49100 | 60.0 | 80 | 80 | 10.8 | 36900 | 51.9 | 70 | 70 |
| BAYHTR1523BRK with single circuit power source kit BAYSPEKT201A | 1/1 | 19.2 | 65500 | 80.0 | 105 | 105 | 14.4 | 49100 | 69.2 | 91 | 95 |

Note: * = Motor Amps

^(a) MCA and MOP for circuit 1 contains the motor amps.

Features and Benefits

- Painted metal cabinet with captured foil face insulation
- 2% or less air leakage
- R-4.2 Insulating Value
- Multi-Position UP/Down Flow, Horizontal Left /Right
- ALL Aluminum Coil
- Electric Heaters with polarized plug connections (sold as accessory)
- R-454B Thermal Expansion Valve
- ECM Motor
- Low Voltage Pigtail Connections
- Draw Through Design
- Horizontal Drain pan
- Fused 24V Power
- **5 Year Warranty**
- **Optional extended warranty available**

Important: Condensate management kit is required for all 5 ton air handler models installed in downflow applications.

About Trane and American Standard Heating and Air Conditioning

Trane and American Standard create comfortable, energy efficient indoor environments for residential applications. For more information, please visit www.trane.com or www.americanstandardair.com.



The manufacturer has a policy of continuous data improvement and it reserves the right to change design and specifications without notice. We are committed to using environmentally conscious print practices.