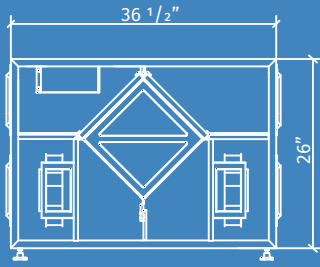


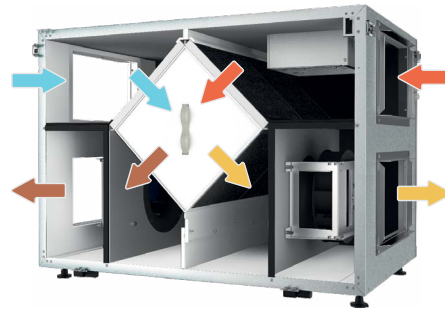
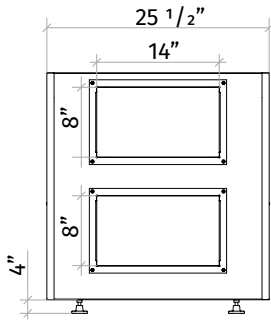
# AIRLITE HRV

Heat recovery ventilators  
for commercial applications



HRV 8  
HRV 17  
HRV 25

AIRLITE heat recovery ventilators are available in three sizes with one, two or three fans in array on both supply and exhaust sides. Units are specially designed for commercial applications.



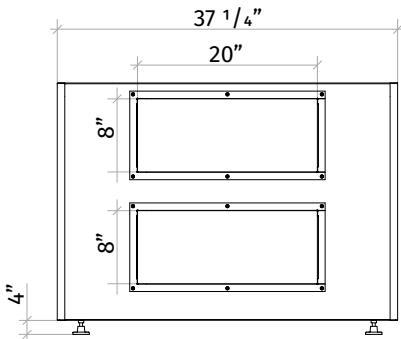
### CASING

Steel casing is covered with high quality multilayer aluminium and zinc alloy to prevent corrosion. The casing is equipped with a switch to turn the ventilator off when the service panel is opened. Service access from both left and right side.

### HEAT RECOVERY CORE

Unique plate heat exchanger is made of aluminium and designed for high-efficient heat recovery. The stainless steel drain pan is located on the inlet and outlet sides.

HRV 8



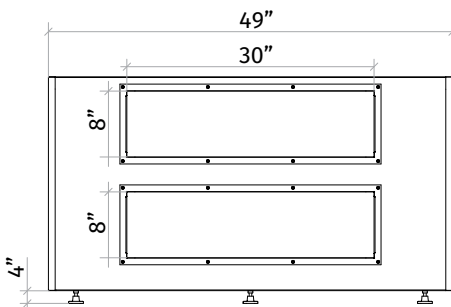
### FANS

The unit is equipped with supply and exhaust centrifugal fans with backward curved blades and built-in thermal overheating protection with automatic restart. The electric motors and impellers are dynamically balanced.

### DEFROST SYSTEM

Fan stop defrost system is activated when the outdoor temperature falls below 23° F (-5° C).

HRV 17



### FILTER

Washable MERV 6 air filters in exhaust and supply air streams.

### CONTROL

The unit incorporates an integrated automation and control system with following functions:

- Operation mode switch.
- Airflow balancing by supply and exhaust fan independent speed adjustment.
- Automatic recovery core frost protection.
- External control device connection.

HRV 25

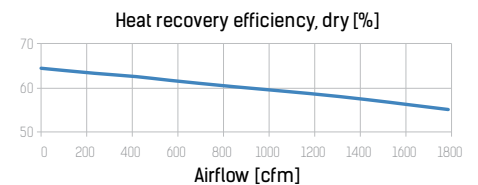
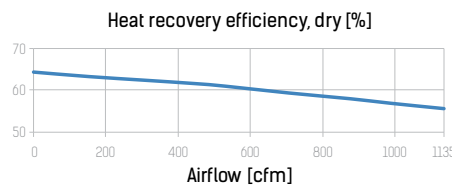
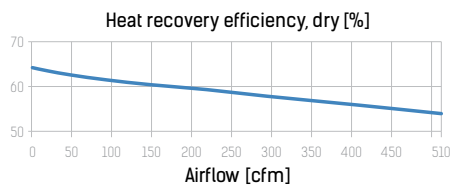
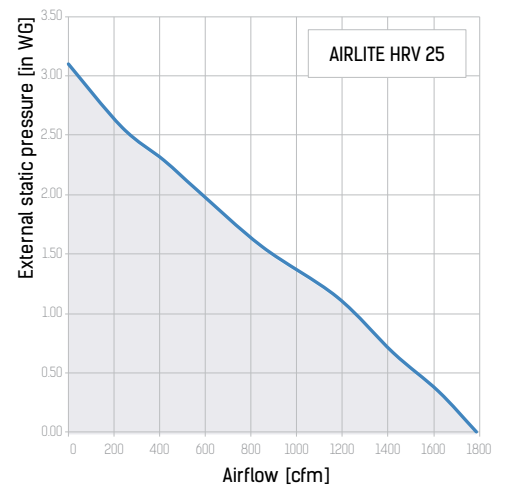
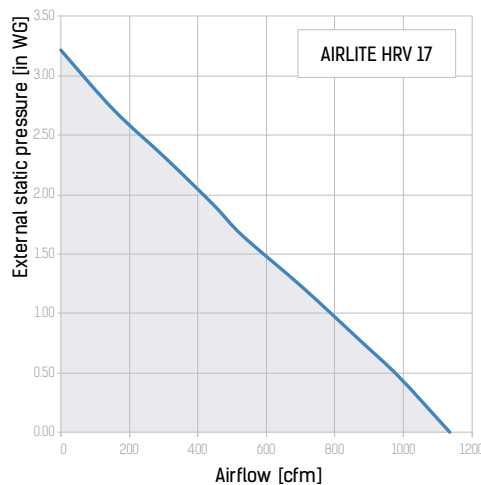
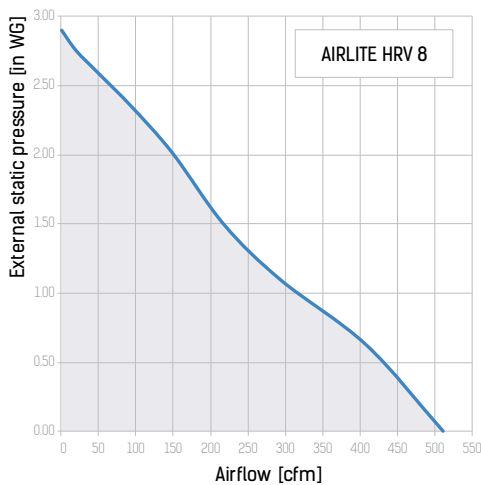




Select your unit online just in few clicks  
and see the complete technical specification at the website  
[vents-selector.com](http://vents-selector.com)

## TECHNICAL DATA

Parameters	AIRLITE HRV 8	AIRLITE HRV 17	AIRLITE HRV 25
Voltage [V / 60 Hz]	1 ~ 120	1 ~ 120	1 ~ 120
Unit power [W]	640	1330	2010
Unit current [A]	5.4	11.1	16.9
Sensible effectiveness @ max airflow [%]	54	56	55
Air flow @ ESP 0.4" WG [cfm]	450	1000	1600
Air flow max [cfm]	510	1135	1785
Transported air temperature [F]	-35 up to +140	-35 up to +140	-35 up to +140
Outer skin casing material	21 gauge galvanized steel	21 gauge galvanized steel	21 gauge galvanized steel
Insulation	1" mineral wool	1" mineral wool	1" mineral wool
Connected air duct size [in]	8x14	8x20	8x30





VENTS-US reserves the rights to modify any of its products' features, designs, components and specifications at any time and without notice to maintain the development and quality of manufactured goods.

VentsUS.com  
05 | 2019

Tel: 888-640-0925,  
513-348-3853  
Fax: 513-268-4597  
Sales@ventsus.com

11013 Kenwood Road,  
Cincinnati, Ohio 45242