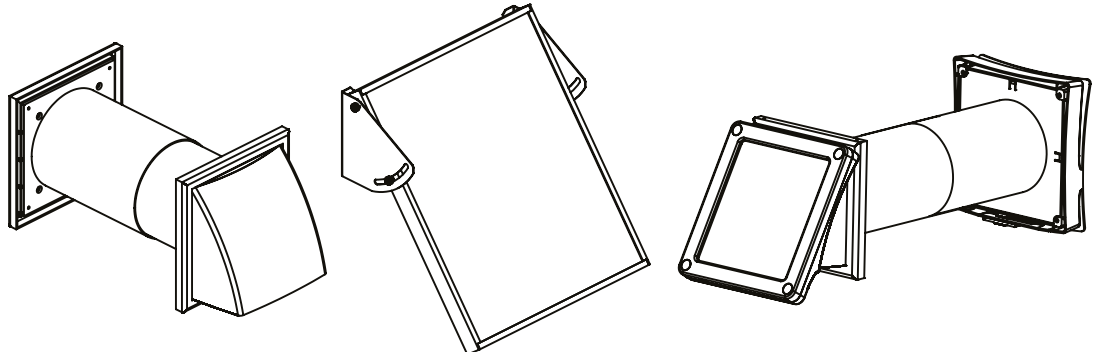


INSTALLATION GUIDE

IN-LINE CENTRIFUGAL FAN PSS 102



Tools required



Pencil



Drill



Screwdriver



Dowel

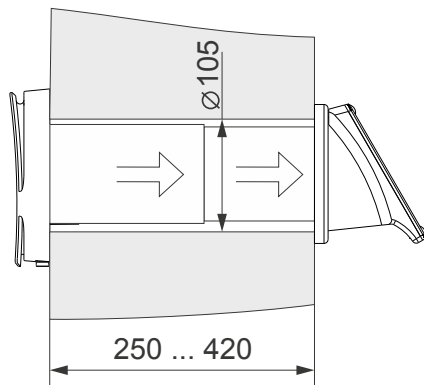


Screws

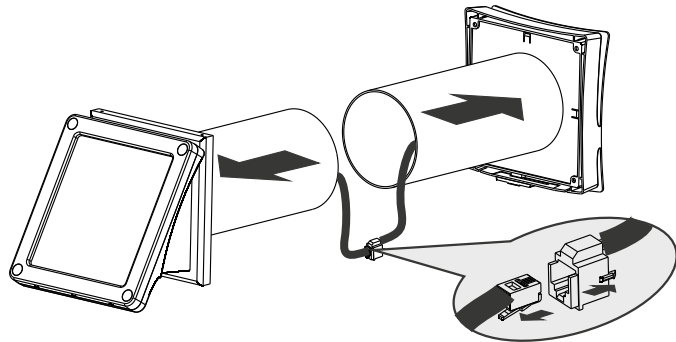
MOUNTING

Installation of the built-in solar battery and external unit of ventilator

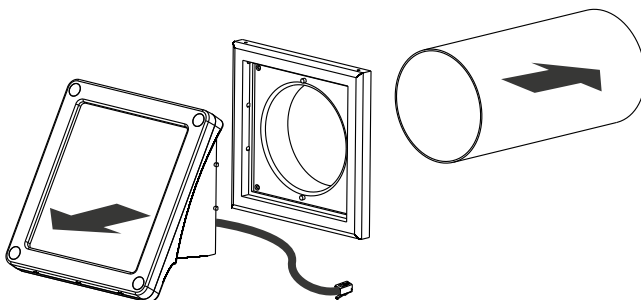
1. Typical Fan installation



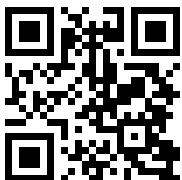
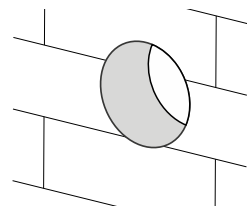
2. Disassemble the telescopic air duct and disconnect the connectors



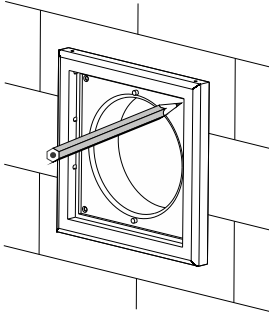
3. Disassemble the front panel of the ventilator



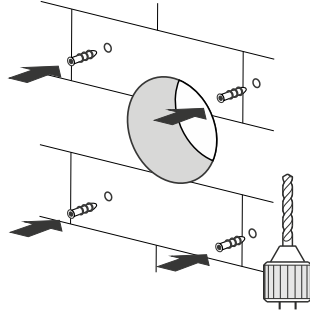
4. Drill a core hole in the wall



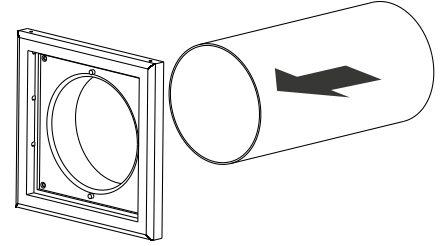
5. Mark fastening holes



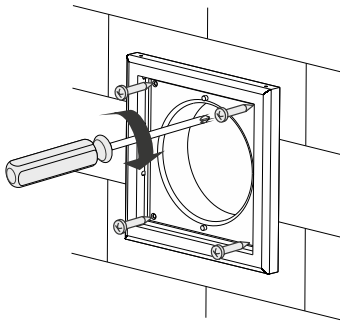
6. Drill fastening holes



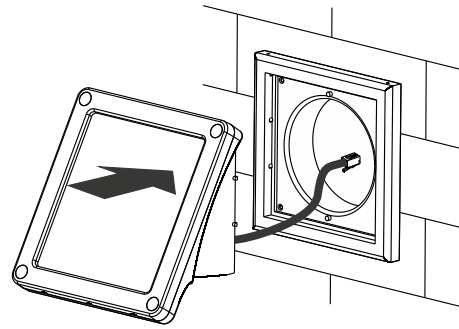
7. Insert the duct into the back of the front panel



8. Fix the back side of the front panel to the mounting surface with screws

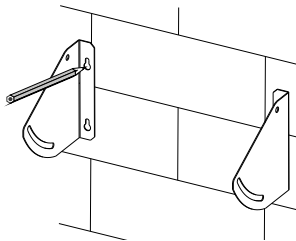


9. Install the front panel

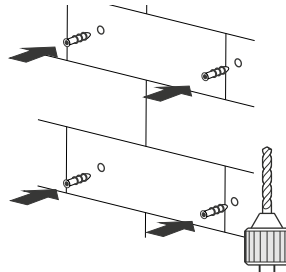


Installation of the remote solar battery

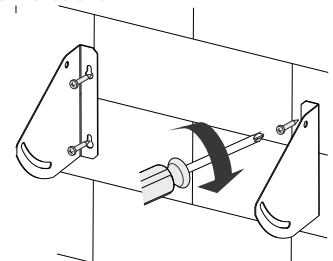
10. Mark fastening holes



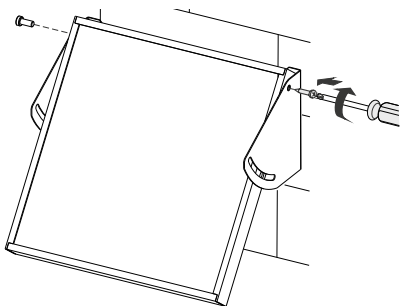
11. Drill fastening holes



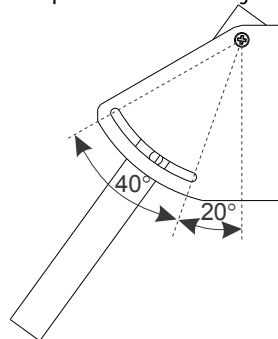
12. Fix the mounting brackets to the mounting surface with screws



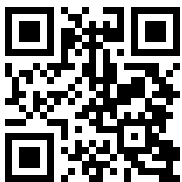
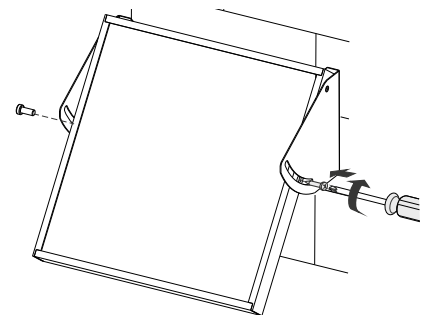
13. Fix the panel in the selected position



14. Set the panel at the desired angle

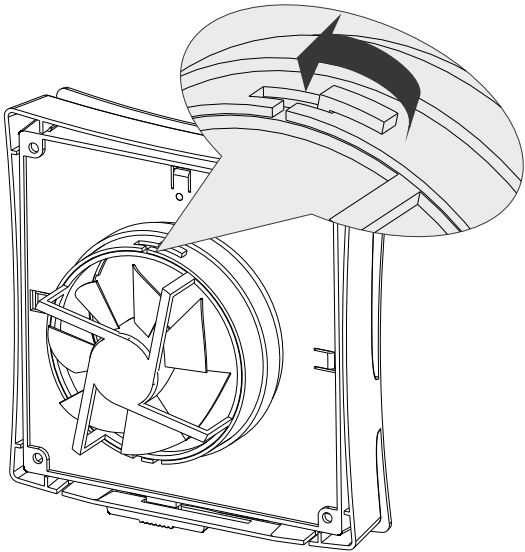


15. Fix panel with screws

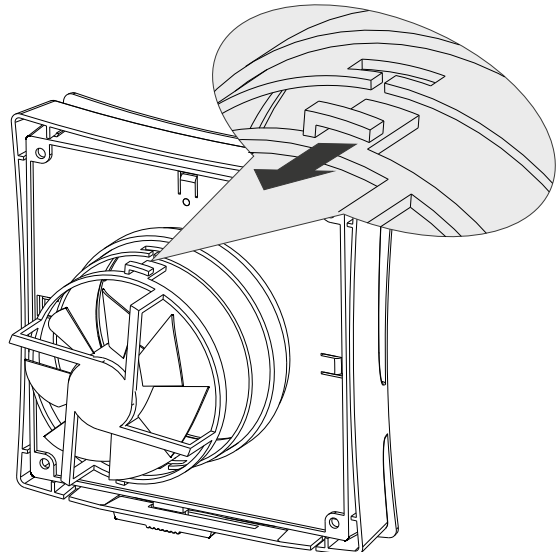


Changing the air flow direction

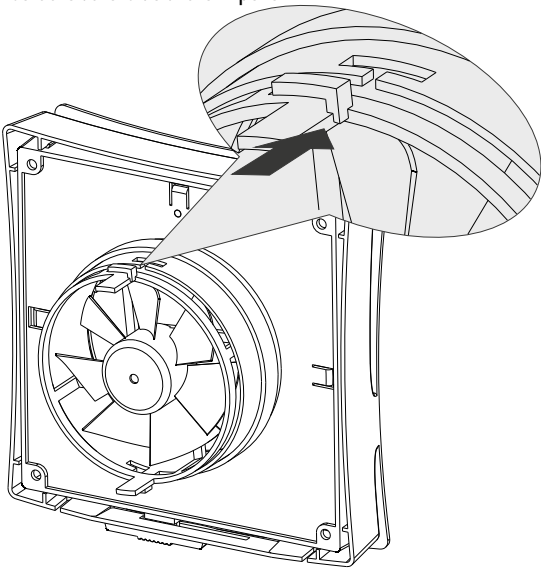
16. Turn the impeller



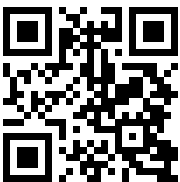
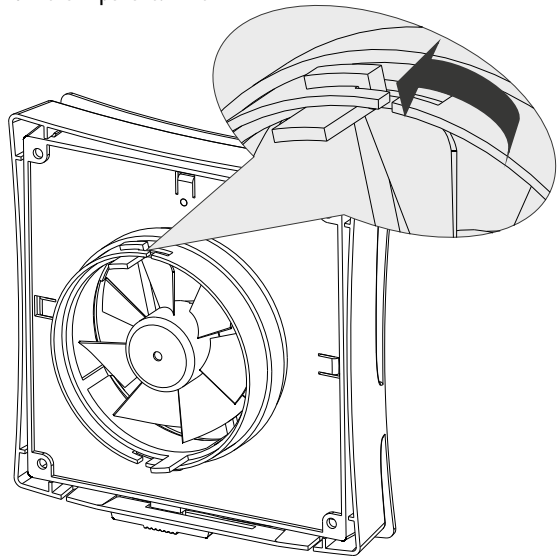
17. Remove the impeller



18. Insert the other side of the impeller

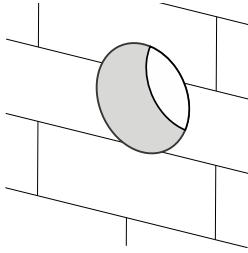


19. Turn the impeller to fix it

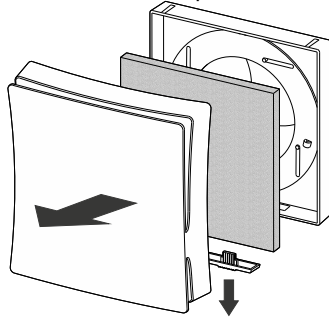


Installation of the ventilator internal unit

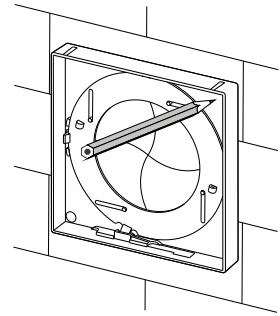
20. Drill a core hole in the wall



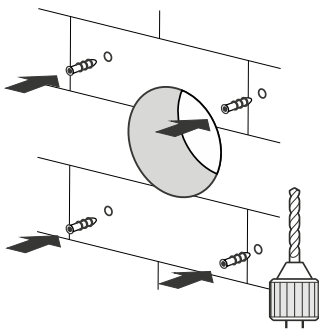
21. Disassemble the front panel of the ventilator



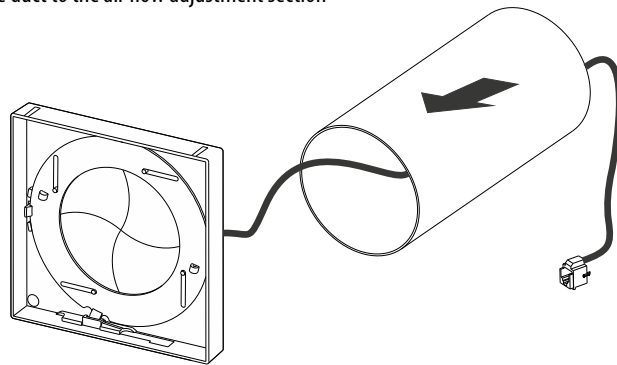
22. Mark fastening holes



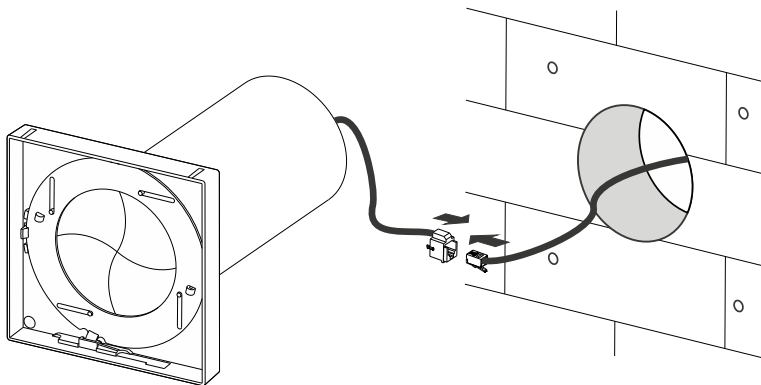
23. Drill fastening holes



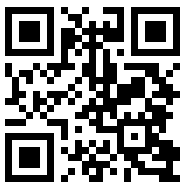
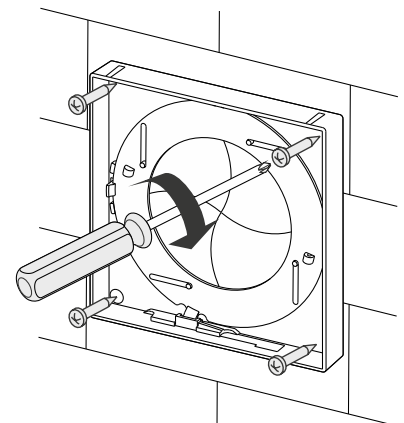
24. Attach the duct to the air flow adjustment section



25. Connect the connectors and insert the air duct into the wall hole

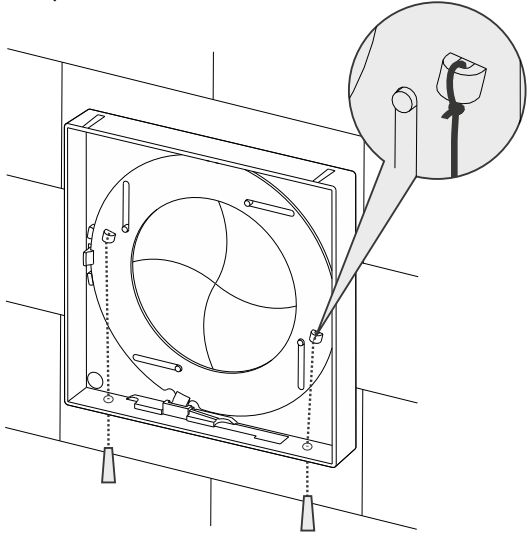


26. Fix the back side of the wall vent to the mounting surface with screws

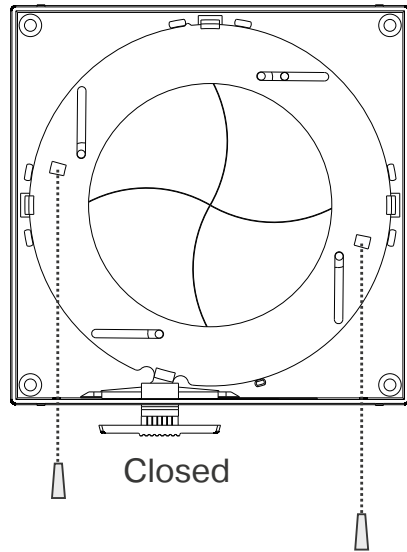


Ventilator flow section adjustment

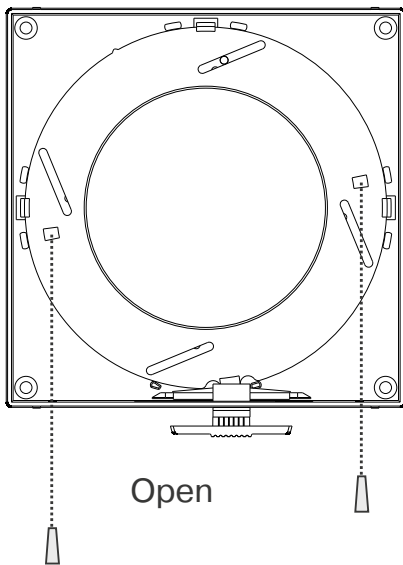
27. Set the pull-cord switch



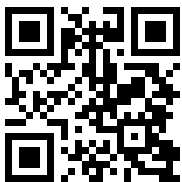
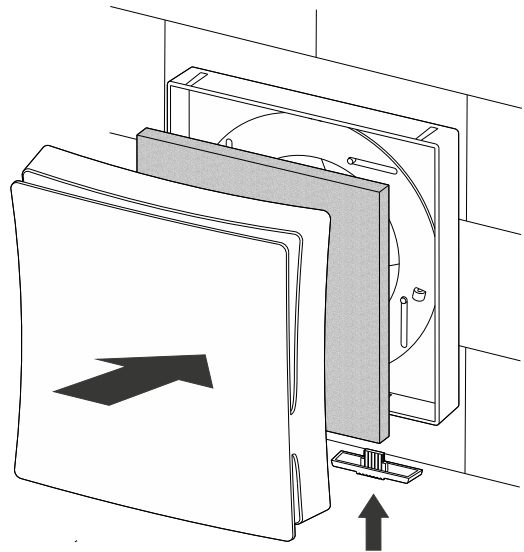
28. Adjusting the air flow with a pull-cord switch



29. Adjusting the air flow with a pull-cord switch

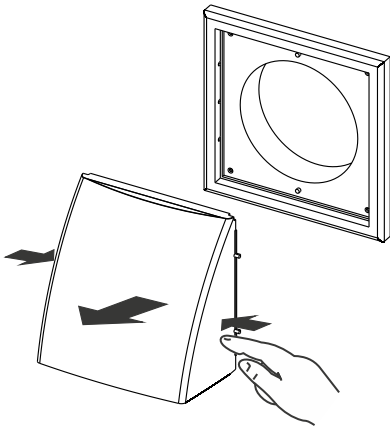


30. Fix the front panel of the ventilator

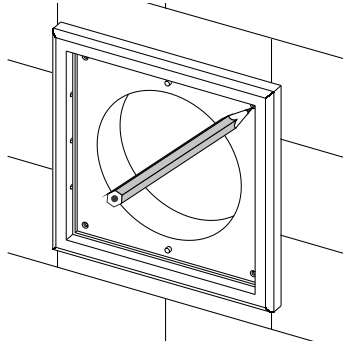


Installation of the ventilator external unit

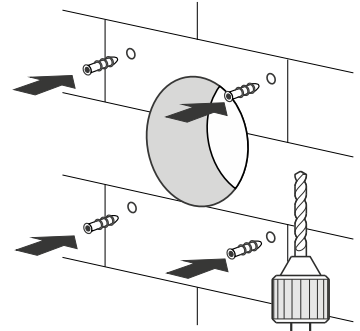
31. Remove the rear panel



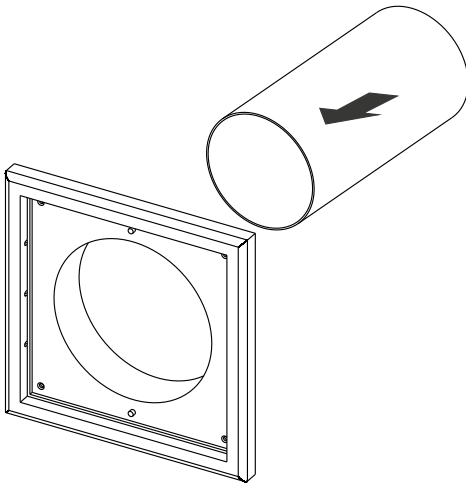
32. Mark fastening holes



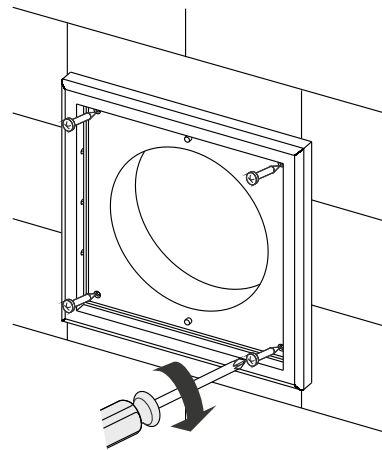
33. Drill fastening holes



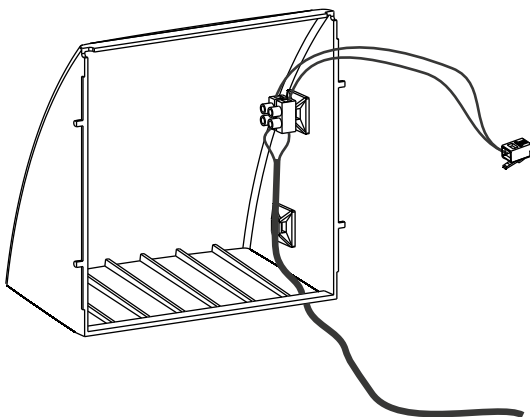
34. Insert the duct into the back of the rear panel



35. Fix the back side of the rear panel to the mounting surface with screws



36. To remote battery



37. Fix the rear panel

