



BIG ASS FANS

POWERFOIL[®] 6

BIG AIR. BOLD MOVE.



ENTRY LEVEL? ONLY IN PRICE.

Heat and stagnant air can slow your operations to a crawl. Keep the air—and your people—moving with Powerfoil 6. This isn't some stripped-down budget fan. It's a fully wired, factory-tested workhorse with efficient installation that moves serious air with Big Ass confidence. From its precision-engineered gearbox to its bold branded finishes, Powerfoil 6 brings top-tier performance to your facility without blowing your budget.

BENEFITS

- Industry-leading, redundant safety systems
- Fully wired and factory tested
- Variable speed operation
- Branded hub and VFD covers
- Improves energy efficiency
- Up to 7 years mechanical warranty; up to 5 years electrical warranty



KEY FEATURES

- Six aluminum airfoils with winglets and safety restraints
- Sealed helical gearbox and industrial motor
- 8'–24' diameter options
- Mounts to I-beams, bar joists, solid beams, and purlins



FOR MORE INFORMATION

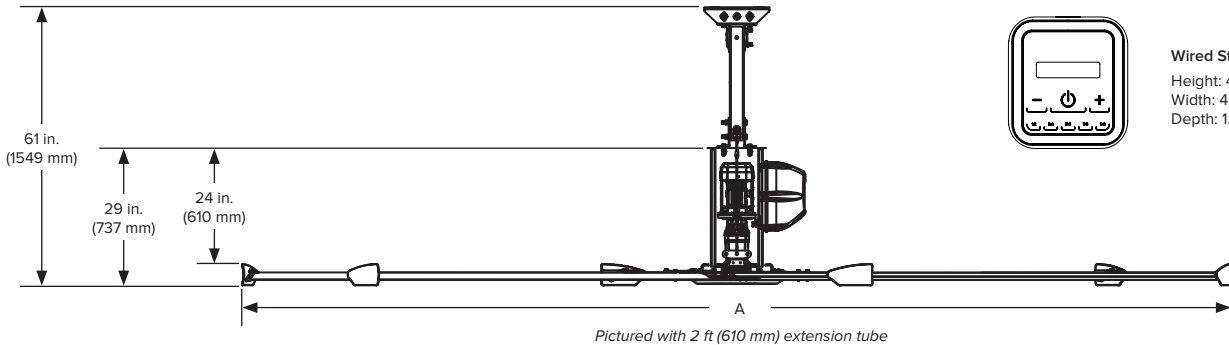
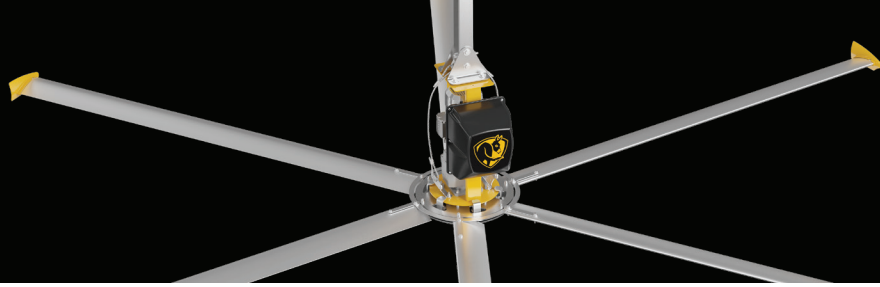
Visit bigassfans.com/contact-us or call **877.BIG.FANS** to learn more about Powerfoil 6.



BIG ASS FANS

POWERFOIL 6

TECHNICAL SPECIFICATIONS



Wired Standard Control
 Height: 4.86 in. (123 mm)
 Width: 4.54 in. (115 mm)
 Depth: 1.3 in. (29 mm)

Technical Specifications

Diameter (A)	Max Weight ¹	Max Speed	Input Power and Required Breaker	Motor Horsepower	Airfoil Clearances ²	Max Operating Temperature	Sound at Max Speed ³
8 ft (2.4 m)	124 lb (56.2 kg)	183.8 RPM	200–240 VAC, 50/60 Hz, 1 Φ, 20 A 200–240 VAC, 50/60 Hz, 3 Φ, 15 A 400–480 VAC, 50/60 Hz, 3 Φ, 10 A	1.0 hp (0.75 kW)	2 ft (0.6 m) on sides	104°F (40°C)	< 55 dBA
10 ft (3.0 m)	135 lb (61.2 kg)	152 RPM		1.0 hp (0.75 kW)	4 ft (1.2 m) below ceiling		
12 ft (3.7 m)	185 lb (83.9 kg)	125.3 RPM		1.5 hp (1.1 kW)	2 ft (0.6 m) on sides		
14 ft (4.3 m)	192 lb (87.1 kg)	100.6 RPM		1.5 hp (1.1 kW)	5 ft (1.5 m) below ceiling		
16 ft (4.9 m)	204 lb (92.5 kg)	86.1 RPM		1.5 hp (1.1 kW)	2 ft (0.6 m) on sides		
18 ft (5.5 m)	210 lb (95.3 kg)	79.3 RPM		2.0 hp (1.5 kW)	6 ft (1.8 m) below ceiling		
20 ft (6.1 m)	217 lb (98.4 kg)	70.3 RPM		2.0 hp (1.5 kW)	2 ft (0.6 m) on sides		
24 ft (7.3 m)	231 lb (104.8 kg)	52.6 RPM		2.0 hp (1.5 kW)	7 ft (2.1 m) below ceiling		

Construction Features

Airfoils	Motor and Onboard VFD	Mounting	Multi-Point Safety ⁴	Colors
Six patented Powerfoil airfoils (mill finish) Powerfoil winglets eliminate wind noise (BAF yellow)	Industrial-grade motor and gearbox feature inline helical-cut gears for efficient, durable, and reliable operation; lubricated for life with synthetic oil Onboard, pre-wired NEMA 4X VFD housed in spacious ABS/PVC-based enclosure with built-in heatsink	Standard upper mount installs to I-beams and bar joists Extension tubes available in 1, 2, 3, 4, 5, 10, or 15 ft lengths (0.3, 0.6, 0.9, 1.2, 1.5, 3, or 4.6 m lengths) Optional kits allow for mounting to solid beams and purlins	Double safety cable system, airfoil retainers, hub safety clips, Grade 8 hardware, fire relay, guy wires, and airfoil restraint system	Standard colors are silver and yellow. Individualize your fan with one of our classic color upgrades, or work with our design consultants to create a shade that's all your own.

Controls

Wired Standard Control	BAFCon Upgrade ⁵	Integrations
Made from durable UV-resistant materials Rated IP55 Intuitive touchscreen interface On/Off and variable speed control Password protection Powered by fan drive	Integrated SmartSense technology automatically adjusts fan speed based on seasonal conditions 24-bit color LCD display with resistive touchscreen protected in sleek metal and ABS housing Powered by fan drive	Building automation systems (Modbus-RTU protocol or BACnet adapter) Fire suppression systems

Wired Standard Control



¹ Weight does not include mount or extension tube.
² Measure the distance from the tip of the winglet to the ceiling or major obstruction.
³ Fans are sound tested at maximum speed in a laboratory environment. Actual results in field conditions may vary due to sound reflecting surfaces and environmental conditions.
⁴ Airfoil restraint system comes standard on 20–24 ft (6.1–7.3 m) fans and is an option for smaller diameter fans. The fire relay must be wired during install if required by local code. Guy wires are included with fans that have extension tubes 4 ft (1.2 m) or longer.
⁵ Optional upgrade available; ships separately.



Lead times may vary.
 See full warranty for coverage information.



USA
 BIGASSFANS.COM
 877.244.3267

CANADA
 BIGASSFANS.COM
 844.924.4277

AUSTRALIA
 BIGASSFANS.COM/AU
 1300.244.277

SINGAPORE
 BIGASSFANS.COM/SG
 65.6709.8500